



The UK's leading manufacturer
of physical security products

SeceuroDoor Price List



October 2016, Issue No 05
All prices are in pounds sterling excluding VAT.

Delivery, Packing & Warranties

DELIVERY SERVICE

Our standard delivery service covers England and Wales weekly, Scotland and Ireland fortnightly.

Pricing includes delivery on all orders over £400 on our standard weekly service to England and Wales. Additional chargeable deliveries can often be arranged with Customer Services. We also offer home/site delivery service options with one or two men depending on the size of delivery and site conditions.

Delivery confirmations for our own dedicated service will be emailed or texted the previous afternoon if AM or PM the following working day. Please ensure an email address and/or mobile number is supplied on your order.

DELIVERY CHARGES

Over £400 net on standard run	Nil
Under £400 net on standard run	£40.00
All orders required on a different day to standard delivery run	POA
Collection from distribution depot	Nil
Pre agreed time slot for standard deliveries	£45.00
Site delivery charge one man offload	£60.00 extra
Site delivery charge two man offload	£100.00 extra
Redelivery of goods	£37.50 extra
Deliveries to Scotland	£35.00 per drop
Deliveries to Ireland	£65.00 per drop

Commercial Shutter charges

Over £500 up to £1999 on standard run	Nil
Over £2000 up to £4999 on standard run	£50 Due to weight
Over £5000 on standard run	£75 Due to weight

Carrier Services	Price £
Component items up to 5 kg (Including singular tube motors)	£10.00
Component items up to 20 kg	£28.00
Delivery & packaging of fragile items over 20 kg	£70.00
Pre 10.30 am	£37.50 extra
Pre noon	£27.50 extra
Saturday pre noon	£47.50 extra

Additional surcharges apply on the following:

Ireland, Isle of Man, Channel Islands & Scottish off shore	£70.00
Isle of Wight, Grampian & Highlands	£25.00
Devon & Cornwall	£12.50

*Packaged orders over 6.1m require specific pricing and delivery arrangements, please contact Customer Services.

Next day palletised deliveries are available:

Sizes are: 1.2, 2.4, 3.6 & 4.8 m. Please allow 200 mm for packaging. Palletised deliveries over 3.6 m are only available on a 3 day run.

Prices are available from Customer Services.

Due to delays we are unable to deliver to shipping companies located near shipping ports.

LOCAL COLLECTIONS

For urgent orders in certain areas of the country collection is possible from our 4 distribution depots

Scotland (Livingston) 6 Oakbank Park Place Mid Calder Livingston EH53 0TN	South West (Bristol) Nightfreight (GB) Ltd 18 Pucklechurch Trading Estates Bristol BS16 9QH
Midlands (Willenhall) Nightfreight (GB) Ltd Unit 1 Bays 1, 2, 3 East Acre, Off Long Acre Willenhall WV13 2JZ	South East (Heathrow) DX Logistics Units 2, 3, 4 Lakeside Industrial Estate Lakeside Road Colbrook SL3 0ED

COMPONENT ORDERS

All small component orders required next day **must be received by 2 pm the day before** delivery. Orders placed on a Friday **must be received by 12 noon for delivery on Monday**.

If you require powder-coated items, please allow an additional 24 hours at least from the receipt of order. Items for assembly need to be booked in for manufacturing – for example complete shutter curtains. Please allow a minimum of three working days depending on the delivery method.

Regrettably it is not possible to send items over 5 m in length by overnight carriers.

IMPORTANT DELIVERY NOTE

The most cost effective and safest way of delivering orders is via our own transport. Please try to tie orders in with your normal delivery runs wherever possible.

In the event of using a carrier, we need to use reinforced packaging.

CRATE CHARGES

We can offer delivery by crate on a POA basis. Please speak to Customer Services.

PACKAGING

Over recent years we have refined our use of packaging to reduce the likelihood of goods being damaged in transit.

- Shutter boxes are packed individually using bubble wrap and / or cardboard.
- Curtains / guide rails are packaged using bubble wrap and / or cardboard.
- Aluminium packers are typically packaged with guide rails on the same order.

- Where overnight carriers are used, curtains and guide rails are also wrapped in bubble wrap and cardboard.
- With the exception of spring operation, shutters are supplied with an accessory box containing: switches, swivel belts, crank handles, keys and installation documentation as appropriate.
- Water resistant film can be added to cardboard packages at additional cost.

DELIVERY CHECK-LIST

A. Pre-delivery

- A postcode must be supplied for all delivery addresses.
- We currently operate a range of delivery vehicles. It is therefore important to check the lorry's dimensions when arranging a delivery for the first time.
- If you require a delivery to site you must supply us with a contact name and a contact telephone number of the person who will assist the driver to unload.

B. Receipt of goods – own premises

- We require a person to assist off-load, check and sign for goods.
- For large deliveries, please ensure you have several people to assist, this will minimise any delays for subsequent customers.
- Deliveries received must be checked before signing the delivery note. It is not possible to claim compensation for damaged or missing items unless highlighted on the drivers delivery notes. If possible take a copy of this documentation for future reference.

C. Receipt of goods – to site

- Deliveries will only be made to site if an installer is present to assist the driver with unloading and to check and sign for the goods.
- For large deliveries, please ensure you have several people to assist, this will minimise any delays for subsequent customers.
- Before the goods arrive, please prepare a location to unload and store the items safely and securely.
- Deliveries received by overnight carrier must be checked before signing the delivery note. It is not possible to claim compensation for damaged or missing items unless highlighted on the drivers delivery notes. If possible take a copy of this documentation for future reference

D. Claims for damages

- Please check the contents of your order against the delivery note on the day received. Care should be taken when using sharp objects to cut through the packaging.

- Claims for missing or damaged items will only be processed if the drivers delivery note has been signed for as damaged or missing and must be reported within 2 days of delivery.

IF YOU SUSPECT DAMAGE Please fully inspect the product prior to signing. If the product is damaged, clearly state "DAMAGED" when signing the consignment note. Signing as "Unchecked" is insufficient.

WARRANTIES

SeceuroShield products are guaranteed against defect of material or workmanship by SWS UK, subject to the correct installation, maintenance and operation for a period of 2 years from the date of purchase and SeceuroDoor products for 1 year. In addition, the tubular motors used on the shutter range are guaranteed for 5 years against faulty materials and workmanship.

Where a warranty is upheld, SWS UK will supply all necessary parts to enable distributors / installers to complete a satisfactory repair. The warranty terms do not extend to cover labour and consequential loss arising from any claim.

RETURN & REPLACEMENT PARTS

Occasionally it may be necessary to return an item to us. Please contact Customer Services for an NCR number and ensure that the product is packed appropriately and clearly labelled with the number given.

The return goods note is a two part document, there is a copy for you to retain and a copy to be sent back with the goods. If the goods are being returned by post, please send this for the attention of the Quality Department with the returns note. Should you require the goods to be collected by SWS UK, please contact Customer Services to arrange this. Collections by SWS UK will be made within 10 working days of notification in most cases.

Replacement parts

Before requesting any replacement parts, please ensure that a Damage Identification Sheet is completed and returned to customerservice@swsuk.co.uk along with a photograph. Your parts will then be despatched by the most effect method of transport. If you have any queries, please contact Customer Services.

CONDITIONS OF SALE

All goods are offered for sale in accordance with our standard conditions of sale, a copy of which is available on request, and is reproduced on our web site www.swsuk.co.uk.

Contents

Tubular	4-9
SeceuroShield 75	4-7
SeceuroShield 7501	8
SeceuroDoor 77t	9
Industrial	10-19
SeceuroDoor 75	10-13
SeceuroDoor 77	14 & 15
SeceuroDoor 95	16 & 17
SeceuroDoor 100	18 & 19
Manual	20-25
SeceuroDoor 75c	20-23
SeceuroDoor 77c	24 & 25
SeceuroDoor Extras	26
Powder Coating	27
SeceuroDoor Drawings	28-33
SeceuroDoor Order Forms	34-38
Notes	39
Contact Details	40

SeceuroDoor Product Matrix

		Overall Maximum Sizes (mm)	Slats		Motors							Wicket Door	Vision	Standard Colour	RAL Option	Plastisol Option	Safety Edge	
			Single Skin Slat	Insulated Slat	Tube Motor	Inboard Motor	Direct Drive Motor	Manual Option	Insurance Approved	Heat Transmission W/m ² K								
Tubular	SeceuroShield Continental 75	5800 x 3400	●		●				●			N/A		●	White, Black, Brown, Cream, Galvanised	●	●	●
	SeceuroShield Traditional 75	7000 x 5000	●		●				●			N/A	●	●	White, Black, Brown, Cream, Galvanised	●	●	●
	SeceuroShield 7501	6000 x 4800	●		●				●	●		N/A		● (Perf only)	White, Black, Brown, Cream, Galvanised	●	●	
	SeceuroDoor 77t	6000 x 3400		●	●							4.01			Galvanised	●		●
		Clear Opening Maximum Sizes (mm)	Single Skin Slat	Insulated Slat	Tube Motor	Inboard Motor	Direct Drive Motor	Manual Option	Insurance Approved	Heat Transmission W/m ² K	Wicket Door	Vision	Standard Colour	RAL Option	Plastisol Option	Safety Edge		
Industrial	SeceuroDoor 75 Single Skin	7000 x 7000	●			●	●				●	●	Galvanised	●	●	●		
	SeceuroDoor 77 Insulated	20 m ² (Max width 6 m)		●		●	●			4.01			Galvanised	●		●		
	SeceuroDoor 95 Insulated	7000 x 7000		●		●	●			3.9		●	Galvanised	●		●		
	SeceuroDoor 100 Insulated	7000 x 7000		●		●	●			TBC		●	Galvanised	●	●	●		
Manual	SeceuroDoor 75c Chain Op	5000 x 5000	●					●			●	●	White, Black, Brown, Cream, Galvanised	●	●			
	SeceuroDoor 77c Chain Op	5000 x 4000		●				●		4.01			Galvanised	●				

SeceuroShield | 75 22g Solid Tubular Continental & Traditional Shutter

- Slat, Guide & Bottom Rail**
 - Slat Type – 22g single skin, scrolled galvanised steel
 - Slat Size – 75 mm
 - Default Guide – 65 mm U channel
 - Guide Angle – 75 mm x 50 mm galvanised angle, 5 mm thick
 - Bottom Rail – T rail or L rail (T rail mandatory on 7501 upgrade)
 - Bottom Rail Size – 68 mm or 88 mm high, respectively
 - Bottom Rail Rubber – D rubber optional (T rail only)
- Optional Guides**
 - 65 mm wind channel **£45.00/m**
 - 100 mm U channel **£15.00/m**
 - 100 mm wind channel **£60.00/m**
- Standard colours**
 - Galv
 - White 9016
 - Brown 8014
 - White 9010
 - Black 9005
 - Cream 1015

Overall Height (mm)	Overall Width (mm)																											End Plate Size (mm)	
	1000	1200	1400	1600	1800	2000	2200	2400	2600	2800	3000	3200	3400	3600	3800	4000	4200	4400	4600	4800	5000	5200	5400	5600	5800	6000	Internal/External		
1000	618	638	653	672	687	707	722	741	756	775	790	810	825	845	859	879	894	914	929	949	963	1022	1037	1057	1071	1121	250/250		
1200	638	658	677	697	711	731	751	766	786	806	821	839	859	874	894	914	929	949	969	983	1033	1097	1117	1136	1151	1170	250/300		
1400	662	682	697	717	737	756	775	795	810	830	850	870	889	909	929	943	963	1013	1033	1053	1071	1146	1166	1185	1201	1220	250/300		
1600	691	711	731	751	771	795	815	835	855	874	894	919	938	958	1007	1027	1053	1071	1091	1111	1131	1220	1239	1259	1279	1329	250/300		
1800	711	731	751	775	795	821	839	859	885	905	923	949	998	1022	1042	1062	1086	1106	1126	1151	1170	1265	1284	1309	1329	1640	250/300		
2000	731	756	775	801	821	845	865	889	909	934	983	1007	1033	1053	1077	1097	1121	1141	1166	1185	1210	1309	1333	1614	1664	1689	250/300		
2200	771	795	821	845	870	894	919	938	963	1018	1042	1067	1091	1117	1141	1166	1190	1210	1234	1259	1284	1437	1457	1728	1753	1777	300/300		
2400	790	815	845	870	894	919	943	969	1022	1047	1071	1097	1121	1146	1170	1201	1225	1250	1274	1338	1363	1481	1506	1777	1802	1826	300/300		
2600	815	839	865	889	919	943	969	1022	1053	1077	1102	1126	1155	1181	1205	1230	1259	1323	1349	1373	1402	1526	1797	1826	1852	1881	300/350		
2800	839	870	899	923	954	978	1037	1067	1091	1121	1146	1175	1205	1230	1259	1323	1353	1382	1407	1437	1466	1817	1872	1901	1930	1960	300/350		
3000	905	934	963	987	1018	1077	1106	1136	1161	1190	1220	1250	1274	1304	1373	1402	1432	1457	1486	1516	1762	1930	1960	1990	2020	2049	350/350		
3200	923	954	983	1013	1042	1102	1131	1161	1190	1220	1250	1279	1309	1378	1407	1437	1466	1497	1521	1768	1797	1980	2009	2040	2069	2098	350/350		
3400	954	983	1018	1047	1106	1141	1170	1201	1234	1265	1294	1323	1398	1427	1457	1491	1521	1768	1802	1832	1861	2049	2084	2113	2148	2177	350/350		
3600	973	1007	1037	1071	1131	1166	1195	1230	1259	1294	1323	1398	1427	1462	1491	1526	1773	1808	1837	1872	1925	2098	2133	2162	2197	2552	350/400		
3800	1003	1037	1071	1136	1166	1201	1234	1269	1304	1338	1407	1442	1477	1511	1546	1797	1826	1861	1896	1930	1990	2172	2207	2562	2597	2632	350/400		
4000	1117	1151	1185	1250	1284	1318	1353	1388	1422	1497	1530	1565	1600	1634	1886	1921	1956	1990	2024	2084	2118	2627	2665	2700	2735	2769	350/400		
4200	1136	1170	1205	1274	1309	1343	1378	1413	1447	1526	1561	1595	1629	1881	1921	1956	1990	2024	2058	2118	2478	2676	2711	2749	2784	2819	400/400		
4400	1166	1201	1269	1304	1343	1378	1417	1457	1530	1570	1605	1645	1896	1936	1970	2009	2044	2084	2118	2503	2543	2749	2784	2824	2863	2903	400/400		
4600	1185	1225	1289	1329	1368	1407	1442	1481	1561	1595	1634	1674	1930	1965	2005	2044	2078	2118	2478	2537	2577	2795	2833	2873	2912	2952	400/400		
4800	1215	1254	1323	1363	1402	1442	1481	1561	1600	1640	1678	1724	1980	2020	2058	2098	2138	2498	2562	2601	2641	2868	2908	2947	2992	3031	400/400		

Overall Height (mm)

Maximum size for Continental Design

Max size for 7501

Somfy motor surcharge: Above line = £40 net | Below line = £200 net

PLEASE NOTE: Recommend wind lock guides over 4 m in width

Manual Override Surcharge £89

Key – Surcharges: All prices shown are in pound sterling (£)

- No safety brake
- Safety brake surcharge £101
- 300Nm Motor (NRG)

SeceuroShield | 7501 Insurance Approved Security Shutters
UPGRADE AVAILABLE
 See Page 8 for more information



SeceuroShield | 75 22g Perforated/Punched Tubular Continental & Traditional Shutter

Slat, Guide & Bottom Rail

- Slat Type – 22g perforated single skin, scrolled galvanised steel
- Slat Size – 75 mm
- Default Guide – 65 mm U channel
- Guide Angle – 75 mm x 50 mm galvanised angle, 5 mm thick
- Bottom Rail – T rail or L rail (T rail mandatory on 7501 upgrade)
- Bottom Rail Size – 68 mm or 88 mm high, respectively
- Bottom Rail Rubber – D rubber optional (T rail only)

Optional Guides

- 65 mm wind channel **£45.00/m**
- 100 mm U channel **£15.00/m**
- 100 mm wind channel **£60.00/m**

Standard colours

- Galv
- White 9010
- White 9010
- Black 9005
- Brown 8014
- Cream 1015

Overall Height (mm)	Overall Width (mm)																End Plate Size (mm)	
	1000	1200	1400	1600	1800	2000	2200	2400	2600	2800	3000	3200	3400	3600	3800	4000	Internal/External	
1000	633	653	672	691	711	731	751	771	790	806	825	845	865	885	905	923	250/250	
1200	653	672	697	717	737	756	775	801	821	839	859	879	905	923	943	963		
1400	677	697	717	741	761	786	806	830	850	870	894	914	938	958	978	1003	250/300	
1600	707	731	756	775	801	825	850	874	899	923	943	969	993	1018	1042	1067		
1800	726	751	775	806	830	855	879	905	929	954	978	1003	1027	1053	1077	1102	300/300	
2000	751	775	801	830	855	879	905	934	958	983	1013	1037	1062	1091	1146	1170		
2200	790	821	850	879	905	934	963	993	1018	1047	1077	1102	1161	1190	1220	1245	300/350	
2400	815	845	874	905	934	963	993	1018	1047	1077	1106	1166	1195	1225	1254	1284		
2600	835	865	899	929	958	987	1018	1047	1082	1111	1170	1201	1230	1265	1294	1323	300/350	
2800	865	899	934	963	998	1033	1062	1097	1126	1190	1225	1254	1289	1323	1353	1388		
3000	929	963	998	1033	1067	1102	1131	1166	1230	1265	1299	1333	1363	1398	1432	1466	350/350	
3200	954	987	1022	1057	1091	1126	1161	1225	1259	1294	1329	1363	1398	1437	1472	1506		
3400	983	1022	1057	1091	1131	1166	1234	1269	1309	1343	1382	1417	1457	1491	1530	1565	350/350	
3600	1003	1042	1082	1121	1155	1195	1265	1299	1338	1378	1417	1452	1491	1530	1565	1645		
3800	1037	1077	1117	1155	1195	1265	1309	1349	1388	1427	1466	1506	1550	1590	1669	1709	400/400	
4000	1151	1190	1230	1274	1314	1382	1427	1466	1511	1550	1590	1634	1674	1753	1797	1837		
4200	1170	1215	1254	1299	1368	1413	1457	1497	1541	1580	1625	1669	1748	1793	1832		400/400	
4400	1201	1245	1289	1333	1407	1452	1497	1541	1590	1634	1678	1762	1808	1852				
4600	1225	1269	1314	1358	1437	1481	1526	1570	1620	1664	1748	1793	1842					
4800	1254	1304	1349	1427	1477	1521	1570	1620	1664	1713	1802	1852						

Maximum size for Continental Design

Max size for 7501

Somfy motor surcharge: Above line = £40 net | Below line = £200 net

Manual Override Surcharge £89

Key – Surcharges: All prices shown are in pound sterling (£)

- No safety brake
- Safety brake surcharge £101

PLEASE NOTE: For perforated steel shutters above 4 m in width, see the 20g table on Page 7.

SeceuroShield | 7501

Insurance Approved Security Shutters

UPGRADE AVAILABLE

See Page 8 for more information

Tubular



SecuroShield | 75 20g Solid Tubular Continental & Traditional Shutter

- Slat, Guide & Bottom Rail**
- Slat Type – 20g single skin, scrolled galvanised steel
 - Slat Size – 75 mm
 - Default Guide – 65 mm wind channel
 - Guide Angle – 75 mm x 50 mm galvanised angle, 5 mm thick
 - Bottom Rail – T rail or L rail
 - Bottom Rail Size – 68 mm or 88 mm high, respectively
 - Bottom Rail Rubber – D rubber optional (T rail only)
- Optional Guides**
- 100 mm wind channel £15.00/m
- Standard colours**
- Galv
 - White 9010
 - White 9016
 - Black 9005
 - Brown 8014
 - Cream 1015

PLEASE NOTE: 65 mm wind lock guide beyond this point on all traditional design shutters – included in price shown

		Overall Width (mm)																				End Plate Size (mm)												
		1000	1200	1400	1600	1800	2000	2200	2400	2600	2800	3000	3200	3400	3600	3800	4000	4200	4400	4600	4800	5000	5200	5400	5600	5800	6000	6200	6400	6600	6800	7000	Internal/External	
Overall Height (mm)	1000	658	682	702	726	746	766	790	810	835	855	879	899	923	943	969	987	1013	1033	1053	1077	1114	1151	1170	1195	1215	1269	1289	1314	1338	1614	1640	250/250	
	1200	682	707	731	756	775	801	825	845	870	894	919	938	963	987	1013	1033	1086	1111	1131	1155	1181	1205	1225	1250	1274	1329	1349	1373	1654	1678	1921	250/300	
	1400	711	737	761	786	810	835	859	885	905	929	954	978	1003	1057	1082	1106	1131	1155	1181	1205	1230	1254	1279	1304	1358	1382	1413	1694	1718	1743	1985	250/300	
	1600	746	771	801	825	855	879	909	934	963	987	1018	1077	1102	1131	1155	1185	1210	1239	1265	1294	1318	1349	1373	1437	1466	1526	1497	1743	1797	1826	2064	2098	250/300
	1800	771	801	830	855	885	914	943	973	998	1057	1086	1117	1141	1170	1201	1230	1259	1284	1314	1343	1373	1437	1466	1526	1556	1802	1832	1861	2093	2128	2162	300/300	
	2000	795	825	855	885	914	943	978	1007	1067	1097	1144	1155	1185	1215	1245	1274	1304	1333	1363	1432	1462	1491	1550	1580	1826	1857	1892	1921	2473	2513	2548	300/300	
	2200	845	874	909	943	973	1007	1037	1102	1131	1166	1201	1230	1265	1294	1329	1358	1393	1466	1497	1530	1561	1595	1872	1906	1936	1970	2005	2237	2597	2636	2676	300/300	
	2400	870	905	938	973	1003	1037	1102	1136	1170	1205	1234	1269	1304	1338	1373	1447	1477	1511	1546	1580	1614	1892	1925	1960	1994	2029	2064	2296	2656	2696	2740	300/350	
	2600	894	929	969	1003	1037	1102	1136	1170	1205	1239	1274	1309	1349	1422	1457	1491	1526	1561	1595	1846	1881	1945	1980	2014	2054	2089	2316	2676	2720	2760	2804	300/350	
	2800	934	969	1007	1042	1111	1151	1185	1225	1265	1299	1338	1373	1452	1491	1526	1565	1605	1640	1896	1930	1994	2034	2073	2113	2153	2375	2740	2784	2829	2873	2917	350/400	
	3000	998	1037	1077	1117	1185	1225	1265	1299	1338	1378	1417	1497	1536	1575	1614	1654	1906	1945	1985	2024	2089	2128	2168	2207	2246	2473	2839	2883	2932	2977	3021	350/400	
	3200	1022	1067	1106	1175	1215	1254	1294	1333	1378	1417	1497	1536	1575	1614	1659	1916	1956	1994	2034	2098	2142	2182	2221	2266	2484	2533	2897	2947	2992	3041	3091	350/400	
	3400	1062	1102	1146	1220	1259	1304	1349	1388	1432	1516	1556	1600	1645	1689	1945	1990	2034	2073	2118	2182	2226	2271	2316	2360	2582	2952	3001	3051	3100	3155	3204	400/400	
	3600	1086	1131	1205	1250	1294	1338	1382	1422	1506	1550	1595	1640	1684	1945	1990	2034	2078	2123	2168	2237	2281	2325	2369	2414	2957	3011	3060	3115	3164	3213	4837	400/400	
	3800	1121	1170	1245	1289	1338	1382	1432	1477	1565	1610	1659	1704	1970	2014	2064	2108	2157	2202	2271	2320	2369	2414	2464	3001	3056	3110	3164	3219	4842	4897	4951	400/400	
	4000	1239	1284	1363	1413	1462	1506	1556	1645	1694	1738	1788	2054	2104	2148	2197	2246	2296	2340	2414	2464	2513	2879	2928	3149	3204	3263	3317	4941	4995	5050	5103	400/450	
	4200	1265	1343	1393	1442	1491	1541	1590	1678	1728	1777	2044	2093	2142	2192	2241	2291	2340	2389	2464	2513	2883	2932	3149	3204	3263	4886	4946	5001	5059	5114			
	4400	1299	1382	1432	1479	1536	1590	1678	1733	1782	1837	2104	2157	2212	2261	2316	2365	2419	2493	2543	2917	2972	3027	3243	3303	4931	4990	5050	5109	5168				
	4600	1323	1407	1462	1516	1570	1620	1713	1768	1822	2093	2142	2197	2252	2305	2355	2409	2464	2537	2912	2967	3021	3076	3297	4926	4985	5050	5109						
	4800	1363	1447	1501	1561	1614	1709	1768	1822	2093	2148	2207	2261	2316	2375	2429	2484	2543	2943	2996	3056	3110	3327	4961	5019	5084	5149							
5000	1417	1472	1530	1590	1645	1743	1797	1857	2128	2188	2246	2301	2360	2414	2473	2533	2908	2987	3045	3105	3164	4951	5015	5079	5143									

Maximum size for Continental Design

Somfy motor surcharge: Above line = £40 net | Below line = £200 net

Key – Surcharges: All prices shown are in pound sterling (£)

- No safety brake
- Safety brake surcharge £101
- 300Nm Motor (NRG)
- Type 8 motor (450Nm) Please contact sales office for drawings and lead time. On a reveal fit only the price includes a 100 mm packer on the motor and safety break.

Products over 6000 mm in width can be collected or will require a quotation for delivery

Manual Override Surcharge £89



SeceuroShield | 75 20g Perforated/Punched Tubular Continental & Traditional Shutter

*Punched only available up to 16 m²

Slat, Guide & Bottom Rail

- Slat Type – 20g perforated single skin, scrolled galvanised steel
- Slat Size – 75 mm
- Default Guide – 65 mm wind channel
- Guide Angle – 75 mm x 50 mm galvanised angle, 5 mm thick
- Bottom Rail – T rail or L rail
- Bottom Rail Size – 68 mm or 88 mm high, respectively
- Bottom Rail Rubber – D rubber optional (T rail only)

Optional Guides

- 100 mm wind channel **£15.00/m**

Standard colours

- Galv
- White 9010
- White 9016
- Black 9005
- Brown 8014
- Cream 1015

PLEASE NOTE: 65 mm wind lock guide beyond this point on all traditional design shutters – included in price shown

Overall Height (mm)	Overall Width (mm)																										End Plate Size (mm)	Internal/External								
	1000	1200	1400	1600	1800	2000	2200	2400	2600	2800	3000	3200	3400	3600	3800	4000	4200	4400	4600	4800	5000	5200	5400	5600	5800	6000			6200	6400	6600	6800	7000			
1000	658	682	707	726	751	775	795	821	839	865	889	909	934	958	978	1003	1027	1047	1071	1091	1117	1141	1161	1185	1210	1289	1314	1338	1363	1645	1669	250/250				
1200	687	711	737	761	786	806	830	855	879	905	929	954	978	1003	1027	1053	1077	1102	1161	1151	1205	1230	1254	1279	1299	1353	1382	1407	1689	1713	1956	250/300				
1400	722	751	781	806	835	859	889	914	943	969	998	1027	1053	1082	1106	1136	1161	1220	1250	1274	1304	1329	1358	1382	1442	1472	1497	1782	1812	1842	2084	250/300				
1600	751	781	810	835	865	894	923	954	983	1013	1042	1067	1097	1144	1185	1215	1245	1274	1304	1329	1358	1388	1417	1447	1506	1536	1822	1852	1881	2118	2153	250/300				
1800	775	806	839	870	899	929	958	993	1022	1053	1082	1111	1170	1205	1234	1265	1294	1323	1358	1388	1417	1447	1477	1536	1565	1857	1886	1921	2153	2192	2226	250/300				
2000	815	850	885	914	949	978	1018	1053	1082	1117	1181	1215	1250	1279	1314	1349	1382	1413	1447	1469	1516	1550	1610	1936	1970	2005	2040	2597	2636	2676	2676	300/300				
2200	855	889	923	958	993	1027	1062	1102	1136	1201	1234	1269	1304	1338	1373	1407	1442	1472	1516	1550	1585	1659	1718	1974	2009	2044	2084	2316	2676	2720	2760	300/300				
2400	879	919	954	987	1027	1062	1102	1136	1205	1239	1274	1314	1349	1388	1422	1457	1497	1530	1570	1645	1678	1743	1782	2034	2073	2113	2148	2385	2745			300/350				
2600	919	958	998	1037	1077	1117	1155	1225	1265	1304	1343	1382	1422	1462	1501	1541	1580	1659	1698	1738	1777	1846	2104	2142	2182	2226							300/350			
2800	943	987	1027	1067	1111	1151	1220	1265	1304	1343	1388	1427	1466	1511	1550	1629	1674	1713	1753	1797	1861	2123	2162	2207									350/350			
3000	1013	1057	1097	1141	1185	1254	1299	1343	1382	1427	1472	1511	1556	1600	1678	1724	1762	1808	1852	1892	2177	2221											350/350			
3200	1053	1097	1141	1190	1234	1309	1353	1402	1447	1491	1536	1585	1629	1713	1758	1808	1852	1896	1941	2232	2276													350/350		
3400	1077	1124	1170	1220	1299	1343	1393	1437	1484	1530	1580	1629	1713	1762	1808	1857	1901	2168	2212															350/400		
3600	1106	1155	1201	1250	1329	1378	1427	1477	1526	1575	1620	1709	1758	1808	1857	1906	2172	2221																	350/400	
3800	1141	1195	1245	1329	1378	1432	1519	1536	1585	1640	1728	1782	1832	1886	1936	2207	2256																		400/400	
4000	1259	1314	1368	1452	1501	1556	1610	1664	1718	1808	1861	1916	1970	2024	2291	2345																			400/400	
4200	1289	1343	1398	1493	1536	1590	1645	1698	1758	1852	1906	1960	2014	2286	2340																				450/450	
4400	1323	1382	1472	1530	1585	1645	1704	1758	1857	1916	1974	2029	2305	2365																					450/450	
4600	1353	1413	1501	1561	1620	1678	1738	1797	1896	1956	2014	2073	2350																							450/450
4800	1388	1452	1546	1605	1669	1733	1793	1896	1960	2020	2084	2148																								450/450
5000	1417	1511	1575	1640	1704	1768	1832	1936	2000	2058	2123	2404																								450/450

Overall Height (mm)

Maximum size for Continental Design

Tubular

Somfy motor surcharge: Above line = £40 net | Below line = £200 net

Products over 6000 mm in width can be collected or will require a quotation for delivery

Key – Surcharges: All prices shown are in pound sterling (£)

- No safety brake
- Safety brake surcharge £101

Manual Override Surcharge £89



This price is the surcharge to upgrade a SeceuroShield 75 to a 7501 and covers the certification of the product.
The additional manual locks and windlock guide rails will require additional surcharges.

SECEUROSHIELD 7501 REQUIREMENTS**Bottom Slat**

The bottom slat must be "T" Section

Guide Channels *traditional only

The guide channels must be windlock 65 x 40 x 3 mm

Manual Locks

Shutters up to 3 m wide must have a bottom slat lock. Shutters wider than 3 m must have either a bottom slat lock or a pair of guide channel bullet locks.

Curtain Slats

SeceuroShield 7501 is only available with 22g slat but is available with either the solid or perforated profile.

Installation

SeceuroShield 7501 can only be installed internally and the shutter box must be installed above the structural opening.

SeceuroShield 7501 must be fastened to either a timber frame, block, brickwork or steelwork.

Continental: £131
Traditional: £212

**All visible fixings must be spoiled.**

Structural material	Minimum fixings	Min number. of fixings	Height of guide rails
Timber frame	No. 12 x 21/2"	3	Less than or equal to 1000 mm
Block or brickwork	No. 12 x 21/2" with appropriate plugs	4	1001 mm to 1500 mm
Steelwork	Tec screws	5	1501 mm to 2500 mm
	No. 10 x 1" pozi pan head screws	6	2501 mm to 3500 mm
	M8 x 10 mm hex head or dome head bolts which must be tapped into the steel work	7	3500 mm+



Slat, Guide & Bottom Rail

- Slat Type – Double skinned, foam insulated, galvanised steel
- Slat Size – 77 mm
- Default Guide – 95 mm x 34 mm extruded aluminium channel
- Guide Angle – 75 mm x 50 mm galvanised angle, 5 mm thick
- Bottom Rail – Extruded aluminium section
- Bottom Rail Size – 77 mm high
- Bottom Rail Rubber – Included

Optional Guides

- None

Standard colours

- Galv

Overall Height (mm)	Overall Width (mm)																										End Plate Size (mm)												
	1000	1200	1400	1600	1800	2000	2200	2400	2600	2800	3000	3200	3400	3600	3800	4000	4200	4400	4600	4800	5000	5200	5400	5600	5800	6000													
1000	646	672	703	732	759	789	814	845	875	900	931	957	986	1017	1043	1073	1099	1129	1159	1185	1215	1241	1271	1297	1327	1383	350												
1200	677	707	738	767	797	828	857	888	918	953	982	1013	1043	1073	1103	1133	1163	1193	1224	1254	1310	1340	1370	1404	1435	1464		400											
1400	720	754	789	824	857	892	927	961	996	1029	1064	1099	1133	1168	1202	1236	1271	1331	1365	1400	1435	1474	1507	1542	1577	1611			400										
1600	750	789	824	861	896	935	970	1008	1043	1082	1116	1154	1189	1228	1288	1327	1361	1400	1435	1474	1507	1546	1581	1620	1654	1718				400									
1800	781	818	857	896	935	974	1013	1052	1090	1129	1168	1206	1271	1310	1349	1388	1426	1464	1503	1542	1581	1620	1658	1697	1736	2024					400								
2000	861	905	948	991	1029	1073	1116	1159	1202	1245	1314	1357	1400	1443	1486	1529	1572	1611	1654	1697	1740	1783	1826	2093	2162	2205						400							
2200	892	935	982	1025	1068	1116	1159	1206	1249	1318	1365	1409	1456	1499	1542	1589	1632	1679	1722	1766	1814	1890	1938	2196	2239	2287							400						
2400	922	970	1017	1064	1107	1154	1202	1249	1322	1370	1417	1464	1507	1556	1603	1650	1697	1745	1792	1874	1917	1964	2011	2274	2321	2368								400					
2600	965	1017	1068	1120	1168	1220	1271	1349	1400	1447	1499	1550	1603	1654	1706	1753	1804	1890	1943	1994	2046	2093	2360	2411	2464	2515									400				
2800	996	1047	1103	1154	1206	1263	1340	1392	1447	1499	1550	1603	1658	1710	1761	1852	1904	1956	2011	2063	2115	2360	2433	2489	2540	2597										400			
3000	1025	1082	1138	1193	1245	1327	1383	1439	1490	1546	1603	1658	1714	1766	1857	1913	1968	2020	2076	2132	2378	2454	2511	2567	2622	2679											400		
3200	1150	1206	1267	1327	1388	1469	1529	1589	1650	1706	1766	1826	1886	1977	2037	2097	2153	2214	2274	2524	2579	2661	2722	2782	2842	2903												400	
3400	1181	1241	1301	1361	1452	1512	1572	1632	1693	1757	1818	1878	1972	2033	2097	2158	2218	2468	2532	2593	2653	2735	2799	2860	2924	400													400

Somfy motor surcharge: Above line = £40 net | Below line = £200 net

Manual Override Surcharge £89

Key – Surcharges: All prices shown are in pound sterling (£)

- No safety brake
- Safety brake surcharge £101



- Slat, Guide & Bottom Rail**
- Slat Type – 22g single skin, scrolled galvanised steel
 - Slat Size – 75 mm
 - Default Guide – 65 mm U channel
 - Guide Angle – 75 mm x 50 mm galvanised angle, 5 mm thick
 - Bottom Rail – T rail
 - Bottom Rail Size – 68 mm high
 - Bottom Rail Rubber – D rubber optional
- Optional Guides**
- 65 mm wind channel **£45.00/m**
 - 100 mm U channel **£15.00/m**
 - 100 mm wind channel **£60.00/m**
- Standard colours**
- Galv
- Motor**
- 3 Phase GfA

Face fitted around an opening

Clear Opening Height (mm)	Clear Opening Width (mm)																									End Plate Size (mm)	
	2000	2200	2400	2600	2800	3000	3200	3400	3600	3800	4000	4200	4400	4600	4800	5000	5200	5400	5600	5800	6000	6200	6400	6600	6800		7000
2000	1960	1979	1998	2017	2036	2054	2073	2092	2111	2130	2149	2167	2186	2205	2224	2243	2404	2423	2442	2486	2505	2525	2545	2564	2584	2789	350
2200	1992	2012	2033	2053	2073	2094	2114	2134	2154	2175	2195	2215	2236	2256	2276	2296	2474	2494	2539	2560	2581	2602	2709	2730	2751	2958	350
2400	2014	2035	2056	2077	2098	2119	2140	2161	2182	2203	2224	2245	2266	2287	2308	2329	2518	2539	2584	2606	2628	2735	2757	2779	2982	3009	350
2600	2035	2057	2078	2100	2122	2144	2165	2187	2209	2231	2252	2274	2296	2318	2339	2361	2562	2607	2629	2738	2760	2783	2805	2828	3031	3059	350
2800	2067	2090	2113	2137	2160	2183	2206	2229	2253	2276	2299	2322	2345	2369	2392	2415	2632	2764	2788	2812	2836	2860	2884	2908	3113	3142	350
3000	2088	2112	2136	2160	2184	2208	2232	2256	2280	2304	2328	2352	2376	2400	2423	2533	2784	2809	2833	2858	2883	2908	2932	2957	3163	3493	350
3200	2110	2134	2159	2184	2208	2233	2258	2282	2307	2332	2356	2381	2406	2430	2541	2565	2828	2853	2879	2904	2930	2955	3281	3482	3513	3543	350
3400	2142	2168	2194	2220	2246	2272	2298	2325	2351	2377	2403	2429	2455	2481	2593	2619	2898	2925	2952	2979	3306	3333	3360	3562	3594	3627	350
3600	2163	2190	2217	2244	2271	2297	2324	2351	2378	2405	2432	2459	2485	2598	2625	2673	2942	2969	2997	3325	3353	3380	3408	3611	3644	3984	350
3800	2195	2223	2252	2280	2308	2337	2365	2393	2422	2450	2478	2506	2620	2649	2677	2727	3012	3041	3370	3400	3429	3458	3487	3692	4033	4067	350
4000	2293	2322	2351	2380	2409	2438	2467	2496	2525	2554	2583	2698	2727	2756	2805	2835	3132	3462	3492	3522	3552	3581	3782	4124	4159	4194	350
4200	2314	2344	2374	2403	2433	2463	2493	2522	2552	2582	2697	2727	2757	2787	2837	2868	3476	3506	3537	3568	3598	3629	3830	4173	4208	4244	350
4400	2346	2377	2409	2440	2471	2502	2533	2565	2596	2713	2744	2775	2806	2837	3190	3222	3546	3578	3610	3642	3674	3706	3909	4253	4290	4328	350
4600	2368	2399	2431	2463	2495	2527	2559	2591	2709	2741	2772	2804	2836	3169	3221	3254	3590	3623	3655	3688	3721	4061	4264	4302	4340	4705	350
4800	2399	2433	2466	2500	2533	2566	2600	2719	2752	2786	2819	2852	3186	3239	3274	3308	3660	3694	3729	3763	4104	4304	4343	4382	4749	4788	350
5000	2421	2455	2489	2523	2557	2592	2711	2745	2779	2814	2848	2882	3235	3270	3305	3340	3704	3739	4081	4116	4151	4351	4718	4758	4798	4839	350

Products over 5600 mm in width can be collected or will require a quotation for delivery

PLEASE NOTE: 100 mm wind lock guide beyond this point (5 m) – included in price shown

Industrial



Slat, Guide & Bottom Rail

- Slat Type – 22g single skin, scrolled galvanised steel
- Slat Size – 75 mm
- Default Guide – 65 mm U channel
- Guide Angle – 75 mm x 50 mm galvanised angle, 5 mm thick
- Bottom Rail – T rail
- Bottom Rail Size – 68 mm high
- Bottom Rail Rubber – D rubber optional

Optional Guides

- 65 mm wind channel £45.00/m
- 100 mm U channel £15.00/m
- 100 mm wind channel £60.00/m

Standard colours

- Galv

Motor

- 3 Phase GfA

Reveal fitted within an opening

Clear Opening Height (mm)	Clear Opening Width (mm)																									End Plate Size (mm)									
	2000	2200	2400	2600	2800	3000	3200	3400	3600	3800	4000	4200	4400	4600	4800	5000	5200	5400	5600	5800	6000	6200	6400	6600	6800		7000								
2000	2409	2428	2446	2465	2484	2503	2522	2541	2559	2578	2597	2616	2635	2654	2672	2691	2852	2871	2890	2934	2954	2974	2993	3013	3033	3239	350								
2200	2460	2480	2500	2521	2541	2561	2581	2602	2622	2642	2663	2683	2703	2723	2744	2764	2942	2962	3007	3028	3049	3070	3091	3112	3133	3341		400							
2400	2500	2521	2542	2563	2584	2605	2626	2647	2668	2689	2710	2731	2752	2773	2794	2815	3004	3025	3071	3093	3115	3136	3158	3180	3383	3410			400						
2600	2540	2562	2584	2606	2627	2649	2671	2693	2714	2736	2758	2780	2801	2823	2845	2867	3067	3112	3135	3158	3180	3203	3225	3248	3452	3479				400					
2800	2591	2614	2638	2661	2684	2707	2731	2754	2777	2800	2823	2847	2870	2893	2916	2939	3156	3203	3227	3251	3275	3299	3323	3347	3553	3582					400				
3000	2632	2656	2680	2703	2727	2751	2775	2799	2823	2847	2871	2895	2919	2943	2967	2991	3242	3266	3291	3316	3341	3366	3390	3415	3621	3651						400			
3200	2672	2697	2721	2746	2771	2795	2820	2845	2869	2894	2919	2943	2968	2993	3017	3042	3304	3330	3355	3381	3406	3432	3457	3659	3690	3720							400		
3400	2723	2749	2775	2801	2827	2854	2880	2906	2932	2958	2984	3010	3036	3062	3089	3115	3394	3421	3448	3474	3501	3528	3555	3758	3790	3823								400	
3600	2763	2790	2817	2844	2871	2898	2924	2951	2978	3005	3032	3059	3086	3112	3139	3188	3456	3484	3512	3539	3567	3595	3622	3826	3859	3892									400
3800	2814	2843	2871	2899	2927	2956	2984	3012	3041	3069	3097	3126	3154	3182	3210	3260	3546	3575	3604	3633	3662	3691	3720	3926	3988	4023									
4000	2935	2965	2994	3023	3052	3081	3110	3139	3168	3197	3226	3255	3284	3313	3363	3393	3689	3719	3749	3779	3809	3838	4039	4074	4138	4173	400								
4200	2976	3006	3035	3065	3095	3125	3154	3184	3214	3244	3273	3303	3333	3363	3413	3444	3752	3782	3813	3844	3874	3905	4106	4170	4206	4242		400							
4400	3027	3058	3089	3120	3152	3183	3214	3245	3276	3308	3339	3370	3401	3433	3485	3517	3841	3873	3905	3937	3969	4001	4204	4270	4307	4344			400						
4600	3067	3099	3131	3163	3195	3227	3259	3291	3323	3355	3387	3419	3450	3482	3535	3568	3904	3936	3969	4002	4035	4068	4300	4338	4376	400									
4800	3118	3151	3185	3218	3252	3285	3318	3352	3385	3419	3452	3485	3519	3572	3606	3641	3993	4027	4061	4096	4158	4358	4398							400					
5000	3158	3193	3227	3261	3295	3329	3363	3397	3431	3466	3500	3534	3587	3622	3657	3692	4056	4091	4126	4189	4224	4425									400				

Products over 5600 mm in width can be collected or will require a quotation for delivery

PLEASE NOTE: 100 mm wind lock guide beyond this point (5 m) – included in price shown

Industrial



Slat, Guide & Bottom Rail

- Slat Type – 20g single skin, scrolled galvanised steel
- Slat Size – 75 mm
- Default Guide – 65 mm U channel
- Guide Angle – 75 mm x 50 mm galvanised angle, 5 mm thick
- Bottom Rail – T rail
- Bottom Rail Size – 68 mm high
- Bottom Rail Rubber – D rubber optional

Optional Guides

- 65 mm wind channel **£45.00/m**
- 100 mm wind channel **£15.00/m**

Standard colours

- Galv

Motor

- 3 Phase GfA

Face fitted around an opening

PLEASE NOTE: 65 mm wind lock guide beyond this point (4 m) – included in price shown

Clear Opening Height (mm)	Clear Opening Width (mm)																												End Plate Size (mm)
	2000	2200	2400	2600	2800	3000	3200	3400	3600	3800	4000	4200	4400	4600	4800	5000	5200	5400	5600	5800	6000	6200	6400	6600	6800	7000			
2000	2013	2038	2063	2088	2113	2138	2163	2188	2213	2238	2263	2393	2418	2443	2468	2494	2519	2567	2593	2619	2644	2670	2696	2896	2927	2958	350		
2200	2051	2078	2106	2133	2160	2187	2214	2242	2269	2296	2323	2467	2495	2522	2549	2576	2604	2654	2682	2710	2738	2766	3048	3081	3115	3148	400		
2400	2077	2105	2133	2162	2190	2218	2247	2275	2303	2331	2360	2511	2539	2568	2596	2624	2675	2704	2733	2762	2792	2906	3104	3138	3172	3207	450		
2600	2101	2131	2160	2190	2219	2248	2278	2307	2337	2366	2395	2555	2584	2614	2643	2672	2724	2754	2785	2900	2931	3124	3160	3195	3230	3266	500		
2800	2139	2171	2202	2234	2266	2297	2329	2360	2392	2424	2455	2629	2660	2692	2723	2777	2809	2927	2959	2992	3183	3220	3258	3295	3333	3370			
3000	2166	2199	2231	2264	2297	2329	2362	2395	2427	2460	2493	2672	2705	2738	2770	2910	2944	2977	3011	3044	3236	3275	3313	3352	3391	3730			
3200	2191	2224	2258	2292	2326	2359	2393	2427	2461	2494	2528	2716	2750	2784	2924	2958	2993	3027	3062	3250	3289	3329	3669	3709	3749	3788			
3400	2229	2264	2300	2336	2372	2408	2444	2480	2516	2552	2588	2790	2826	2862	3004	3041	3078	3114	3151	3341	3683	3725	3767	3809	3851	3893			
3600	2254	2291	2328	2365	2402	2439	2476	2513	2551	2588	2625	2834	2871	2993	3051	3089	3127	3165	3203	3694	3737	3780	3823	3866	3909	4259			
3800	2292	2331	2371	2410	2449	2488	2528	2567	2606	2645	2684	2908	3032	3092	3132	3172	3212	3252	3740	3785	3831	3876	3921	3966	4319	4364			
4000	2393	2433	2474	2514	2554	2595	2635	2675	2715	2756	2796	3113	3153	3214	3255	3296	3337	3678	3868	3914	3960	4007	4053	4406	4453	4499			
4200	2615	2657	2698	2740	2781	2823	2864	2905	2947	2988	3115	3157	3198	3259	3302	3344	3686	3872	3919	3966	4014	4061	4109	4463	4510	4652			
4400	2665	2709	2753	2796	2840	2884	2927	2971	3014	3143	3187	3231	3293	3338	3682	3727	3771	3959	4008	4058	4107	4157	4207	4563	4613	4756			
4600	2697	2742	2786	2831	2876	2921	2965	3010	3140	3185	3230	3274	3338	3684	3729	3775	3820	4009	4060	4110	4161	4519	4569	4620	4671	5142			
4800	2747	2794	2841	2888	2935	2981	3028	3161	3208	3255	3301	3348	3715	3762	3810	3858	4043	4096	4149	4202	4562	4615	4668	4720	5192	5247			
5000	2779	2827	2875	2923	2971	3019	3152	3200	3248	3296	3344	3392	3759	3808	3857	3906	4092	4146	4507	4561	4615	4669	5050	5104	5249	5306			
5200	2834	2885	2935	2985	3035	3171	3221	3271	3321	3371	3422	3790	3841	3892	3943	3994	4183	4546	4602	4659	4715	5098	5154	5210	5358	5416			
5400	2866	2917	2969	3020	3157	3208	3259	3310	3362	3413	3464	3834	3886	3938	3990	4042	4539	4596	4654	4711	4768	5152	5210	5356	5415	5475			
5600	2898	2950	3002	3055	3193	3245	3297	3350	3402	3454	3807	3878	3931	3984	4037	4530	4588	4647	4705	4763	4822	5207	5265	5412	5473	5678			
5800	2948	3002	3057	3197	3251	3306	3360	3415	3469	3824	3879	3952	4007	4062	4118	4613	4673	4734	4794	4855	5242	5303	5363	5513	5719	5783			
6000	2979	3035	3090	3232	3287	3343	3399	3454	3810	3866	3939	3995	4052	4108	4472	4661	4722	4784	4846	5234	5296	5357	5505	5713	5777	5841			
6200	3201	3258	3402	3460	3517	3575	3633	3691	4049	4107	4182	4241	4299	4665	4724	4915	4979	5043	5433	5497	5561	5768	5918	5985	6051	6117			
6400	3232	3291	3436	3494	3553	3612	3671	3730	4089	4148	4224	4284	4651	4711	4898	4963	5028	5420	5485	5550	5758	5823	5974	6041	6109	8043			
6600	3264	3324	3469	3529	3589	3649	3709	4070	4130	4190	4267	4635	4696	4757	4945	5011	5404	5470	5536	5746	5812	5878	6030	6098	8033	8286			
6800	3314	3376	3524	3586	3648	3710	4073	4135	4197	4259	4339	4709	4772	4835	5026	5421	5489	5557	5625	5837	5905	6057	6128	8065	8136	8390			
7000	3345	3409	3557	3621	3684	3747	4111	4174	4237	4317	4689	4753	4817	4881	5400	5469	5538	5607	5820	5889	5959	6111	8050	8122	8194	8449			

Products over 5600 mm in width or height can be collected or will require a quotation for delivery



Link and Ellard motors available on request (POA)

Slat, Guide & Bottom Rail

- Slat Type – 20g single skin, scrolled galvanised steel
- Slat Size – 75 mm
- Default Guide – 65 mm U channel
- Guide Angle – 75 mm x 50 mm galvanised angle, 5 mm thick
- Bottom Rail – T rail
- Bottom Rail Size – 68 mm high
- Bottom Rail Rubber – D rubber optional

Optional Guides

- 65 mm wind channel **£45.00/m**
- 100 mm wind channel **£15.00/m**

Standard colours

- Galv

Motor

- 3 Phase GfA

Reveal fitted within an opening

PLEASE NOTE: 65 mm wind lock guide beyond this point (4 m) – included in price shown

Clear Opening Height (mm)	Clear Opening Width (mm)																												End Plate Size (mm)
	2000	2200	2400	2600	2800	3000	3200	3400	3600	3800	4000	4200	4400	4600	4800	5000	5200	5400	5600	5800	6000	6200	6400	6600	6800	7000			
2000	2462	2487	2512	2537	2562	2587	2612	2637	2662	2687	2712	2842	2867	2892	2917	2942	2967	3015	3041	3067	3093	3119	3145	3345	3376	3407	350		
2200	2519	2546	2573	2600	2627	2655	2682	2709	2736	2764	2791	2935	2962	2989	3017	3044	3071	3122	3150	3178	3206	3234	3431	3464	3497	3530			
2400	2563	2592	2620	2648	2676	2705	2733	2761	2790	2818	2846	2998	3026	3054	3082	3111	3162	3191	3220	3249	3278	3307	3505	3540	3574	3608			
2600	2607	2636	2666	2695	2724	2754	2783	2813	2842	2871	2901	3060	3090	3119	3148	3178	3230	3260	3290	3320	3351	3545	3580	3615	3651	3686			
2800	2664	2695	2727	2758	2790	2822	2853	2885	2916	2948	2980	3153	3185	3216	3248	3301	3334	3366	3398	3431	3622	3660	3697	3735	3772	3810			
3000	2709	2742	2775	2807	2840	2873	2905	2938	2971	3003	3036	3216	3248	3281	3314	3368	3402	3435	3469	3502	3694	3733	3772	3810	3849	3888			
3200	2753	2787	2820	2854	2888	2922	2955	2989	3023	3057	3090	3278	3312	3346	3400	3435	3470	3504	3539	3727	3767	3807	3846	3886	3926	3966			
3400	2810	2846	2882	2918	2954	2990	3025	3061	3097	3133	3169	3371	3407	3443	3500	3537	3573	3610	3647	3838	3879	3921	3963	4005	4047	4089			
3600	2854	2891	2928	2965	3002	3040	3077	3114	3151	3188	3225	3434	3471	3508	3566	3604	3642	3679	3717	3909	3952	3995	4038	4081	4124	4167			
3800	2911	2950	2990	3029	3068	3107	3147	3186	3225	3264	3304	3527	3566	3625	3665	3705	3745	3786	3974	4019	4065	4110	4155	4200	4274	4319			
4000	3036	3076	3116	3157	3197	3237	3278	3318	3358	3399	3439	3670	3711	3771	3812	3853	3894	3936	4125	4171	4218	4264	4310	4357	4432	4478			
4200	3277	3319	3360	3401	3443	3484	3526	3567	3609	3650	3691	3733	3774	3836	3878	3920	3962	4148	4195	4243	4290	4338	4385	4461	4508	4650			
4400	3346	3390	3433	3477	3521	3564	3608	3651	3695	3739	3782	3826	3889	3933	3977	4022	4066	4254	4304	4353	4403	4452	4502	4580	4630	4773			
4600	3397	3441	3486	3531	3575	3620	3665	3710	3754	3799	3844	3888	3952	3998	4043	4089	4134	4323	4374	4425	4475	4526	4605	4656	4706	400			
4800	3466	3512	3559	3606	3653	3700	3747	3794	3841	3888	3934	3981	4047	4095	4143	4191	4376	4429	4482	4535	4616	4669	4722						
5000	3516	3564	3612	3660	3708	3756	3804	3852	3900	3948	3996	4044	4111	4160	4209	4257	4445	4498	4552	4635	4689	4743				450			
5200	3596	3646	3696	3746	3796	3846	3897	3947	3997	4047	4097	4166	4217	4268	4319	4370	4559	4644	4700	4756	4812	4868							
5400	3646	3697	3749	3800	3851	3902	3954	4005	4056	4107	4159	4228	4280	4332	4385	4437	4655	4713	4770	4827	4884					500			
5600	3697	3749	3801	3854	3906	3958	4011	4063	4116	4168	4220	4291	4344	4397	4450	4665	4723	4782	4840	4898	4957								
5800	3766	3820	3875	3929	3984	4038	4093	4147	4202	4256	4311	4384	4439	4495	4550	4767	4827	4888	4948	5009						500			
6000	3816	3872	3927	3983	4039	4094	4150	4206	4261	4317	4390	4446	4503	4559	4644	4834	4895	4957	5019										
6200	4061	4119	4177	4235	4292	4350	4408	4466	4524	4582	4657	4715	4774	4861	4920	5112	5175	5239								500			
6400	4112	4171	4230	4288	4347	4406	4465	4524	4583	4642	4718	4778	4866	4926	5114	5179	5243												
6600	4162	4222	4282	4342	4402	4462	4522	4582	4642	4702	4780	4841	4930	4991	5180	5246										500			
6800	4231	4293	4356	4418	4480	4542	4604	4667	4729	4791	4871	4962	5025	5088	5279														
7000	4282	4345	4408	4472	4535	4598	4661	4725	4788	4868	4961	5025	5089	5153															

Products over 5600 mm in width or height can be collected or will require a quotation for delivery

Industrial



Slat, Guide & Bottom Rail

- Slat Type – Double skinned, foam insulated, galvanised steel
- Slat Size – 77 mm
- Default Guide – 95 mm extruded aluminium channel
- Guide Angle – 75 mm x 50 mm galvanised angle, 5 mm thick
- Bottom Rail – Extruded aluminium section
- Bottom Rail Size – 77 mm high
- Bottom Rail Rubber – Included

Optional Guides

- None

Standard colours

- Galv/Unpainted

Motor

- 3 Phase GfA

Face fitted around an opening

Clear Opening Width (mm)

End Plate Size (mm)

Clear Opening Height (mm)	Clear Opening Width (mm)																				End Plate Size (mm)	
	2000	2200	2400	2600	2800	3000	3200	3400	3600	3800	4000	4200	4400	4600	4800	5000	5200	5400	5600	5800		6000
2000	2251	2292	2334	2375	2416	2457	2498	2539	2580	2621	2662	2703	2744	2786	2827	2868	2909	2973	3015	3057	3099	350
2200	2291	2334	2377	2420	2463	2507	2550	2593	2636	2679	2722	2765	2808	2851	2894	2937	2980	3047	3091	3135	3178	
2400	2355	2402	2449	2496	2543	2590	2637	2684	2731	2778	2825	2872	2919	2966	3013	3060	3129	3177	3225	3273	3321	400
2600	2394	2443	2492	2541	2590	2639	2688	2737	2786	2835	2884	2933	2982	3031	3080	3129	3201	3250	3300	3436	3485	
2800	2434	2485	2536	2587	2638	2689	2740	2791	2842	2893	2944	2995	3046	3097	3148	3220	3272	3409	3461	3513	3725	450
3000	2474	2527	2580	2633	2686	2739	2792	2845	2898	2950	3003	3056	3109	3162	3215	3375	3429	3483	3537	3590	3804	
3200	2614	2671	2727	2784	2841	2898	2955	3012	3069	3125	3182	3239	3296	3353	3516	3574	3632	3689	3747	3959	4022	500
3400	2654	2712	2771	2830	2889	2948	3007	3065	3124	3183	3242	3301	3359	3418	3584	3643	3703	3763	3822	4037		
3600	2693	2754	2815	2876	2937	2997	3058	3119	3180	3241	3301	3362	3423	3569	3651	3713	3774	3836				550
3800	2757	2822	2886	2951	3016	3080	3145	3210	3275	3339	3404	3469	3619	3704	3770	3835	3901					
4000	2797	2863	2930	2997	3064	3130	3197	3264	3330	3397	3464	3616	3683	3770	3837	3905						
4200	2866	2936	3007	3078	3148	3219	3290	3360	3431	3502	3658	3728	3799	3890								
4400	2906	2978	3051	3124	3196	3269	3341	3414	3487	3645	3717	3790	3882									
4600	2946	3020	3095	3169	3244	3319	3393	3468	3628	3702	3777	3852										
4800	3009	3087	3166	3244	3323	3402	3480	3644	3723	3801	3880											
5000	3049	3129	3210	3290	3371	3451	3617	3698	3778	3859	3939											
5200	3283	3368	3452	3537	3621	3791	3876	3960	4044	4129												
5400	3323	3410	3496	3583	3754	3841	3927	4014	4100													
5600	3363	3452	3540	3628	3802	3891	3979	4067														
5800	3427	3519	3611	3789	3881	3974	4066	4158														
6000	3466	3561	3655	3835	3929	4023	4118															
6200	3556	3654	3838	3936	4035	4133	4231															
6400	3596	3696	3882	3982	4082	4183																
6600	3636	3738	3926	4028	4130	4232																
6800	3699	3805	3997	4103	4209																	

Products over 5600 mm in width or height can be collected or will require a quotation for delivery

Industrial



- Slat, Guide & Bottom Rail**
- Slat Type – Double skinned, foam insulated, galvanised steel
 - Slat Size – 77 mm
 - Default Guide – 95 mm x 34 mm extruded aluminium channel
 - Guide Angle – 75 mm x 50 mm galvanised angle, 5 mm thick
 - Bottom Rail – Extruded aluminium section
 - Bottom Rail Size – 77 mm high
 - Bottom Rail Rubber – Included

- Optional Guides**
- None
- Standard colours**
- Galv/Unpainted
- Motor**
- 3 Phase GfA

Reveal fitted within an opening

Clear Opening Height (mm)	Clear Opening Width (mm)																				End Plate Size (mm)	
	2000	2200	2400	2600	2800	3000	3200	3400	3600	3800	4000	4200	4400	4600	4800	5000	5200	5400	5600	5800		6000
2000	2700	2741	2782	2823	2864	2905	2946	2988	3029	3070	3111	3152	3193	3234	3275	3316	3357	3422	3464	3506	3548	350
2200	2759	2802	2845	2888	2931	2974	3017	3060	3103	3146	3189	3232	3275	3319	3362	3405	3448	3514	3558	3602	3646	
2400	2841	2888	2935	2982	3029	3076	3123	3170	3217	3264	3311	3358	3405	3452	3499	3546	3616	3664	3711	3759	3807	
2600	2900	2949	2998	3047	3096	3145	3194	3243	3292	3341	3390	3439	3487	3536	3585	3634	3706	3756	3806	3856	3905	
2800	2959	3010	3061	3111	3162	3213	3264	3315	3366	3417	3468	3519	3570	3621	3672	3745	3796	3848	3900	3952	4164	
3000	3018	3070	3123	3176	3229	3282	3335	3388	3441	3494	3547	3600	3652	3705	3758	3833	3887	3941	3994	4048	4262	
3200	3181	3237	3294	3351	3408	3465	3522	3579	3635	3692	3749	3806	3863	3920	3998	4055	4113	4171	4228	4441	4504	
3400	3239	3298	3357	3416	3475	3534	3592	3651	3710	3769	3828	3887	3945	4004	4084	4144	4203	4263	4323	4538	400	
3600	3298	3359	3420	3481	3542	3602	3663	3724	3785	3845	3906	3967	4028	4089	4171	4232	4294	4355				
3800	3381	3445	3510	3575	3640	3704	3769	3834	3898	3963	4028	4093	4157	4242	4308	4374	4439				450	
4000	3439	3506	3573	3640	3706	3773	3840	3906	3973	4040	4106	4173	4240	4327	4394	4462						
4200	3532	3603	3673	3744	3815	3885	3956	4027	4097	4168	4239	4309	4380	4471							500	
4400	3591	3664	3736	3809	3881	3954	4027	4099	4172	4245	4317	4390	4482									
4600	3650	3724	3799	3874	3948	4023	4097	4172	4247	4321	4396	4470									550	
4800	3732	3811	3889	3968	4046	4125	4203	4282	4360	4439	4517											
5000	3791	3871	3952	4032	4113	4193	4274	4354	4435	4515	4596										500	
5200	4049	4134	4218	4303	4387	4471	4556	4640	4725	4809												
5400	4108	4195	4281	4367	4454	4540	4627	4713	4799												500	
5600	4167	4255	4344	4432	4521	4609	4697	4786														
5800	4249	4342	4434	4526	4619	4711	4803	4895													500	
6000	4308	4402	4497	4591	4685	4780	4874															
6200	4421	4520	4618	4716	4814	4913	5011														550	
6400	4480	4581	4681	4781	4881	4981																
6600	4539	4641	4744	4846	4948	5050															550	
6800	4621	4728	4834	4940	5046																	

Products over 5600 mm in width or height can be collected or will require a quotation for delivery

Industrial



Slat, Guide & Bottom Rail

- Slat Type – Double skinned, foam insulated, galvanised steel
- Slat Size – 95 mm
- Default Guide – 80 mm channel with brush inserts
- Guide Angle – 100 mm x 50 mm galvanised angle, 5 mm thick
- Bottom Rail – Extruded aluminium section
- Bottom Rail Size – 95 mm high
- Bottom Rail Rubber – Included

Optional Guides

- 80 mm wind channel with brush inserts **£45.00/m**

Standard colours

- Gal/Unpainted

Motor

- 3 Phase GfA

Reveal fitted within an opening

PLEASE NOTE: Mandatory wind lock guides beyond this line – included in price shown

Clear Opening Height (mm)

Guides will come split and require assembling on site (6.4 m +)

	Clear Opening Width (mm)																									End Plate Size (mm)	
	2000	2200	2400	2600	2800	3000	3200	3400	3600	3800	4000	4200	4400	4600	4800	5000	5200	5400	5600	5800	6000	6200	6400	6600	6800		7000
2000	2783	2831	2878	2926	2973	3020	3068	3115	3163	3210	3258	3305	3353	3400	3447	3495	3542	3590	3637	3748	3795	3843	3890	4113	4165	4218	350
2200	2850	2900	2950	2999	3049	3099	3149	3199	3249	3299	3349	3399	3449	3499	3549	3599	3648	3698	3748	3867	3917	3967	4186	4241	4296	4352	
2400	2916	2969	3021	3073	3126	3178	3231	3283	3335	3388	3440	3493	3545	3597	3650	3702	3755	3807	3859	3985	4038	4090	4312	4370	4428	4485	350
2600	2983	3037	3092	3147	3202	3257	3312	3367	3422	3477	3531	3586	3641	3696	3751	3806	3861	3916	3971	4104	4159	4379	4439	4499	4559	4619	
2800	3049	3106	3164	3221	3279	3336	3393	3451	3508	3565	3623	3680	3738	3795	3852	3910	3967	4024	4082	4223	4440	4502	4565	4627	4690	4752	350
3000	3115	3175	3235	3295	3355	3415	3475	3534	3594	3654	3714	3774	3834	3894	3953	4013	4073	4133	4193	4341	4561	4626	4691	4756	4821	4886	
3200	3263	3325	3388	3450	3512	3575	3637	3699	3762	3824	3886	3949	4011	4073	4136	4198	4260	4323	4385	4695	4763	4830	4898	4965	5033	5100	350
3400	3329	3394	3459	3524	3589	3654	3718	3783	3848	3913	3978	4042	4107	4172	4237	4302	4367	4431	4496	4814	4884	4954	5024	5094	5164	5234	
3600	3396	3463	3530	3598	3665	3732	3800	3867	3934	4002	4069	4136	4204	4271	4338	4406	4473	4540	4607	4933	5005	5078	5150	5223	5295	5368	350
3800	3462	3532	3602	3672	3741	3811	3881	3951	4021	4090	4160	4230	4300	4370	4439	4509	4579	4649	4868	5051	5126	5201	5276	5351	5455	5530	
4000	3558	3632	3707	3782	3857	3932	4006	4081	4156	4231	4305	4380	4455	4530	4604	4679	4754	4829	5053	5250	5330	5410	5490	5569	5678	5758	350
4200	3635	3712	3789	3867	3944	4021	4098	4176	4253	4330	4407	4485	4562	4639	4716	4794	4871	5092	5175	5379	5462	5544	5626	5737	5820	5997	
4400	3701	3781	3861	3940	4020	4100	4180	4259	4339	4419	4499	4578	4658	4738	4817	4897	4977	5201	5286	5498	5583	5668	5752	5866	5951	6130	350
4600	3768	3850	3932	4014	4097	4179	4261	4343	4425	4508	4590	4672	4754	4836	4919	5001	5083	5309	5397	5616	5704	5791	5907	5994	6082		
4800	3834	3919	4004	4088	4173	4258	4342	4427	4512	4596	4681	4766	4851	4935	5020	5105	5328	5418	5508	5735	5853	5943	6033				350
5000	3901	3988	4075	4162	4249	4336	4424	4511	4598	4685	4772	4860	4947	5034	5121	5208	5434	5527	5619	5882	5975	6067					
5200	4143	4233	4323	4412	4502	4592	4681	4771	4861	4950	5040	5130	5219	5309	5399	5488	5717	5840	5935	6177	6272	6367					350
5400	4210	4302	4394	4486	4578	4670	4763	4855	4947	5039	5131	5223	5316	5408	5500	5592	5852	5949	6046	6296	6393						
5600	4276	4371	4465	4560	4655	4749	4844	4939	5033	5128	5223	5317	5412	5506	5601	5858	5958	6058	6157	6415	6514						350
5800	4372	4471	4571	4670	4770	4870	4969	5069	5168	5268	5368	5467	5567	5666	5766	6028	6133	6237	6342	6613							
6000	4609	4711	4813	4915	5017	5119	5222	5324	5426	5528	5630	5732	5834	5936	6067	6303	6410	6517	6624								350
6200	4712	4816	4921	5026	5130	5235	5339	5444	5548	5653	5758	5862	5967	6100	6204	6443	6552	6662									
6400	4783	4890	4997	5104	5212	5319	5426	5533	5640	5747	5854	5961	6096	6204	6439	6551	6664										350
6600	4855	4964	5074	5183	5293	5402	5512	5622	5731	5841	5950	6060	6198	6307	6546	6660											
6800	4926	5038	5150	5262	5374	5486	5598	5710	5822	5934	6046	6187	6299	6411	6652												350
7000	4998	5112	5227	5341	5456	5570	5685	5799	5914	6028	6171	6286	6400	6515													

Industrial

Products over 5600 mm in width or height can be collected or will require a quotation for delivery



- Slat, Guide & Bottom Rail**
- Slat Type – Twin walled, foam insulated, galvanised steel
 - Slat Size – 100 mm
 - Default Guide – 80 mm channel with brush inserts
 - Guide Angle – 100 mm x 50 mm galvanised angle, 5 mm thick
 - Bottom Rail – Galvanised steel rail
 - Bottom Rail Size – 100 mm
 - Bottom Rail Rubber – Included
- Optional Guides**
- None
- Standard colours**
- Galv
- Motor**
- 3 Phase GfA

Reveal fitted within an opening

Clear Opening Height (mm)	Clear Opening Width (mm)																			End Plate Size (mm)	
	2000	2200	2400	2600	2800	3000	3200	3400	3600	3800	4000	4200	4400	4600	4800	5000	5200	5400	5600		5800
2000	2828	2874	2919	2965	3010	3056	3102	3147	3193	3238	3284	3330	3375	3421	3466	3512	3558	3603	3649	3849	400
2200	2897	2945	2994	3042	3091	3139	3188	3236	3285	3333	3382	3430	3479	3527	3576	3624	3673	3721	3919	3972	
2400	2966	3017	3069	3120	3171	3223	3274	3325	3377	3428	3480	3531	3582	3634	3685	3736	3788	3839	4039	4096	450
2600	3046	3100	3154	3208	3263	3317	3371	3425	3480	3534	3588	3642	3696	3751	3805	3859	3913	4111	4199	4259	
2800	3115	3172	3229	3286	3343	3400	3457	3514	3572	3629	3686	3743	3800	3857	3914	3971	4028	4258	4320	4382	500
3000	3184	3244	3304	3364	3424	3484	3544	3604	3664	3723	3783	3843	3903	3963	4023	4083	4310	4376	4441	4441	
3200	3253	3316	3379	3442	3504	3567	3630	3693	3756	3818	3881	3944	4007	4069	4132	4224	4425				550
3400	3322	3388	3454	3519	3585	3651	3716	3782	3847	3913	3979	4044	4110	4176	4270	4469					
3600	3391	3460	3528	3597	3665	3734	3802	3871	3939	4008	4077	4145	4214	4311	4379	4582					500
3800	3460	3532	3603	3675	3746	3817	3889	3960	4031	4103	4174	4274	4346	4417	4617						
4000	3529	3604	3678	3752	3826	3901	3975	4049	4123	4198	4300	4375	4449	4523							550
4200	3775	3852	3929	4006	4083	4160	4238	4315	4392	4497	4575	4652	4729								
4400	3844	3924	4004	4084	4164	4244	4324	4404	4512	4592	4672	4752									500
4600	3913	3996	4079	4162	4244	4327	4410	4521	4604	4687	4770										
4800	4015	4104	4192	4281	4369	4458	4575	4664	4752	4841											550
5000	4084	4176	4267	4358	4450	4570	4661	4753	4844												
5200	4153	4247	4342	4436	4530	4653	4748	4842													500
5400	4222	4319	4417	4514	4639	4737	4834	4931													
5600	4323	4423	4523	4651	4751	4851	4951														550
5800	4392	4495	4598	4729	4832	4935															

Products over 5600 mm in width and 5400 mm in height can be collected or will require a quotation for delivery

Industrial



Slat, Guide & Bottom Rail

- Slat Type – 22g single skin, scrolled galvanised steel
- Slat Size – 75 mm
- Default Guide – 65 mm U Channel
- Guide Angle – 75 mm x 50 mm galvanised angle, 5 mm thick
- Bottom Rail – T rail
- Bottom Rail Size – 68 mm high
- Bottom Rail Rubber – D-rubber optional

Optional Guides

- 65 mm wind channel £45.00/m
- 100 mm U Channel £15.00/m
- 100 mm wind channel £60.00/m

Standard colours

- Galv

Face fitted around an opening

Clear Opening Width (mm)

End Plate Size (mm)

Clear Opening Height (mm)	Clear Opening Width (mm)																End Plate Size (mm)
	2000	2200	2400	2600	2800	3000	3200	3400	3600	3800	4000	4200	4400	4600	4800	5000	
2000	1672	1688	1707	1722	1741	1756	1836	1851	1870	1885	1904	1919	1950	1965	1984	2075	400
2200	1703	1722	1741	1756	1775	1794	1874	1893	1912	1931	1946	1965	1995	2014	2033	2128	
2400	1726	1745	1764	1783	1802	1881	1900	1919	1938	1957	1976	2007	2030	2045	2144	2159	
2600	1748	1767	1786	1809	1824	1908	1927	1946	1965	1988	2003	2037	2060	2079	2174	2193	
2800	1775	1798	1817	1840	1923	1942	1965	1988	2011	2030	2064	2087	2182	2204	2223	2246	
3000	1798	1821	1840	1866	1950	1969	1992	2014	2037	2071	2090	2189	2212	2235	2254	2277	
3200	1821	1843	1870	1889	1973	1995	2018	2056	2075	2098	2121	2220	2246	2265	2288	2311	
3400	1855	1874	1961	1988	2011	2033	2056	2094	2121	2140	2242	2265	2292	2311	2337	2394	
3600	1874	1897	1984	2011	2033	2060	2083	2121	2147	2170	2273	2299	2322	2345	2368	2425	
3800	1897	1919	2007	2037	2060	2087	2125	2147	2174	2197	2299	2326	2349	2379	2436	2463	
4000	2011	2033	2041	2068	2094	2121	2163	2189	2216	2318	2341	2372	2398	2425	2482	2512	
4200	2033	2060	2064	2094	2121	2140	2189	2216	2242	2345	2375	2402	2459	2489	2520	2543	
4400	2060	2090	2098	2125	2144	2174	2318	2345	2375	2417	2448	2478	2505	2535	2668	2698	
4600	2083	2113	2125	2151	2174	2201	2345	2372	2402	2451	2478	2508	2535	2565	2698	2733	
4800	2106	2136	2136	2166	2197	2341	2372	2398	2432	2478	2505	2539	2565	2596	2736	2763	
5000	2136	2166	2170	2201	2231	2379	2410	2444	2470	2520	2554	2581	2721	2752	2782	2816	



Slat, Guide & Bottom Rail

- Slat Type – 22g single skin, scrolled galvanised steel
- Slat Size – 75 mm
- Default Guide – 65 mm U Channel
- Guide Angle – 75 mm x 50 mm galvanised angle, 5 mm thick
- Bottom Rail – T rail
- Bottom Rail Size – 68 mm high
- Bottom Rail Rubber – D-rubber optional

Optional Guides

- 65 mm wind channel £45.00/m
- 100 mm U Channel £15.00/m
- 100 mm wind channel £60.00/m

Standard colours

- Galv

Reveal fitted within an opening

	Clear Opening Width (mm)																End Plate Size (mm)
	2000	2200	2400	2600	2800	3000	3200	3400	3600	3800	4000	4200	4400	4600	4800	5000	
2000	1855	1874	1889	1908	1923	1942	2018	2037	2052	2071	2087	2106	2136	2151	2166	2261	400
2200	1900	1916	1938	1954	1969	1992	2071	2087	2109	2125	2144	2163	2193	2208	2231	2322	
2400	1935	1950	1973	1988	2011	2087	2109	2125	2147	2163	2185	2216	2235	2254	2349	2368	
2600	1969	1984	2007	2026	2045	2128	2147	2166	2185	2208	2223	2258	2280	2299	2394	2413	
2800	2007	2030	2049	2071	2155	2174	2193	2220	2239	2261	2296	2315	2413	2436	2455	2478	
3000	2041	2064	2083	2109	2193	2212	2235	2258	2280	2315	2334	2432	2455	2478	2497	2520	
3200	2079	2098	2125	2144	2227	2250	2273	2311	2330	2353	2375	2474	2501	2520	2543	2565	
3400	2121	2140	2227	2254	2277	2299	2322	2360	2387	2406	2508	2535	2558	2581	2603	2660	
3600	2151	2174	2261	2288	2311	2337	2360	2402	2425	2451	2550	2577	2600	2622	2645	2706	
3800	2185	2212	2299	2326	2353	2375	2413	2440	2463	2489	2592	2615	2641	2668	2725	2752	
4000	2311	2337	2345	2368	2398	2421	2467	2489	2520	2619	2645	2676	2698	2729	2786	2816	
4200	2349	2372	2379	2410	2432	2451	2505	2527	2558	2660	2687	2717	2774	2805	2831	2858	
4400	2387	2413	2421	2451	2470	2501	2641	2672	2702	2744	2774	2801	2831	2858	2995	3025	
4600	2421	2451	2459	2489	2508	2539	2683	2710	2740	2786	2816	2843	2873	2904	3037	3071	
4800	2455	2486	2486	2516	2546	2691	2721	2748	2782	2828	2854	2888	2915	2945	3086	3113	
5000	2497	2527	2531	2562	2592	2740	2771	2805	2831	2881	2915	2942	3082	3113	3143	3177	



Slat, Guide & Bottom Rail

- Slat Type – 20g single skin, scrolled galvanised steel
- Slat Size – 75 mm
- Default Guide – 65 mm U Channel
- Guide Angle – 75 mm x 50 mm galvanised angle, 5 mm thick
- Bottom Rail – T rail
- Bottom Rail Size – 68 mm high
- Bottom Rail Rubber – D-rubber optional

Optional Guides

- 65 mm wind channel £45.00/m
- 100 mm U Channel £15.00/m
- 100 mm wind channel £60.00/m

Standard colours

- Galv

Face fitted around an opening

Clear Opening Width (mm)

End Plate Size (mm)

Clear Opening Height (mm)	Clear Opening Width (mm)																End Plate Size (mm)
	2000	2200	2400	2600	2800	3000	3200	3400	3600	3800	4000	4200	4400	4600	4800	5000	
2000	1737	1756	1783	1802	1889	1912	1950	1969	1995	2014	2117	2136	2197	2216	2242	2261	400
2200	1771	1798	1821	1847	1931	1957	1995	2022	2045	2071	2170	2197	2254	2280	2307	2334	
2400	1798	1824	1851	1878	1965	2003	2030	2056	2079	2109	2212	2235	2292	2322	2349	2372	
2600	1824	1851	1878	1904	1995	2037	2060	2090	2117	2144	2246	2273	2334	2360	2387	2413	
2800	1859	1889	1980	2014	2041	2083	2113	2140	2170	2201	2303	2334	2394	2425	2451	2482	
3000	1950	1976	2011	2041	2083	2113	2144	2174	2204	2311	2341	2406	2436	2463	2497	2524	
3200	1976	2007	2037	2071	2113	2147	2174	2208	2239	2345	2413	2440	2474	2505	2535	2569	
3400	2011	2045	2083	2113	2159	2193	2227	2334	2368	2402	2470	2505	2535	2569	2603	2676	
3600	2037	2071	2109	2140	2189	2223	2258	2372	2402	2440	2505	2539	2577	2607	2645	2721	
3800	2064	2098	2136	2170	2220	2254	2368	2402	2436	2508	2539	2577	2615	2649	2725	2763	
4000	2102	2140	2170	2204	2265	2303	2413	2486	2524	2562	2600	2638	2782	2816	2854	2961	
4200	2117	2159	2197	2235	2387	2425	2482	2516	2558	2596	2744	2778	2816	2858	2961	3002	
4400	2159	2197	2239	2280	2432	2470	2527	2569	2611	2649	2797	2839	2877	2919	3029	3071	
4600	2182	2227	2265	2307	2463	2508	2562	2603	2645	2683	2835	2877	2919	2957	3071	3113	
4800	2208	2254	2406	2451	2493	2554	2592	2638	2679	2831	2869	2915	3025	3071	3109	3154	
5000	2246	2292	2451	2497	2539	2600	2645	2691	2733	2885	2930	3044	3090	3132	3177	3223	



Slat, Guide & Bottom Rail

- Slat Type – 20g single skin, scrolled galvanised steel
- Slat Size – 75 mm
- Default Guide – 65 mm U Channel
- Guide Angle – 75 mm x 50 mm galvanised angle, 5 mm thick
- Bottom Rail – T rail
- Bottom Rail Size – 68 mm high
- Bottom Rail Rubber – D-rubber optional

Optional Guides

- 65 mm wind channel £45.00/m
- 100 mm U Channel £15.00/m
- 100 mm wind channel £60.00/m

Standard colours

- Galv

Reveal fitted within an opening

	Clear Opening Width (mm)																End Plate Size (mm)
	2000	2200	2400	2600	2800	3000	3200	3400	3600	3800	4000	4200	4400	4600	4800	5000	
2000	1919	1942	1965	1988	2075	2094	2132	2155	2178	2201	2299	2322	2379	2402	2425	2448	400
2200	1969	1992	2018	2041	2128	2155	2193	2216	2242	2265	2368	2391	2451	2474	2505	2527	
2400	2007	2030	2060	2083	2170	2208	2239	2261	2288	2318	2417	2444	2501	2531	2554	2581	
2600	2045	2071	2098	2125	2216	2258	2280	2311	2334	2364	2467	2493	2550	2581	2607	2634	
2800	2090	2121	2212	2242	2273	2315	2345	2372	2402	2429	2535	2565	2626	2657	2683	2714	
3000	2193	2220	2254	2284	2326	2356	2387	2417	2448	2554	2581	2649	2676	2706	2740	2767	
3200	2231	2261	2292	2326	2368	2402	2429	2463	2497	2600	2668	2695	2729	2759	2790	2824	
3400	2277	2311	2349	2379	2429	2459	2493	2603	2634	2668	2736	2771	2805	2835	2869	2945	
3600	2318	2349	2387	2421	2470	2501	2535	2649	2679	2717	2786	2816	2854	2888	2923	2999	
3800	2356	2387	2425	2463	2508	2546	2657	2691	2729	2797	2831	2869	2904	2938	3018	3052	
4000	2402	2444	2470	2508	2565	2603	2717	2790	2824	2862	2904	2938	3082	3120	3158	3261	
4200	2432	2474	2508	2546	2702	2740	2793	2831	2873	2907	3056	3094	3128	3170	3276	3318	
4400	2482	2524	2565	2607	2755	2797	2854	2892	2934	2976	3124	3162	3204	3246	3356	3394	
4600	2520	2562	2603	2645	2801	2843	2900	2942	2983	3021	3173	3215	3257	3295	3409	3451	
4800	2558	2603	2755	2801	2843	2904	2942	2987	3029	3181	3219	3265	3375	3420	3458	3504	
5000	2607	2653	2812	2858	2900	2961	3006	3052	3094	3246	3291	3405	3451	3493	3538	3584	



Slat, Guide & Bottom Rail

- Slat Type – Double skinned, foam insulated, galvanised steel
- Slat Size – 77 mm
- Default Guide – 95 mm extruded aluminium channel
- Guide Angle – 75 mm x 50 mm galvanised angle, 5 mm thick
- Bottom Rail – extruded aluminium section
- Bottom Rail Size – 77 mm high
- Bottom Rail Rubber – included

Optional Guides

- None

Standard colours

- Galv/unpainted

Face fitted around an opening

	Clear Opening Width (mm)																End Plate Size (mm)
	2000	2200	2400	2600	2800	3000	3200	3400	3600	3800	4000	4200	4400	4600	4800	5000	
2000	1942	1980	2014	2052	2155	2193	2242	2280	2315	2353	2467	2501	2573	2611	2645	2687	400
2200	1980	2022	2060	2102	2201	2239	2296	2330	2372	2410	2527	2562	2638	2672	2714	2755	
2400	2041	2087	2128	2174	2277	2334	2375	2417	2459	2505	2622	2668	2740	2786	2828	2869	
2600	2083	2128	2170	2216	2322	2383	2425	2470	2516	2562	2683	2725	2805	2850	2896	2938	
2800	2121	2166	2277	2322	2372	2429	2478	2524	2573	2615	2740	2786	2869	2915	2961	3006	
3000	2223	2273	2322	2372	2432	2482	2531	2577	2622	2748	2797	2881	2930	2976	3025	3075	
3200	2284	2337	2391	2440	2505	2558	2611	2664	2717	2847	2934	2983	3037	3086	3139	3192	
3400	2326	2379	2432	2489	2554	2611	2664	2793	2850	2904	2987	3044	3097	3154	3208	3303	
3600	2364	2421	2474	2531	2603	2660	2714	2850	2900	2957	3048	3105	3162	3219	3276	3371	
3800	2425	2482	2543	2603	2679	2740	2873	2934	2995	3086	3147	3204	3265	3325	3428	3489	
4000	2467	2527	2577	2638	2725	2786	2923	3014	3078	3139	3204	3268	3432	3493	3553	3686	

- Slat, Guide & Bottom Rail**
- Slat Type – Double skinned, foam insulated, galvanised steel
 - Slat Size – 77 mm
 - Default Guide – 95 mm extruded aluminium channel
 - Guide Angle – 75 mm x 50 mm galvanised angle, 5 mm thick
 - Bottom Rail – extruded aluminium section
 - Bottom Rail Size – 77 mm high
 - Bottom Rail Rubber – included
- Optional Guides**
- None
- Standard colours**
- Galv/unpainted

Reveal fitted within an opening

Clear Opening Height (mm)	Clear Opening Width (mm)																End Plate Size (mm)
	2000	2200	2400	2600	2800	3000	3200	3400	3600	3800	4000	4200	4400	4600	4800	5000	
2000	2128	2163	2201	2239	2341	2379	2429	2463	2501	2539	2653	2687	2759	2793	2831	2873	400
2200	2178	2220	2258	2299	2398	2436	2493	2527	2569	2607	2725	2759	2835	2869	2911	2953	
2400	2250	2296	2337	2383	2486	2543	2584	2630	2668	2714	2831	2877	2949	2995	3037	3082	
2600	2303	2349	2394	2436	2543	2603	2649	2691	2736	2782	2904	2949	3025	3071	3116	3162	
2800	2356	2398	2512	2554	2603	2664	2710	2755	2805	2850	2976	3021	3101	3147	3196	3242	
3000	2470	2516	2565	2615	2679	2725	2774	2820	2869	2995	3044	3124	3173	3223	3272	3322	
3200	2543	2596	2649	2695	2763	2816	2869	2919	2972	3101	3189	3242	3295	3344	3398	3447	
3400	2592	2645	2698	2755	2824	2881	2930	3059	3116	3170	3257	3314	3367	3424	3477	3522	
3600	2645	2702	2755	2812	2881	2938	2995	3128	3181	3238	3329	3386	3443	3500	3557	3652	
3800	2717	2774	2835	2896	2968	3029	3166	3227	3284	3379	3439	3496	3557	3618	3721	3781	
4000	2771	2831	2881	2942	3029	3090	3227	3318	3382	3443	3508	3572	3736	3797	3857	3990	

SeceuroDoor Extras

Retail Price

Powder coating (see Page 27)

Please note that this product will be powder coated after it has been assembled. (priced on clear opening sizes)

Braselmann colours*

£45/m²

9002 – Grey White	3000 – Flame Red
9006 – White Aluminium	5010 – Gentian Blue
9007 – Grey Aluminium	6009 – Fir Green
9016 – Traffic White	7005 – Mouse Grey
8014 – Sepia	7044 – Silk Grey
7016 – Anthracite Grey	<i>*longer lead times may apply please enquire</i>

Plastisol coating

£35/m²

Please note that this finish applies to the external face of the curtain slat only. (priced on clear opening sizes)

Punched curtain/perforated curtain*

£38/m²

150 mm x 25 mm regular punched hole with 50 mm space between. Available as brick bond or in line configuration. Provides 25% vision. Not available in a galvanised finish, must be powder coated. Price does not include powder coating. (Priced on clear opening sizes). Max area per shutter = 16 m²

**excludes SeceuroDoor 77t, 95 and 100 – punching is available, please enquire*

Rubber 'D' seal

£19.99/m

For use with 'T' bottom slat

3 button hold to run control

Included in shutter price

TS 959 control system – included in shutter price

GfA TS 971 industrial safety edge upgrade kit – wireless

£749.00

Includes: sender/receiver, automatic close, wall mounted terminal box, 3 metre power cable with plugs. (Safety edge requires on site assembly) for doors up to 7 metres.

GfA TS 970 industrial safety edge upgrade kit – wired

£354.00

Includes: sender/receiver, automatic close, spiral cable, wall mounted terminal box, 3 metre power cable with plugs. (Safety edge requires on site assembly) for doors up to 6 metres.

GfA safety edge bumpers

£28.92

Rubber safety edge for GfA controls

£18.98

GfA photo cell kit (9 m)

£153.11

GfA photo cell kit (9 m up to 30 m)

£295.00

Panel mounted key switch

£88.00

For use with TS 971 – for either “part open” function or “on / off” function to immobilise the panel

GfA radio receiver

£235.00

For use with TS 970 control unit

GfA keyfob transmitters

£48.00

GfA loop detector

£349.00

For use with the TS 971 & TS 981 control units

GfA panel mounted latching stop button

£95.00

For use with TS 959 or TS 971 control unit

GfA motor/control unit cables Included in shutter price

3 m supplied as standard on doors up to 4 m tall

GfA motor/control unit cables

£59.00

5 m supplied as standard on doors between 4 m and 6 m tall

GfA motor/control unit cables

£69.00

7 m supplied as standard on doors between 6 m and 7 m tall

GfA motor/control unit cables

£89.00

9 m cable

GfA motor/control unit cables

£129.00

13 m cable

3 sided galvanised steel hood (300,350,400 & 450)

£24.99/m

3 sided galvanised steel hood (500 & 550)

£99.00/m

Galvanised steel facia

£9.00/m

Motor cover

£49.00

Dummy end cover

£22.50

Wicket door (internal only)

£656.25

Standard size – 565 mm x 1605 mm clear opening

Wicket door (internal only)

£842.10

Euro size – 800 mm x 1830 mm clear opening

Wicket door for external installations – Standard

£1400.00

Wicket door for external installations – Euro

£1600.00

Wicket door interlock

£197.40

To prevent the shutter from being operated while the wicket door is still closed

High usage applications

Enquire

Applications where the shutter will be required to open and close more than six times per hour, such as a car park. When ordering or requesting a quote please state the number of expected peak uses per hour or the number of car park users or spaces.

Lintel brushstrip (3 m length):

75 mm £49.00

50 mm £35.00

213 mm £299.00

Guide brushstrip (SeceuroDoor 95)

£35.00 per metre

Guide rubber seal (SeceuroDoor 95)

£16.78 per metre

Universal guide brush £14.50 per metre

Bullet locks* £59.00 per pair

For additional security on an electric shutter.

**must have double pin isolator box over 140 Nm – see below*

Double pin isolator box £133.33

To ensure that the bullet locks are removed before an electric shutter can be operated

Alternative motor Please ask for further details

Surcharge for Somfy motor

Inis Uno single pole switch Enquire

For one shutter (included in shutter price)

Inis Duo dual pole switch £35.02

For two shutters

Surface mount box £6.00

For use with Inis Uno & Duo

Flush mount box £6.00

For use with Inis Uno & Duo

Dual pole key switch £64.58

Momentary key switch to operate one or two shutters simultaneously

Flush mounted face plate £5.67

For use with the key switch

Key switch security housing £81.92

Padlockable metal housing supplied in a galvanised finish as standard – padlock not included

Group command for 4 shutters £198.50

Allows group or individual control of multiple shutters

Rollixo remote control £297.65

Kit includes 2 multi-channel hand transmitters, safety edge and bulk head light – safety edge only available on “L” bottom rail

Safety edge rubber £13.78 per metre

SeceuroSmart Professional £198.50

Includes 2 single channel transmitters but no safety edge or bulk head light – hold to run operation only

Safety photo cell £99.96

Safety photo cell cover £15.71

Remote control wireless key pad £187.20

Only compatible with Rollixo. This unit operates one door only.

Single channel remote transmitter £61.39

Transmitter battery £4.51

Two batteries per transmitter – type CR2016

Powder Coating

Introduction

Polyester powder coating is a surface finish applied to shutters and retractable gates in a solid, powder form after careful pre-treatment of the surface. The coating is fused by heat to produce a continuous film and curing of the coating gives its design properties. The result is a high performance finish that delivers exceptional corrosion protection, durability and resistance to yellowing making it suitable for both interior and exterior use. The process is virtually emission free, so is environmentally friendly.

Due to variations in our manufacturing process the guides and curtain may not be an exact match.

Features

- Typically 60-80 Microns coating thickness
- Excellent corrosion protection
- Superior colour stability
- Tough yet highly flexible

Extruded profiles and the aluminium shutter box profiles are powder coated in a satin finish (unless stated otherwise).

Gloss levels

Gloss (80% +/-5%): A highly reflective smooth surface. Gloss surfaces due to their highly reflective appearance tend to highlight surface imperfections.

Satin (65% +/-5%): A satin finish is not as reflective as the gloss finish and because of this is less likely to show any surface imperfections. Satin finishes also provide a good surface for cleaning and resisting abrasion. Unless stated otherwise this is the standard finish supplied.

Matt (30% +/-5%): A matt finish due to the low gloss level is very good at concealing surface imperfections. Due to the textured finish the surface is more difficult to clean than a surface with a higher gloss level.

Powder coating of the SeceuroDoor 100 will be to the external face only.

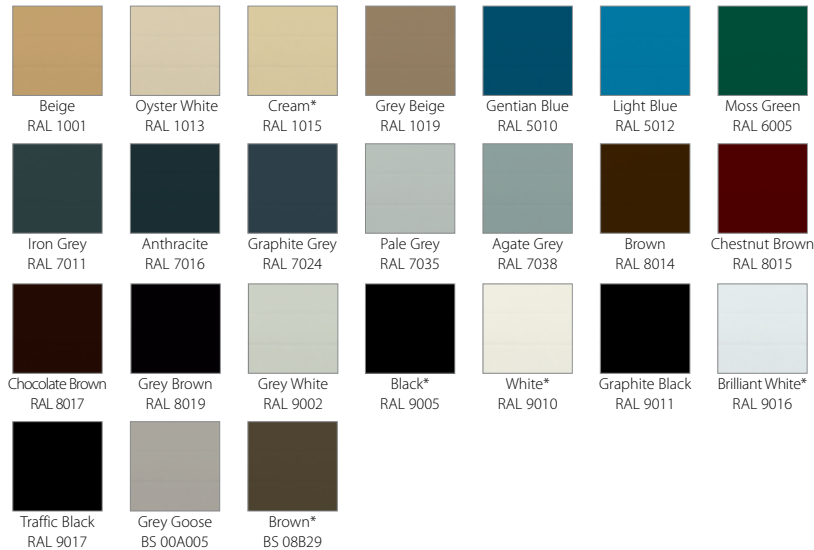
Touch-up paint

For repairing minor blemishes to the finish surface touch-up paint is available:

- Touch-up pen Code: PC006P1 – **£17.71**

PRICES FOR BOXES AND GUIDES FOR EACH BAND (per metre)	STD	A	B	C	D
Minimum powder coating charge		£67.60			
450 mm and smaller box and end plates (used if curtain does not require powder coating)	FOC	£31.48	£40.37	£49.25	POA
Guide rails and bottom slat to go with above	FOC	£6.46	£8.28	£10.10	POA
500 mm and larger box and end plates (used if curtain does not require powder coating)	FOC	£36.33	£46.58	£56.82	POA
Guide rails and bottom slat to go with above	FOC	£7.27	£9.32	£11.36	POA

BAND A – £36 PER m² For complete shutter (or curtain) using a colour listed in the band below.



* FOC on SeceuroShield 75 box, guides and curtain only



To see the full colour bands with the full range available visit www.sws.co.uk/ral-colour-chart

All colours are supplied in Satin as standard, Matt & Gloss are available.

Looking for something different?

If you require assistance identifying or selecting a colour which does not appear on our list of stock colours we can supply you with a RAL or BS colour chart.

BAND B – £46 PER m²



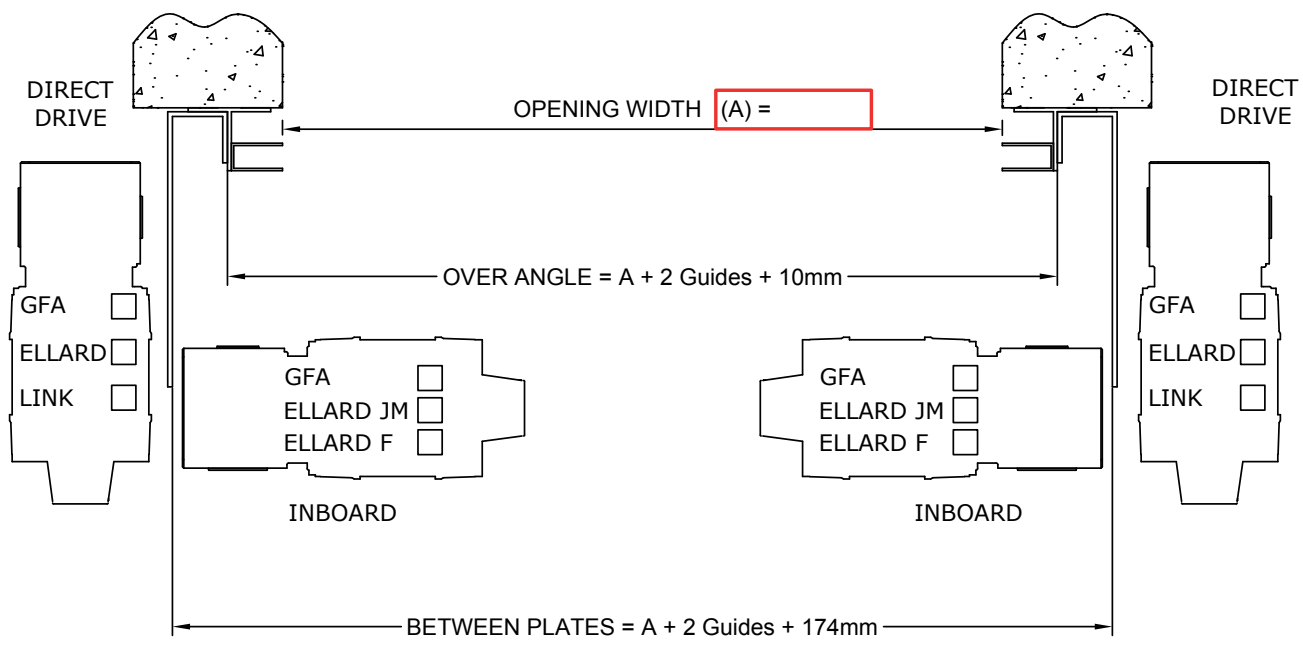
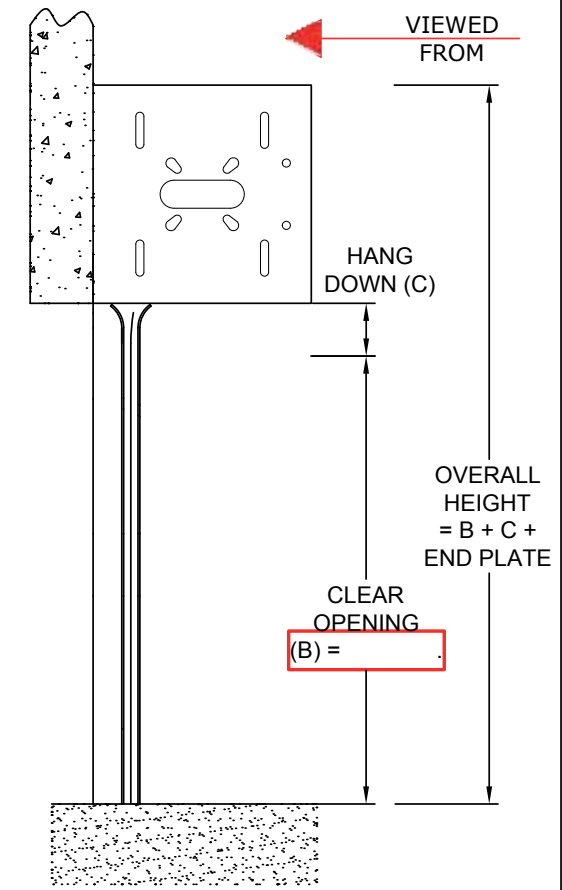
BAND C – £56 PER m²



SECEURODOOR INDUSTRIAL DOOR - FACE FIX - 75 77 95 100

THIS DRAWING MUST BE RETURNED WITH AN ORDER FORM

SINGLE PHASE POWER:	<input type="checkbox"/>	3 PHASE POWER:	<input type="checkbox"/>	GUIDE SIZE - 20g/22g (75x50 Guide Angle) (Straight) = G	<input type="checkbox"/>	65	<input type="checkbox"/>	100	<input type="checkbox"/>
				GUIDE SIZE - 20g/22g (75x50 Guide Angle) (Wind) = G	<input type="checkbox"/>	65	<input type="checkbox"/>	100	<input type="checkbox"/>
INSET ANGLE <input type="checkbox"/>		OUTSET ANGLE <input type="checkbox"/>		GUIDE SIZE - 77mm Insulated Slat (75x50 Guide Angle) = G	<input type="checkbox"/>		95	<input type="checkbox"/>	
				GUIDE SIZE - 95mm / 100mm Insulated Slat (100x50 Guide Angle) (Straight) = G	<input type="checkbox"/>		80	<input type="checkbox"/>	
END PLATE:	350	400	450	500	550			80	<input type="checkbox"/>
				GUIDE SIZE - 95mm Insulated Slat (100x50 Guide Angle) (Wind) = G	<input type="checkbox"/>		80	<input type="checkbox"/>	



END PLATE SELECTION BY OPENING HEIGHT						
	Hang Down	350	400	450	500	550
20G	50mm	2-3.8m	3.8-5m	5-6m	6-7m	
22G	50mm	2-3.8m	3.8-5m			
77	80mm	2-3m	3-4m	4-5m		
95	100mm	2-3m	3-4m	4-5m	5-6m	6-7m
100	100mm		2-3.5m	3.5-4.5m	4.5-5.8m	5.8-7m

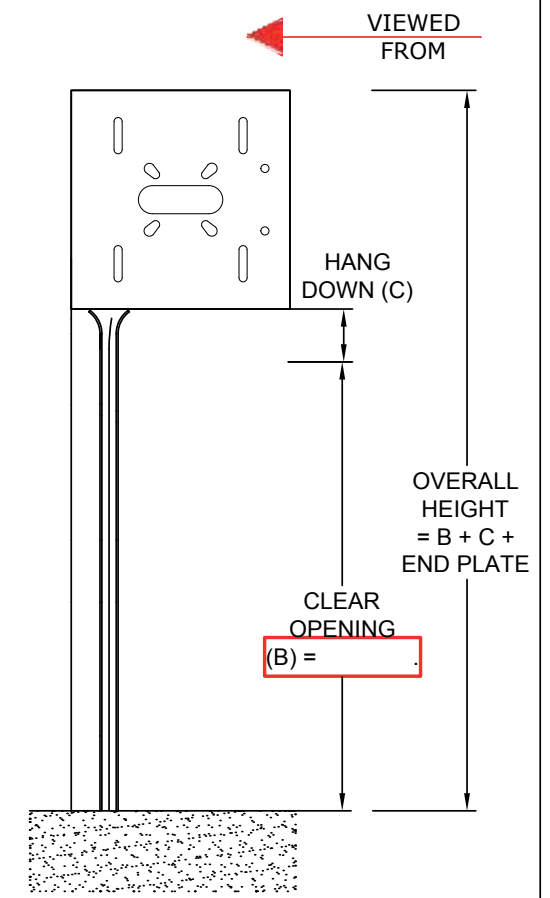
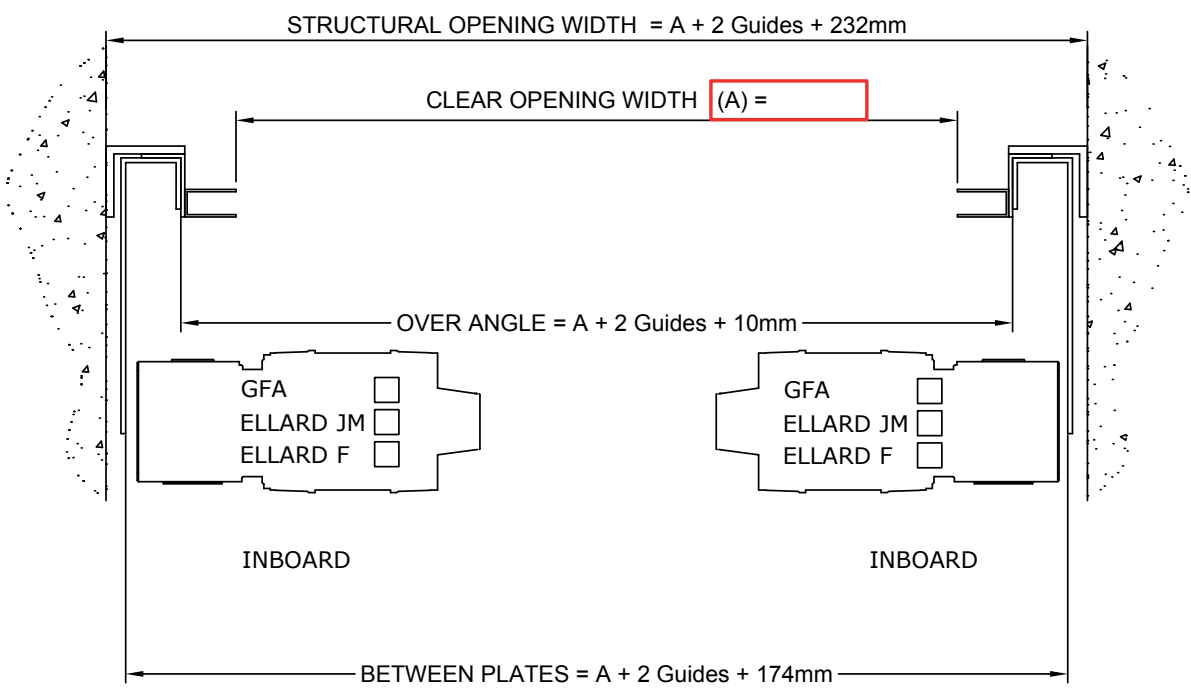
SWS UK
SeceuroDoor Industrial Doors
 THIS DRAWING IS THE PROPERTY OF SWS

NOT TO SCALE		QUANTITY:	COMPANY:
DRAWN BY:	PPC		
DATE:	09/10/15		JOB REF:
REV:	4		
DWG NO.:	INDUS001		SIGNATURE:
			DATE:

SECEURODOOR INDUSTRIAL DOOR - REVEAL FIX - 75 77 95 100

THIS DRAWING MUST BE RETURNED WITH AN ORDER FORM

SINGLE PHASE POWER:	<input type="checkbox"/>	3 PHASE POWER:	<input type="checkbox"/>	GUIDE SIZE - 20g/22g (75x50 Guide Angle) (Straight) = G	<input type="checkbox"/>	65	<input type="checkbox"/>	100	<input type="checkbox"/>
				GUIDE SIZE - 20g/22g (75x50 Guide Angle) (Wind) = G	<input type="checkbox"/>	65	<input type="checkbox"/>	100	<input type="checkbox"/>
OUTSET ANGLE <input type="checkbox"/>				GUIDE SIZE - 77mm Insulated Slat (75x50 Guide Angle) = G	<input type="checkbox"/>		95	<input type="checkbox"/>	
				GUIDE SIZE - 95mm / 100mm Insulated Slat (100x50 Guide Angle) (Straight) = G	<input type="checkbox"/>		80	<input type="checkbox"/>	
END PLATE: 350 <input type="checkbox"/> 400 <input type="checkbox"/> 450 <input type="checkbox"/> 500 <input type="checkbox"/> 550 <input type="checkbox"/>				GUIDE SIZE - 95mm Insulated Slat (100x50 Guide Angle) (Wind) = G	<input type="checkbox"/>		80	<input type="checkbox"/>	



STRUCTURE MUST BE CAPABLE OF CARRYING SHUTTER WEIGHT APPROX 25Kg / Sqm

END PLATE SELECTION BY OPENING HEIGHT

	Hang Down	350	400	450	500	550
20G	50mm	2-3.8m	3.8-5m	5-6m	6-7m	
22G	50mm	2-3.8m	3.8-5m			
77	80mm	2-3m	3-4m	4-5m		
95	100mm	2-3m	3-4m	4-5m	5-6m	6-7m
100	100mm		2-3.5m	3.5-4.5m	4.5-5.8m	5.8-7m

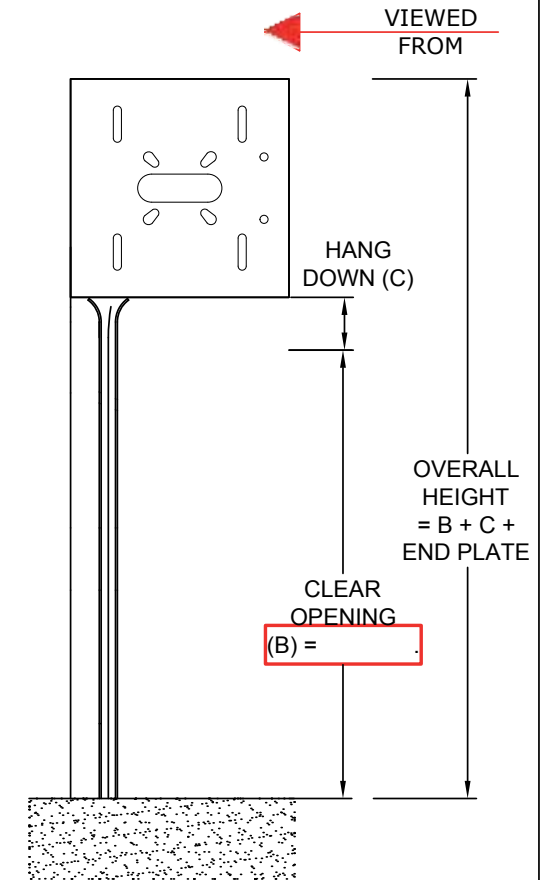
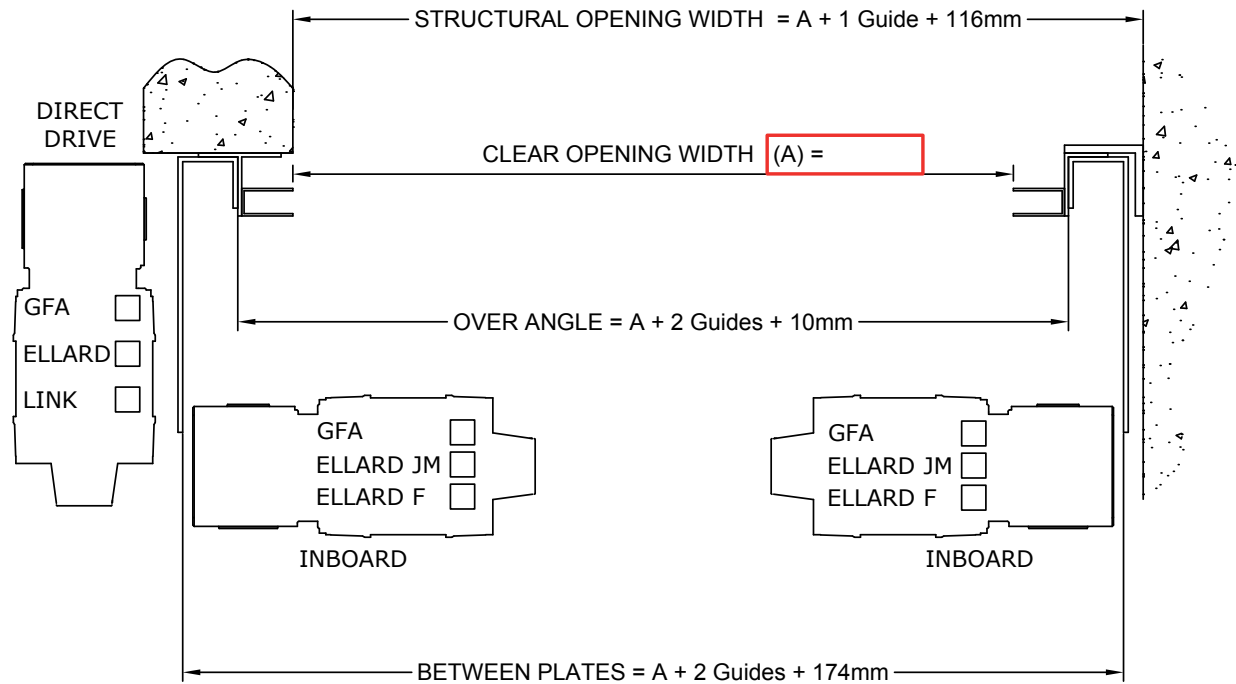
SWS UK
SeceuroDoor Industrial Doors
 THIS DRAWING IS THE PROPERTY OF SWS

NOT TO SCALE		QUANTITY:	COMPANY:
DRAWN BY:	PPC		
DATE:	09/10/15		
REV:	4		JOB REF:
DWG NO.:	INDUS002		SIGNATURE:
			DATE:

SECEURODOOR INDUSTRIAL DOOR - LH FACE FIX / RH REVEAL FIX - 75 77 95 100

THIS DRAWING MUST BE RETURNED WITH AN ORDER FORM

SINGLE PHASE POWER:	<input type="checkbox"/>	3 PHASE POWER:	<input type="checkbox"/>	GUIDE SIZE - 20g/22g (75x50 Guide Angle) (Straight) = G	<input type="checkbox"/>	65	<input type="checkbox"/>	100	<input type="checkbox"/>
				GUIDE SIZE - 20g/22g (75x50 Guide Angle) (Wind) = G	<input type="checkbox"/>	65	<input type="checkbox"/>	100	<input type="checkbox"/>
INSET ANGLE (Left Only)	<input type="checkbox"/>	OUTSET ANGLE (Left or Right)	<input type="checkbox"/>	GUIDE SIZE - 77mm Insulated Slat (75x50 Guide Angle) = G	<input type="checkbox"/>	95	<input type="checkbox"/>		<input type="checkbox"/>
				GUIDE SIZE - 95mm / 100mm Insulated Slat (100x50 Guide Angle) (Straight) = G	<input type="checkbox"/>	80	<input type="checkbox"/>		<input type="checkbox"/>
END PLATE:	350	400	450	500	550				
				GUIDE SIZE - 95mm Insulated Slat (100x50 Guide Angle) (Wind) = G	<input type="checkbox"/>	80	<input type="checkbox"/>		<input type="checkbox"/>



STRUCTURE MUST BE CAPABLE OF CARRYING SHUTTER WEIGHT APPROX 25Kg / Sqm

END PLATE SELECTION BY OPENING HEIGHT

	Hang Down	350	400	450	500	550
20G	50mm	2-3.8m	3.8-5m	5-6m	6-7m	
22G	50mm	2-3.8m	3.8-5m			
77	80mm	2-3m	3-4m	4-5m		
95	100mm	2-3m	3-4m	4-5m	5-6m	6-7m
100	100mm		2-3.5m	3.5-4.5m	4.5-5.8m	5.8-7m



THIS DRAWING IS THE PROPERTY OF SWS

NOT TO SCALE

DRAWN BY:	PPC
DATE:	09/10/15
REV:	4

QUANTITY: COMPANY:

JOB REF:

DWG NO.: **INDUS003**

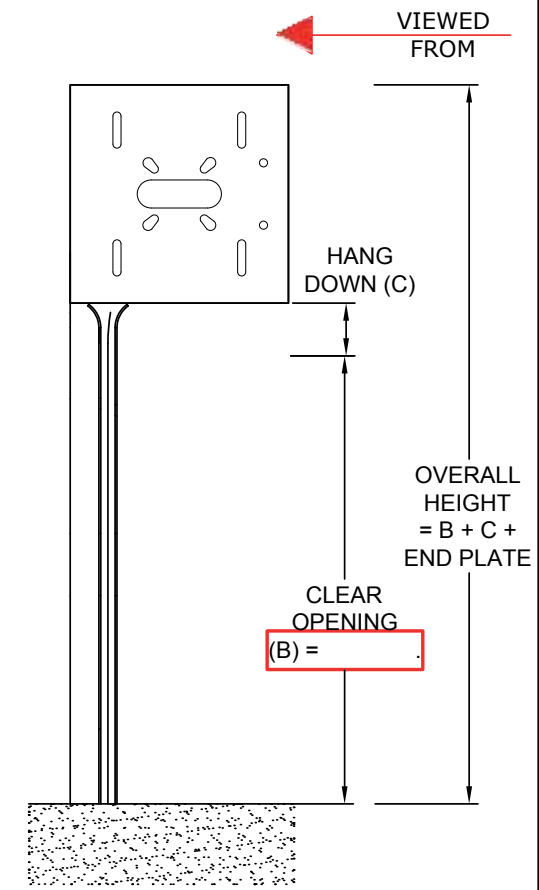
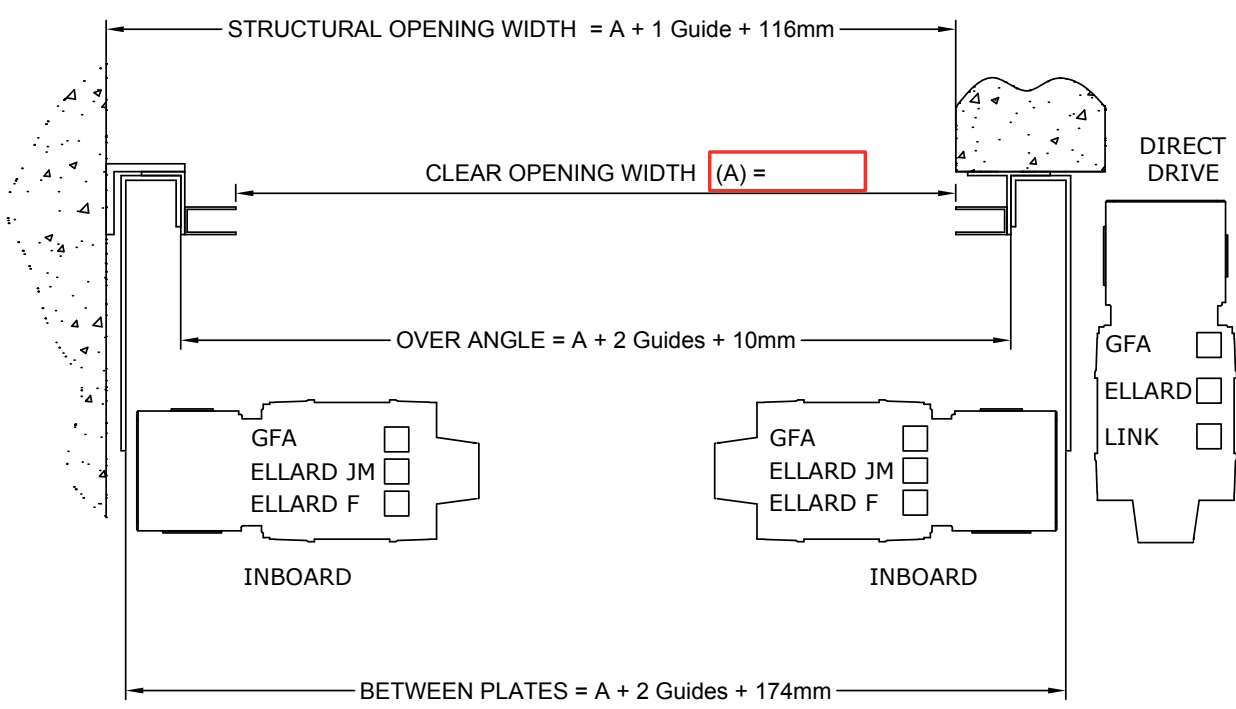
SIGNATURE:

DATE:

SECEURODOOR INDUSTRIAL DOOR - LH REVEAL FIX / RH FACE FIX - 75 77 95 100

THIS DRAWING MUST BE RETURNED WITH AN ORDER FORM

SINGLE PHASE POWER:	<input type="checkbox"/>	3 PHASE POWER:	<input type="checkbox"/>	GUIDE SIZE - 20g/22g (75x50 Guide Angle) (Straight) = G	<input type="checkbox"/>	65	<input type="checkbox"/>	100	<input type="checkbox"/>
				GUIDE SIZE - 20g/22g (75x50 Guide Angle) (Wind) = G	<input type="checkbox"/>	65	<input type="checkbox"/>	100	<input type="checkbox"/>
INSET ANGLE (Right Only) <input type="checkbox"/>		OUTSET ANGLE (Left or Right) <input type="checkbox"/>		GUIDE SIZE - 77mm Insulated Slat (75x50 Guide Angle) = G		<input type="checkbox"/>	95	<input type="checkbox"/>	<input type="checkbox"/>
				GUIDE SIZE - 95mm / 100mm Insulated Slat (100x50 Guide Angle) (Straight) = G		<input type="checkbox"/>	80	<input type="checkbox"/>	<input type="checkbox"/>
END PLATE: 350 <input type="checkbox"/> 400 <input type="checkbox"/> 450 <input type="checkbox"/> 500 <input type="checkbox"/> 550 <input type="checkbox"/>				GUIDE SIZE - 95mm Insulated Slat (100x50 Guide Angle) (Wind) = G		<input type="checkbox"/>	80	<input type="checkbox"/>	<input type="checkbox"/>



STRUCTURE MUST BE CAPABLE OF CARRYING SHUTTER WEIGHT APPROX 25Kg / Sqm

END PLATE SELECTION BY OPENING HEIGHT

	Hang Down	350	400	450	500	550
20G	50mm	2-3.8m	3.8-5m	5-6m	6-7m	
22G	50mm	2-3.8m	3.8-5m			
77	80mm	2-3m	3-4m	4-5m		
95	100mm	2-3m	3-4m	4-5m	5-6m	6-7m
100	100mm		2-3.5m	3.5-4.5m	4.5-5.8m	5.8-7m

SWS UK

SeceuroDoor Industrial Doors

THIS DRAWING IS THE PROPERTY OF SWS

NOT TO SCALE		QUANTITY:	COMPANY:
DRAWN BY:	PPC		
DATE:	09/10/15		JOB REF:
REV:	4		
DWG NO.:	INDUS004		SIGNATURE:
			DATE:

SECEURODOOR INDUSTRIAL DOOR CHAIN OPERATED MANUAL - FACE FIX - 75 77

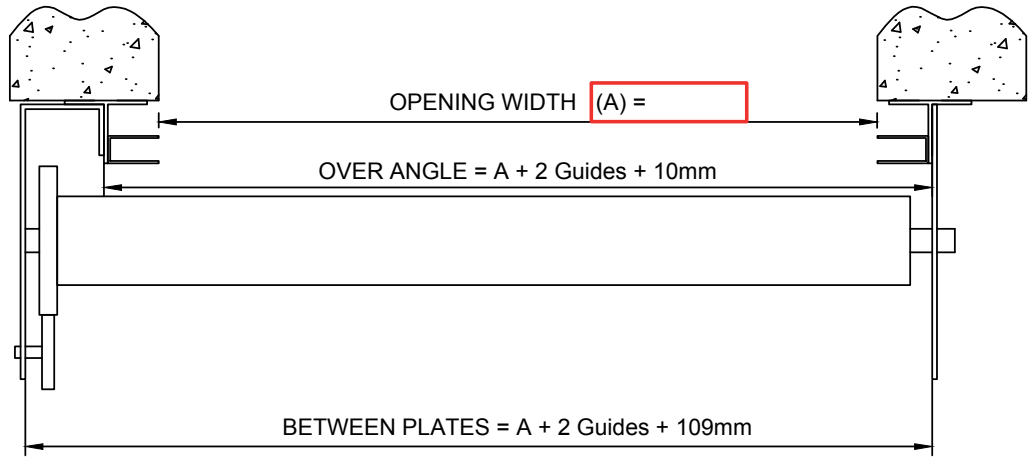
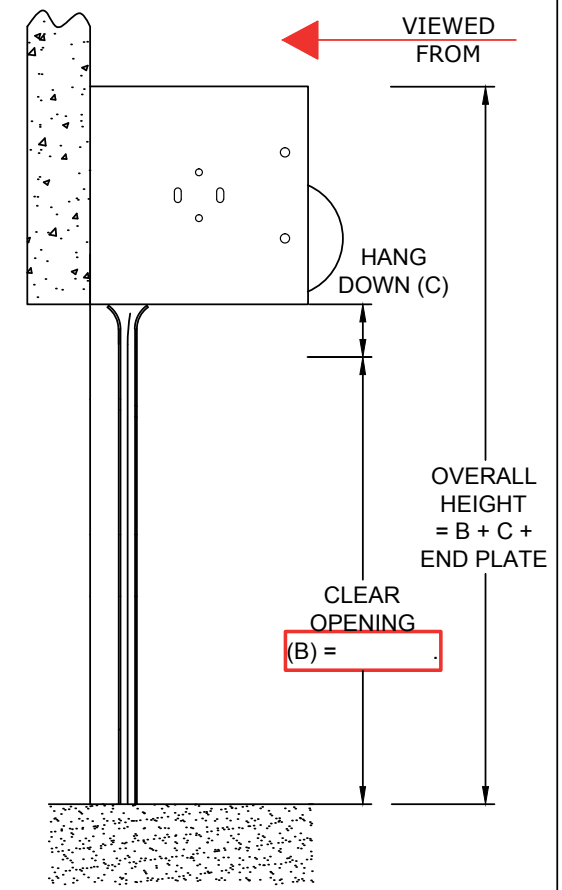
THIS DRAWING MUST BE RETURNED WITH AN ORDER FORM

INSET ANGLE OUTSET ANGLE

HANDING: LH RH

END PLATE: 400

GUIDE SIZE - 20g/22g (75x50 Guide Angle) (Straight) = G	<input type="checkbox"/>	65	100
GUIDE SIZE - 20g/22g (75x50 Guide Angle) (Wind) = G	<input type="checkbox"/>	65	100
GUIDE SIZE - 77mm Insulated Slat (75x50 Guide Angle) = G	<input type="checkbox"/>	95	



LEFT HAND OPERATION SHOWN

STRUCTURE MUST BE CAPABLE OF CARRYING SHUTTER WEIGHT APPROX 25Kg / Sqm

SWS UK

SeceuroDoor Industrial Doors

THIS DRAWING IS THE PROPERTY OF SWS

NOT TO SCALE		QUANTITY:	COMPANY:
DRAWN BY:	PBS		
DATE:	27/1/16		
REV:	2	JOB REF:	SIGNATURE:
DWG NO.:	INDUS005		

	Hang Down	400
20G	50mm	2-5m
22G	50mm	2-5m
77	80mm	2-4m

SECEURODOOR INDUSTRIAL DOOR CHAIN OPERATED MANUAL - REVEAL FIX - 75 77

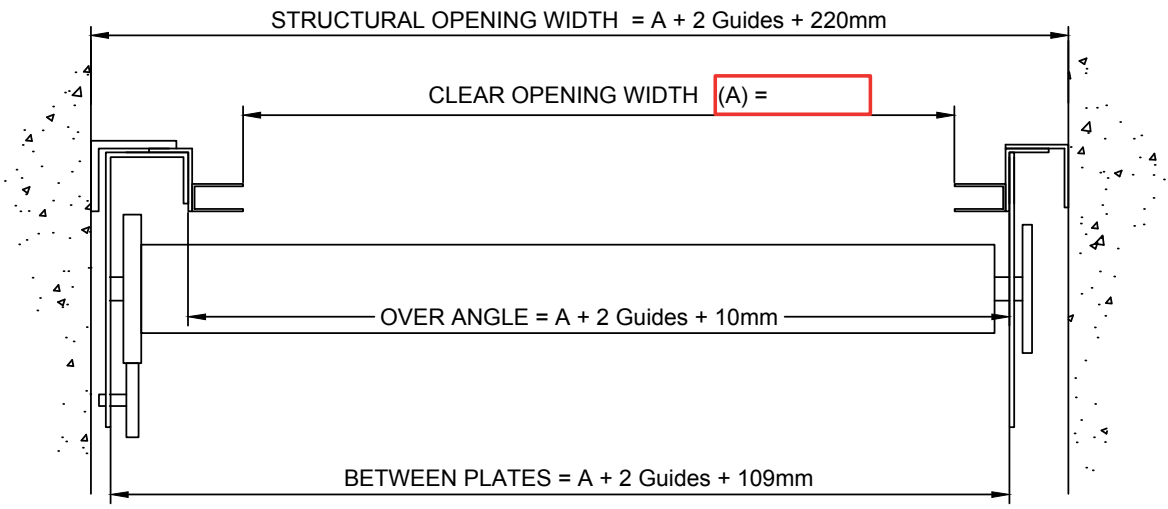
THIS DRAWING MUST BE RETURNED WITH AN ORDER FORM

OUTSET ANGLE

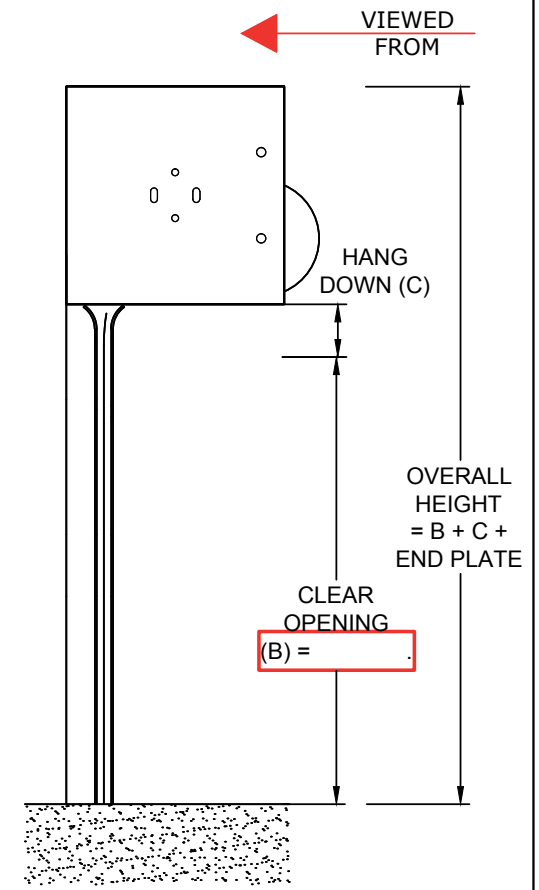
HANDING: LH RH

END PLATE: 400

GUIDE SIZE - 20g/22g (75x50 Guide Angle) (Straight) = G	<input type="checkbox"/>	65		100	
GUIDE SIZE - 20g/22g (75x50 Guide Angle) (Wind) = G	<input type="checkbox"/>	65		100	
GUIDE SIZE - 77mm Insulated Slat (75x50 Guide Angle) = G	<input type="checkbox"/>			95	



LEFT HAND OPERATION SHOWN



STRUCTURE MUST BE CAPABLE OF CARRYING SHUTTER WEIGHT APPROX 25Kg / Sqm

SWS UK
SeceuroDoor Industrial Doors
 THIS DRAWING IS THE PROPERTY OF SWS

NOT TO SCALE		QUANTITY:	COMPANY:	JOB REF:	SIGNATURE:
DRAWN BY:	PPC				
DATE:	28/01/16				
REV:	3	DWG NO.:	INDUS006	DATE:	

	Hang Down	400
20G	50mm	2-5m
22G	50mm	2-5m
77	80mm	2-4m



Industrial Door Order Form

ORDER FORM Fax: **(01524) 772411**
Tel: **(01524) 772400**
London Tel: **(020) 8540 1717**
Email: **orders@swsuk.co.uk**

Customer Ref No:

Customer:

Contact Name:

Contact Number:

Purchase Order No:

Order Date:

Normal delivery run: w/c Specific delivery date – POA

Palletised – POA Collection from Claughton Collection from London

Delivery to your premises Delivery to site

Site Delivery Address:

Site Contact:

Contact Number:

CUSTOMER MUST ENSURE A SUITABLE METHOD OF UNLOADING UPON DELIVERY.
2 MAN OFFLOAD AVAILABLE AT A SURCHARGE.

Quote Reference Drawing No.

Quantity Door Ref Dimension A Dimension B

Use separate order form unless doors are identical Clear Opening Width Clear Opening Height

Curtain Profile (*Galv and solid as standard*)

75 single skin – 22g 77 Insulated 100 Insulated

75 single skin – 20g 95 Insulated

Internal External

Office Use

Motor Hand **Power Supply**

Left Right 3 Phase Single Phase

(viewed from under coil)

Motor/Drive End Fitment

Face Fit **Inboard Motor Fit** **Reveal Fit**

Inset Angle Inset Angle

Outset Angle Outset Angle

Non-Drive End Fitment

Face Fit **Reveal Fit**

Inset Angle

Outset Angle

Motor Options **Face Fit** **Inboard/Reveal**

GfA

Link

Ellard

Ellard JM

Guide Options

Straight Channel **Wind Channel**

75 single skin 65 mm 100 mm 65 mm 100 mm

77 Insulated 95 mm

95 insulated 80 mm 80 mm

100 insulated: 80 mm

Curtain & Colour Options

75 single skin Punched Perforated

95 insulated Punched & Glazed

100 insulated: Punched & Glazed

Curtain Colour (RAL, BS or Plastisol)

Guides & Box Colour (RAL or BS)

Endplate Size

350 400 450 500 550

(Refer to pricelist or drawing)

Box Covers

Fascia Canopies/Hood

Motor Box Cover Endplate Sleeve

No Hoods

Other Options

Keyswitch

Interlocked Bullet Locks Height from floor

(Non-windlocked curtains only)

Bottom rail rubber D strip

GfA only Wired Safety Edge with TS970 Controller

GfA only Wireless Safety Edge with TS971 Controller

Accessories/Special Requirements

Signature.....

Print Name.....

Date.....



Commercial Shutter Order Form (Tubular Motor)

ORDER FORM Fax: **(01524) 772411**
 Tel: **(01524) 772400**
 London Tel: **(020) 8540 1717**
 Email: **orders@swsuk.co.uk**

Customer Ref No:

Customer:

Contact Name:

Contact Number:

Purchase Order No:

Order Date:

Normal delivery run: w/c Specific delivery date – POA

Palletised – POA Collection from Claughton Collection from London

Delivery to your premises Delivery to site

Site Delivery Address:

Site Contact:

Contact Number:

CUSTOMER MUST ENSURE A SUITABLE METHOD OF UNLOADING UPON DELIVERY.
 2 MAN OFFLOAD AVAILABLE AT A SURCHARGE.

Quote Reference Drawing No.

Quantity Door Ref Dimension A Dimension B

Use separate order form unless doors are identical Overall Width Overall Height

Curtain Profile (*Galv and solid as standard*)

75 single skin – 22g 77 Insulated (Not compatible with T or L rail)

75 single skin – 20g

Internal External

Office Use

SeceuroShield Style *7501 upgrade*

Traditional standard 75

Continental standard 75

Traditional insulated 77

Motorised Shutter Options

Left Right NRG Somfy (surcharge applies)

Shutter usage: Window Door

Manual Override Exit letter Interlocked Bullet Locks (Non-windlocked curtains only)

Viewed from the coil side of the door

Height from floor

Manual Shutter Options

Bottom slat lock Bullet Locks

Lock position: Under Coil Height from floor

Flat Back

Traditional Shutter Fitment Options

	<i>Left</i>	<i>Right</i>
Face fitted*	<input type="checkbox"/>	<input type="checkbox"/>
Side fitted	<input type="checkbox"/>	<input type="checkbox"/>
Inset angle	<input type="checkbox"/>	<input type="checkbox"/>
Outset angle	<input type="checkbox"/>	<input type="checkbox"/>

Traditional Guide Options

	<i>Standard Channel</i>			<i>Wind Channel</i>	
	50	65	100	65*	100
22g	<input type="checkbox"/>	<input type="checkbox"/>	<input type="checkbox"/>	<input type="checkbox"/>	<input type="checkbox"/>
20g	<input type="checkbox"/>	<input type="checkbox"/>	<input type="checkbox"/>	<input type="checkbox"/>	<input type="checkbox"/>

Continental Shutter Fitment Options

	<i>Left</i>	<i>Right</i>
Face fitted*	<input type="checkbox"/>	<input type="checkbox"/>
Side fitted	<input type="checkbox"/>	<input type="checkbox"/>

Curtain & Colour Options

75 single skin Punched Perforated

Curtain Colour (RAL, BS or Plastisol)

Guides & Box Colour (RAL or BS)

7500 Bottom Rail Options

T-rail* L-rail L-rail Reversed

Bottom T-rail rubber D strip

Box Covers

Fascia Canopies/Hood

Other Options

Keyswitch Group command

Remote control Photocell

**Mandatory for 7501 approval*

Accessories/Special Requirements

Signature.....

Print Name.....

Date.....



SeceuroDoor
Industrial Doors

Manual Chain Operated Industrial Door Order Form

Revision number: MC001

ORDER FORM Fax: **(01524) 772411**

Tel: **(01524) 772400**

London Tel: **(020) 8540 1717**

Email: **orders@swsuk.co.uk**

Customer Ref No:

Customer:

Contact Name:

Contact Number:

Purchase Order No:

Order Date:

Normal delivery run: w/c Specific delivery date – POA

Palletised – POA Collection from Claughton Collection from London

Delivery to your premises Delivery to site

Site Delivery Address:

Site Contact:

Contact Number:

**CUSTOMER MUST ENSURE A SUITABLE METHOD OF UNLOADING UPON DELIVERY.
2 MAN OFFLOAD AVAILABLE AT A SURCHARGE.**

Quote Reference Drawing No.

Quantity	Door Ref	Dimension A	Dimension B
<input type="text"/>	<input type="text"/>	<input type="text"/>	<input type="text"/>

Use separate order form unless doors are identical Clear Opening Width Clear Opening Height

Curtain Profile (*Galv and solid as standard*)

75 single skin – 22g 77 Insulated

75 single skin – 20g

Internal External

Office Use

Hand of Operation

Left Right
(viewed from under coil)



Viewed from the coil side of the door

Drive End Fitment

Face Fit **Reveal Fit**

Inset Angle

Outset Angle

Non-Drive End Fitment

Face Fit **Reveal Fit**

Inset Angle

Outset Angle

Guide Options

	Straight Channel	Wind Channel
75 single skin	<input type="checkbox"/> 65 mm <input type="checkbox"/> 100 mm	<input type="checkbox"/> 65 mm <input type="checkbox"/> 100 mm
77 Insulated	<input type="checkbox"/> 95 mm	

Curtain & Colour Options

75 single skin : Punched Perforated

Curtain Colour
(RAL, BS or Plastisol)

Guides & Box Colour
(RAL or BS)

Endplate Size

400
(Refer to price list or drawing)

Box Covers

Fascia Canopies/Hood

No Hoods Endplate Sleeve

Other Options

Bullet Locks (Non-windlocked curtains only) Height from floor

Bottom rail rubber D strip

Accessories/Special Requirements

Signature.....

Print Name.....

Date.....

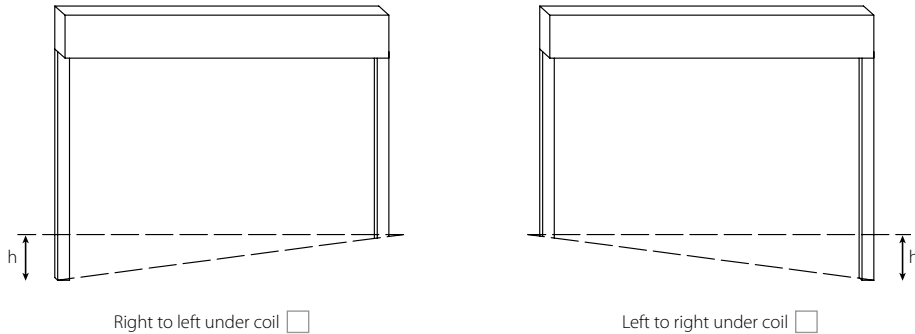
Customer		Order date	
Purchase order no.		Customer/job ref.	

THIS ORDER FORM MUST BE RETURNED WITH A SECEURODOOR OR A SECEUROSHIELD ORDER FORM WHEN A SLOPING BOTTOM SLAT IS REQUIRED.

Please ensure that you answer all the questions on the form to prevent your order from being delayed. **Please note:** This order form is accompanied by information in the right hand column detailing important surveying and ordering advice. Please tick this box to confirm that you have read this information.

1. ITEM REFERENCE:	
Overall door width (mm) [max. 5000 mm wide]:	
2. BOTTOM SLAT TYPE:	
L <input type="checkbox"/> T <input type="checkbox"/>	
3. DOOR TYPE:	
SeceuroShield 75 <input type="checkbox"/> SeceuroDoor 77t <input type="checkbox"/> SeceuroDoor 75 <input type="checkbox"/> SeceuroDoor 75c <input type="checkbox"/> SeceuroDoor 77c N/A	
SeceuroDoor 77 <input type="checkbox"/> SeceuroDoor 95 N/A <input type="checkbox"/> SeceuroDoor 100 N/A <input type="checkbox"/>	
4. BOTTOM SLAT COLOUR:	
Height difference (h) see diagrams below (mm):	

5. PLEASE SELECT THE PICTURE BELOW THAT SHOWS THE CORRECT SLOPE, ALWAYS VIEWED FACING THE COIL:



6. SLOPING BOTTOM SLAT TO BE SUPPLIED ATTACHED TO THE CURTAIN?
 YES NO (tick as appropriate) *will be supplied attached if not specified*

7. WILL THIS DOOR BE CONTROLLED BY A REMOTE CONTROL?
 YES NO (tick as appropriate)
Please note if a bottom slat transmitter is required it will have to be installed on the side with the shorter guide rail.

8.

OUTSIDE INSIDE
 Please tick the appropriate box to indicate how the door will be installed

SLOPING BOTTOM SLATS

IMPORTANT INFORMATION REGARDING SURVEYING AND ORDERING

1. MUST BE ORDERED USING THE ORDER FORM
 No orders will be accepted for sloping bottom slats unless they are ordered using the SWS UK sloping bottom slat order form. This will ensure you receive the product you require.

2. NO BOTTOM SLAT LOCKS
 Unfortunately it is not possible for us to supply a sloping bottom slat with a bottom slat lock fitted.

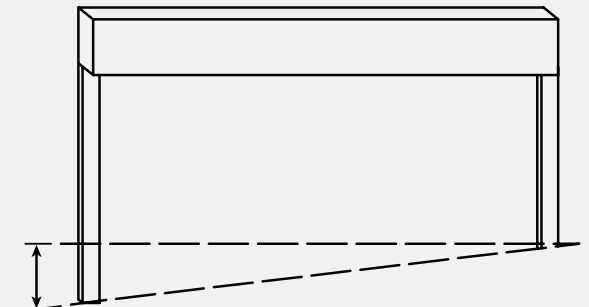
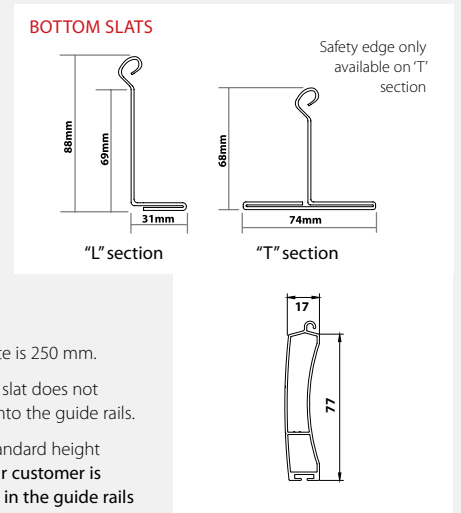
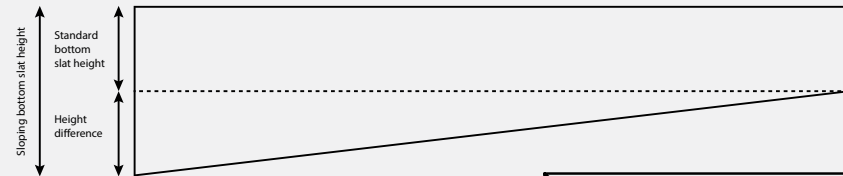
3. MAXIMUM WIDTH
 The maximum width for a sloping bottom slat is 5000 mm, this is the overall door width including guide rails.

4. MAXIMUM HEIGHT DIFFERENCE (h)
 The maximum height difference (h) the sloping bottom slat can accommodate is 250 mm.

When surveying you must ensure that the total height of the sloping bottom slat does not exceed the box end size for the door or you will struggle to load the curtain into the guide rails.

*To obtain the total height of the sloping bottom slat you need to add the standard height of a bottom rail (69 mm) to your height difference. **You must also ensure your customer is aware that when the door is fully open the sloping bottom slat will remain in the guide rails reducing the clear height available.**

*sloping bottom slat height = Height difference (h) + standard bottom slat height





Wicket Door Order Form

Revision number: WD003

ORDER FORM Fax: **(01524) 772411**

Tel: **(01524) 772400**

London Tel: **(020) 8540 1717**

Email: **orders@swsuk.co.uk**

Customer

Order date

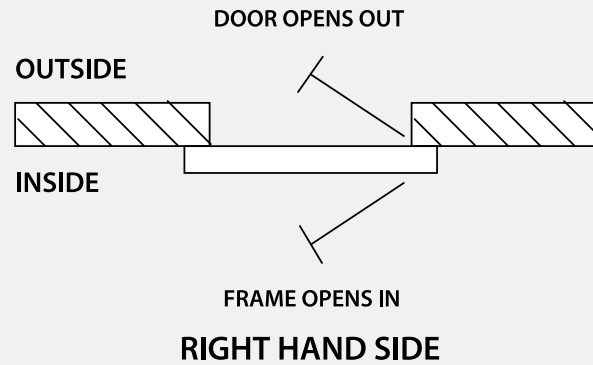
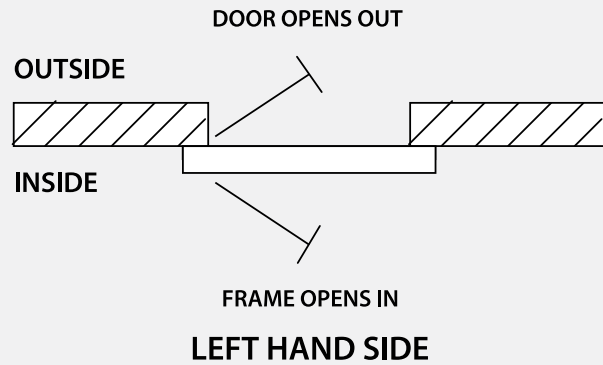
Purchase order no.

Customer/job ref.

THIS ORDER FORM MUST BE RETURNED WITH A SECEURODOOR OR SECEUROSHIELD ORDER FORM WHEN A WICKET DOOR IS REQUIRED.
ONLY AVAILABLE WITH SECEUROSHIELD TRADITIONAL 75, SECEURODOOR 75 AND SECEURODOOR 75C.

PLEASE ENSURE THAT YOU COMPLETE ALL FIELDS ON THIS FORM TO AVOID YOUR ORDER BEING DELAYED.

Internal Door



Please select door type:

Standard

Euro

550 mm (w) x 1650 mm (h)

750 mm (w) x 1875 mm (h)

Internal

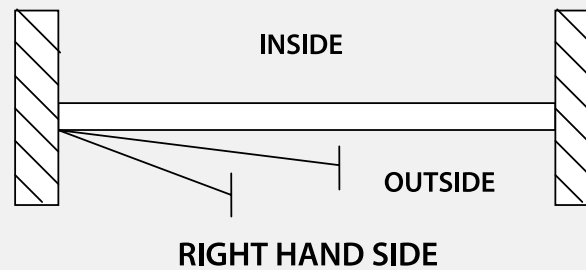
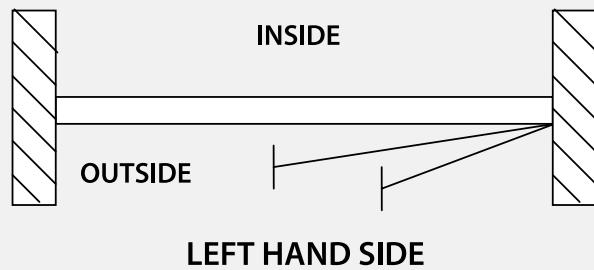
External

Please select side of application:

Left

Right

External Door



Do you require an interlock?

Yes

No

Not available on external doors or reveal fit doors

Notes

Contact Details

How To Order

By fax 01524 772411 (orders only)

Online www.sws.co.uk

By email orders@swsuk.co.uk

By post SWS UK, Hornby Road, Cloughton Lancaster LA2 9LA

Please photocopy the order form provided within this brochure, additional copies available upon request.

Special Requirements

If you cannot find the product that you require in our price list please call our trade sales department and we will endeavour to help you.

Customer Services

01524 772401

01524 772422

01524 772424

Or email customerservice@swsuk.co.uk

This team will be on hand to deal with NCRs, customer services queries and quotations

Technical Support Team

01524 772426 01524 772428 01524 772402

Or email technical@swsuk.co.uk

Out of hours site technical queries 07779 314226

This team will help you with all technical calls

Sales Team

01524 772420

Or email sales@swsuk.co.uk

Other Useful Contacts and Numbers

Marketing Department 01524 772413

Accounts Department 01524 772418

Accounts Department Fax 01524 772412

General Fax 01524 772411

Transport 01524 772415

Office Hours

Over the years we have tried to align our opening hours with the preferences of our customers. Starting early is intended to enable customers to resolve any issues before starting their day's work.

Monday to Thursday 8.15am to 5.00pm

Friday 8.15am to 3.45pm

Out of hours site technical queries 07779 314226

To help improve our levels of customer service and to assist with training, calls may be recorded.

Terms of Business

Payment terms

Initially, new customers are required to purchase goods on a pro-forma basis. If you wish to apply for a credit account, please complete a credit account application form (available on request). Your application will be processed by our accounts department, however submitting a form does not automatically guarantee an account will be opened.

SWS UK reserves the right to withdraw trade credit accounts where:

- Turnover falls below £1,000 per annum. In this event, goods will continue to be supplied on a pro-forma basis.
- An account payment is received more than 10 working days late

All orders should be placed using SWS UK's official order form. This minimises the likelihood of any misunderstandings and accelerates order processing.

Once processed all orders will be emailed back to the address on your account for final checking. If you do not receive an order confirmation within 48 hours or sooner, in the case of urgent orders, please contact the Sales Department.

In the event that a trade customer fails to confirm that their order has interpreted correctly, manufacturing will still go ahead. However, SWS UK accepts no responsibility for manufacturing errors which are apparent from the order confirmation.

Deliveries

Claims for damages will only be processed if reported within 2 days of delivery. Please check the contents of your order on the day received. It may therefore be necessary for you to open packages prior to their despatch to site.

Queries relating to invoices must be notified to the Credit Controller within 7 days of receipt of invoice. This will ensure that we have the time to investigate and resolve your enquiry without it delaying any payments due to ourselves.

Contact

SWS UK Head Office

Hornby Road, Cloughton, Lancaster, Lancashire LA2 9LA

t: 01524 772400 **f:** 01524 772411

e: sales@swsuk.co.uk **w:** www.sws.co.uk

SWS UK London

56 Windsor Avenue, Merton, London SW19 2RR

t: 020 8540 1717 **f:** 01524 772411

e: sales@swsuk.co.uk

