



Business Excellence Awards  
Innovation award winner!

**DuraPass**  
Side-Hinged Personnel Door

Great to come  
home to!





# Spoilt for choice...



DuraPass  
Flush in  
white

DuraPass  
Linear Large  
in white

## Colours

Choose a finish from our Standard, Select or Heritage colour palettes or any RAL or BS colour.



FACTORY FINISHED	Texture	Colour	Colour	Colour	Colour	Colour	Colour	Colour	Colour
Standard	Smooth	WHITE RAL 9016	GOLDEN OAK* (FOIL)	ROSEWOOD (FOIL)					
Heritage	Smooth	BLUE GREY RAL 7031	PIGEON BLUE RAL 5014	LIGHT GREY RAL 7035	CREAM RAL 9001	PASTEL GREEN RAL 6019	REED GREEN RAL 6013		
Select	Smooth	STEEL BLUE RAL 5011	RUBY RED RAL 3003	RACING GREEN RAL 6009	SEPIA BROWN RAL 8014	ANTHRACITE RAL 7016	BLACK RAL 9005		

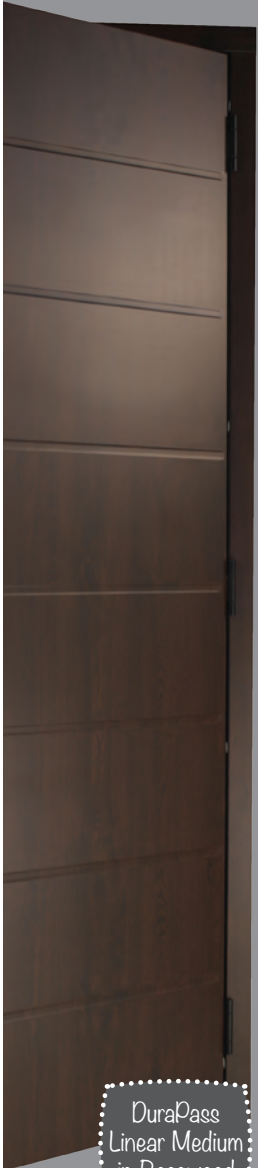
\*Note: Golden Oak is not available on Georgian design doors.

If you don't see the colour you want in our Standard, Select or Heritage ranges, DuraPass doors are also available in any RAL or BS colour





Terms and conditions apply to the warranty on DuraPass doors, please ask for full details.



DuraPass Linear Medium in Rosewood



DuraPass Linear Small in white

# Brilliant!

The DuraPass door a brilliant solution for access to your garage, outhouse or anywhere that needs a good looking, high performance entry door.

Clever design keeps the face of DuraPass doors free from rivets and welds, eliminating corrosion stain from fixings. Just one of the features that makes DuraPass a true innovation! See pages 6 and 7 for more features.

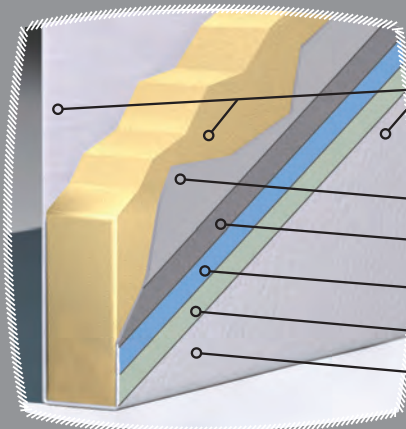


DuraPass single skin door - inside view



DuraPass insulated door - inside view

Insulated Door Panel



- Sandwich Construction with 35mm Polyurethane Insulation
- Cold Rolled Steel Core
- Hot Dip Galvanisation
- Chemical Treatment
- Primer Coat
- Finishing Top Coat

## The Door Panel

Doors are available in single skin steel or insulated versions. The insulated door (picture above left) has a sandwich construction of twin corrosion protected steel skins filled with an insulating core. The rear of the door panel is finished in an off-white light reflecting finish. On insulated Golden Oak and Rosewood doors the inside foil finish will match the exterior.

The single skin door (pictured above right) is constructed from corrosion protected steel. The frame and door stiffening sections match the front face of the door, whilst the rear of the door panel is finished in an off-white light reflecting finish.



# Great to come home



DuraPass Slimline-77 in Rosewood



DuraPass Vertical Board in Golden Oak



## Door Handles

Black handle and hinges, supplied as standard.



## Optional Handles

Add rich style to your door with a choice of three handle upgrades. Your hinges will also be upgraded in a complementary finish.



Silver Satin

Smoked Chrome

White



me to!



Terms and conditions apply to the warranty on DuraPass doors, please ask for full details.

## Good looking

Each door looks great on its own but is also designed to complement with many popular garage door designs. Creating matching styling for your home has never been easier!

### Let the light in!

Add a touch of individual style & elegance with our glazing options. Assembled with Toughened Safety Glass (Glass ABS 6206: 1981), our opaque windows allow light to enter your garage without compromising security. Clear versions are also available.

Windows are positioned centrally in the upper third of the door panel.



### Stainless Steel



Round



Square

Clear or opaque options



DuraPass Vertical Tongue & Groove in White

DuraPass Georgian in Rosewood

Attention to detail

**Clever design** - no rivets or welds to the front face of the door.  
**Matching design** - Door and frame match perfectly, nice handle too!



Factory finished solid colours and wood effect finishes create a classic design statement on any home. See previous pages for the full range.



# Award winning innovation

DuraPass has an award for innovation and it's easy to see why! Clever design and smart features bring great benefits to every-day use and offer excellent durability and life-span. DuraPass is available in inward or outward opening versions.



CE marked for safety and tested to the latest European safety legislation.



Dual latch **ERA** centre locks complete the standard four-point locking on every door.

Fitted with corrosion resistant stainless steel security plate for extra security.



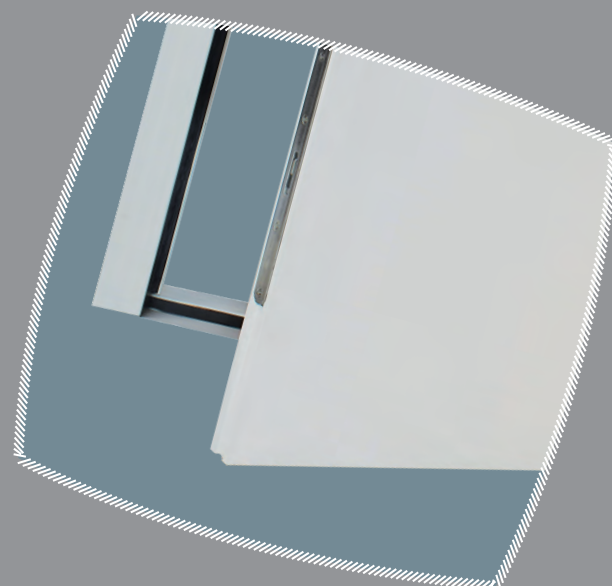
Hardened, galvanized twin hook latches make up the multipoint locking system.



A Kite-Marked **ERA** anti-bump cylinder is available as an option.



Supplied with 3 keys as standard. Replacement keys can be duplicated from a standard blank at any locksmith.



Low-profile threshold makes it easy to move any wheeled item in or out.



# Quality in every detail!



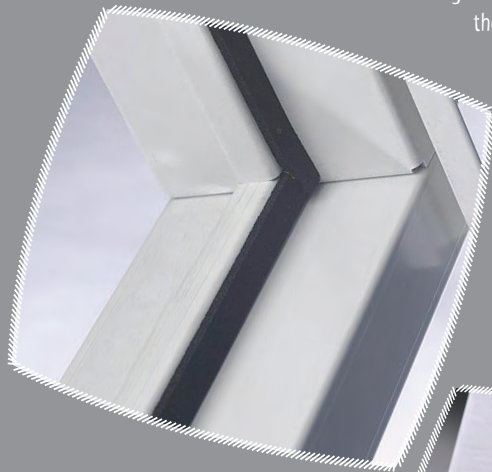
An integral threshold and seal helps to prevent water ingress under the door.



Standard 15mm low-profile threshold (outward opening shown)

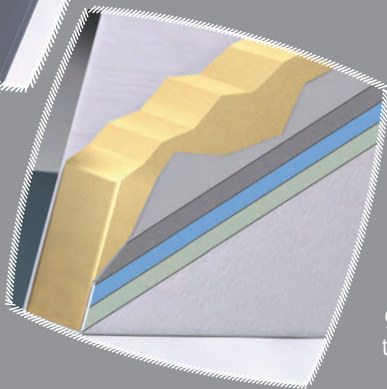


Optional 30mm ramped threshold (inward opening shown)



Neoprene seal runs around the inside of the door frame and also helps to prevent water ingress around the door.

Insulated panel versions provide enhanced weather-beating performance.



Integrated optional rain guard lintel at the top of the door ensures the chance of water ingress is greatly reduced.



Inward opening doors include a rain guard at the bottom to channel rain away from the threshold.



Robust, alloy door lock handles provide extra security.



Doors are pre-framed with corrosion resistant powder coated hinges and spot riveted for extra strength.

Highest quality, corrosion resistant stainless steel rivets are used in the door construction ensuring strength and durability.



How to order

## Sizes & Technical Specifications



Terms and conditions apply to the warranty on DuraPass doors, please ask for full details.



Doors are available in standard and custom sizes

### Standard Overall Frame Widths

890mm  
990mm  
1140mm

Any custom width from  
790mm - 1140mm

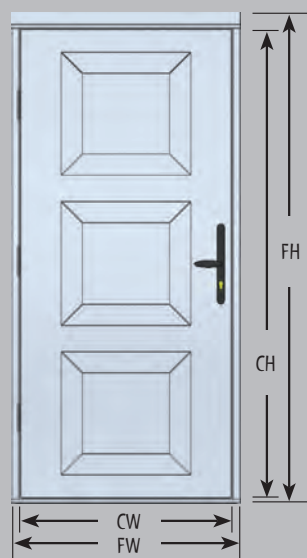
### Standard Overall Frame Heights

1865mm  
2090mm  
2190mm  
2390mm

Any custom height from  
1850mm - 2390mm

Standard Colours: White, Golden Oak\*, Rosewood \*Not available on Georgian style  
Custom Colours: Select range, Heritage range, Any RAL or BS Colour

### Overall Frame Dimensions



FW Frame width

CW Clear passage width = FW - 127mm

FH Frame height

CH Clear passage height = FH - 80mm For standard 15mm low profile threshold

CH Clear passage height = FH - 90mm For optional 30mm ramped threshold

### To order specify:

**Ordering size:** No fitting clearance allowed. Garage Door Systems recommends allowing 10mm in width and height when fitting between brickwork.

**Handing:** Hinged on the left or right as viewed from the outside

**Opening:** Outward or inward as viewed from the outside

**Threshold:** Standard 15mm low-profile threshold or optional 30mm ramped threshold

Standard white and foil doors are supplied with a protective film that must be removed within thirty days.

**Example:**

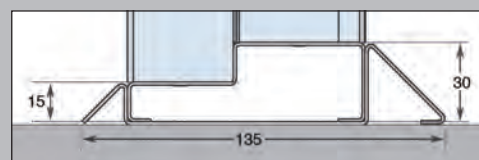
For a 1000mm x 2100mm structural opening, order your door as 990mm x 2090mm.

Please see Garage Door Systems Survey/Order form for full details, diagrams and additional fitting options.

### Thresholds



Standard 15mm low profile threshold



Optional 30mm threshold with ramped adjustable baseplate

**Fitting note:** To minimise the ingress of rain run-off between the foot of the door leaf and the door threshold, consideration must be given the floor surface to which the door is fitted, ensuring that water is able to drain freely away. This particularly important on inward opening doors.



NI: Tel: 028 2565 5555 Fax: 028 2564 4030  
UK: Tel: 0870 242 3 242 Fax: 0800 085 2741  
RoI: Tel: 1850 510 510 Fax: 028 2564 4030  
Email: info@gdsdoors.eu Web: www.gdsdoors.eu

Authorised Specialist