



**PRICE LIST
EN 2016.1
POUNDS (£)**

VALID FROM 01.04.2016

A thick, light grey diagonal line runs across the bottom right portion of the page, starting from the right edge and sloping upwards to the left.

PATENTED GARAGE DOORS

STANDARD FEATURES

Frame made by 2mm thick metal sheets of galvanized steel, lacquered white RAL 9016 alike/ RAL 7016.

Lateral double counterweight system.

Leaf made by sandwich panels 40 mm thick in double sheet of galvanized steel with polyurethane foam, horizontally oriented and mechanically joined.

Internal side panel finish: embossed stucco white RAL 9010 alike.

External side panel finish: woodgrain, slightgrain or smooth (lacquered RAL colours alike), woodstyle (PVC laminated), woodstyle plus (pre-painted), plana (thermosetting resin).

Bottom seal in EPDM rubber, water and wind proof.

Anti-entrapment perimeter seal in EPDM rubber, water and wind proof.

Motor OverMotion hidden inside the headbar. Receivers and remote controls are not included (optionals). In case there is not a secondary access to the garage, it is compulsory to order a double handle.

TECHNICAL SPECIFICATIONS

Sectional garage door with door opening in 2 overlapping sections.

Thermal transmittance of the leaf $U=0,578 \text{ W/m}^2\text{K}$

Thermal transmittance of the door $U=1,5 \text{ W/m}^2\text{K}$ (value obtained for a door without windows and grids with behind wall installation).

Excellent performance in terms of acoustics insulation and air/water/wind resistance.

Panels in galvanized steel in accordance with UNI EN 10326, UNI EN 10327 and UNI EN 10143, and rigid polyurethane foam density 40kg/m³, dimensional stability max. 1% between -25°C and +70°C in accordance with UNI EN 8069, working temperature between -90°C and +80°C, cellular structure in non-hygroscopic material with 95% closed cells and an absorption value of the water of less than 3% in volume.

MANUAL VERSION (optional)

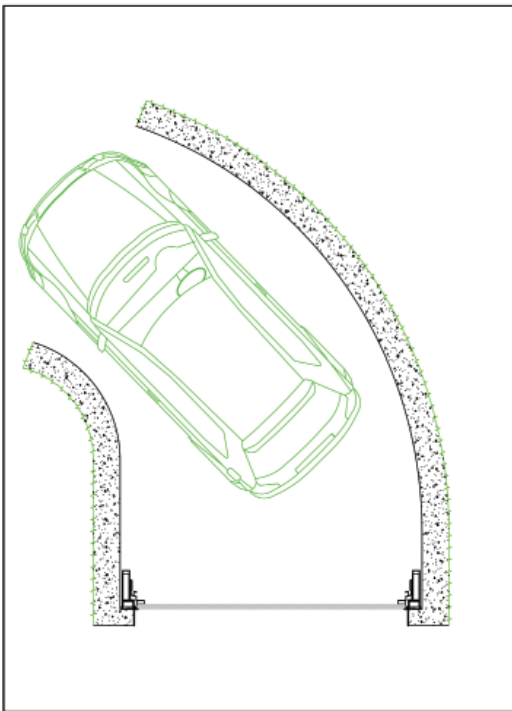
Double external handle Platinbronze, completely integrated into the door leaf.

Upper handle including lock with European drill-resistant cylinder and no.3 keys.

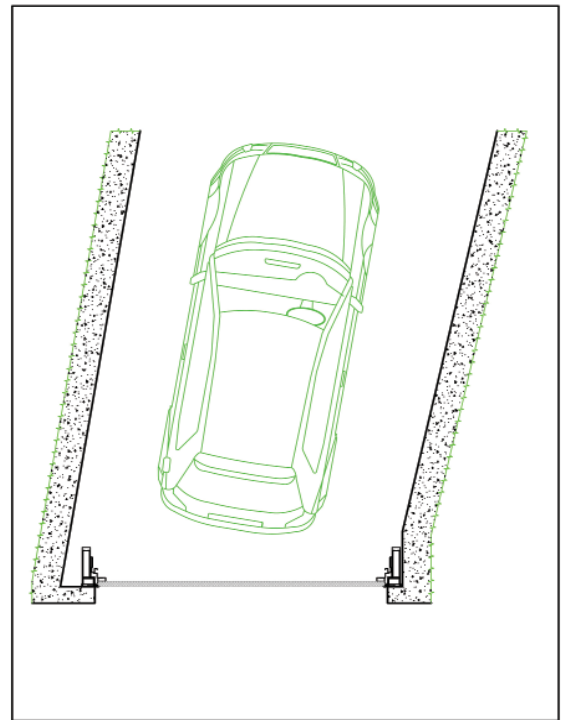


TECHNICAL DISTINCTIVE SOLUTIONS - DELTA OVERLAP

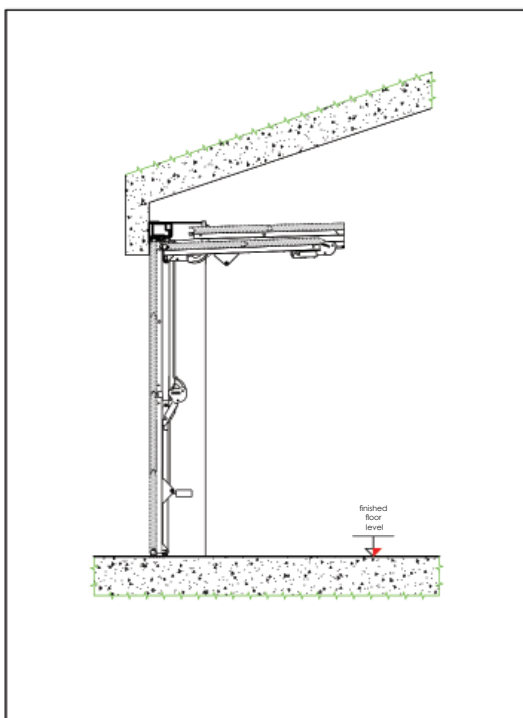
Curved side walls



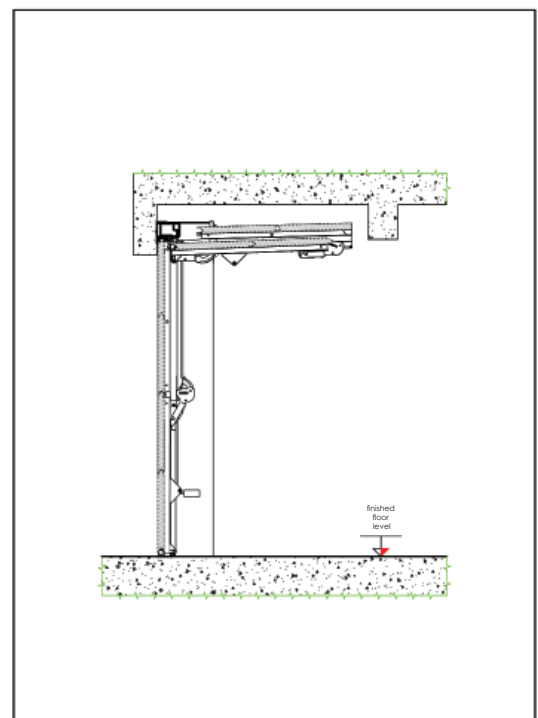
Oblique side walls



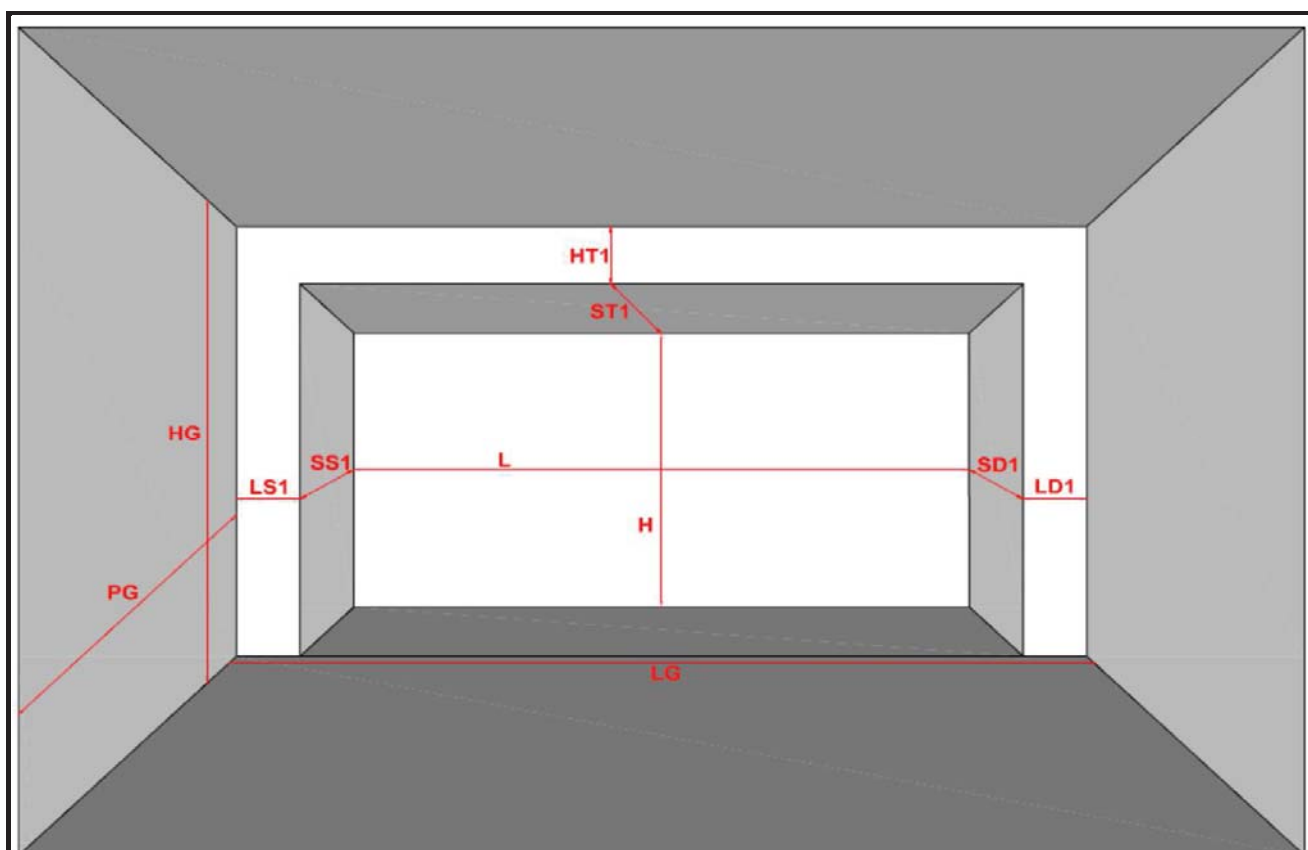
Slanted ceiling



Ceiling lowered by beams



Site Survey Form	DEALER	CUSTOMER
Date:		
Reference:		



L = mm H = mm

LG = <input type="text"/> mm	LS1 = <input type="text"/> mm	SS1 = <input type="text"/> mm
HG = <input type="text"/> mm	LD1 = <input type="text"/> mm	SD1 = <input type="text"/> mm
PG = <input type="text"/> mm	HT1 = <input type="text"/> mm	ST1 = <input type="text"/> mm

Garage with other entrance: yes no

Type of installation: behind walls between walls

Quotation form	DEALER	CUSTOMER
Date:		
Reference:		

<ul style="list-style-type: none"> - Frame made by 2 mm thick metal sheet, RAL 9016 alike. - Leaf made by sandwich panels in double sheet with polyurethane foam, 40 mm thickness, horizontal oriented and mechanically joined. - Internal panel side finished in embossed stucco RAL 9010 alike. - External panel finished in woodgrain, slightgrain, smooth or woodstyle varnished or PVC plasticized. - Bottom and perimeter sealing in EPDM rubber antientrapment, water and wind proof. - Counterweight system. 	<ul style="list-style-type: none"> -Sectional garage door with door opening in 2 overlapping sections. - Thermal transmittance U=1,5 W/m²K (value obtained for a door without windows and grids with behind wall installation). - Excellent performance in terms of acoustics insulation and water/wind proofing. - OverMotion operator completely integrated in the head-bar, standard equipment (double handles option is to be applied in the case of a garage with no other access). Receiver and remote control are available as accessories option upon request.
--	--

OVERLAP GARAGE DOORS									
door Ref.	W x H	Sector	Model	Surface	Colour	Installation Type	Net Unit Price	Q.ty	Total
1									
2									
3									
4									

ACCESSORIES					
door ref.	Cod.	Descriptions	Net Unit Price	Q.ty	Total

NOTES:

Transport type	Delivery week no.	Door+Accessories	
Unloading excluded (standard)		Transport	
Unloading including (surcharge)		Packaging	
		Net total (excl. VAT)	

SIZE TABLE

HEIGHT	2980																											
2780	2980																											
2730	2930																											
2680	2880																											
2630	2830	SECTOR B																										
2580	2780																											
2530	2730																											
2480	2680																											
2430	2630																											
2380	2580																											
2330	2530																											
2280	2480																											
2230	2430	SECTOR A																										
2180	2380																											
2130	2330																											
2080	2280																											
2030	2230																											
1980	2180																											
1930	2130																											
	2020	2070	2120	2170	2220	2270	2320	2370	2420	2470	2520	2570	2620	2670	2720	2770	2820	2870	2920	2970	3020	3070	3120	3170	3220	3270		
	1750	1800	1850	1900	1950	2000	2050	2100	2150	2200	2250	2300	2350	2400	2450	2500	2550	2600	2650	2700	2750	2800	2850	2900	2950	3000		
	WIDTH																											

OUTER FRAME SIZE (ordering size)
NET DOOR OPENING SIZE

Measures in mm

HEIGHT	2980																																								
2780	2980																																								
2730	2930																																								
2680	2880																																								
2630	2830	SECTOR D										SECTOR F										SECTOR H																			
2580	2780																																								
2530	2730																																								
2480	2680																																								
2430	2630																																								
2380	2580																																								
2330	2530																																								
2280	2480																																								
2230	2430																																								
2180	2380	SECTOR C										SECTOR E										SECTOR G										SECTOR I									
2130	2330																																								
2080	2280																																								
2030	2230																																								
1980	2180																																								
1930	2130																																								
	3320	3370	3420	3470	3520	3570	3620	3670	3720	3770	3820	3870	3920	3970	4020	4070	4120	4170	4220	4270	4320	4370	4420	4470	4520	4570	4620	4670	4720	4770	4820	4870	4920	4970	5020	5070	5120	5170	5220	5270	
	3050	3100	3150	3200	3250	3300	3350	3400	3450	3500	3550	3600	3650	3700	3750	3800	3850	3900	3950	4000	4050	4100	4150	4200	4250	4300	4350	4400	4450	4500	4550	4600	4650	4700	4750	4800	4850	4900	4950	5000	
	WIDTH																																								

* any part of the frame (e.g. head-bar only) which shall be installed between walls requires a tubular metal post like cod.ACCC04(see the section "Tubular metals posts")

NOT STANDARD SIZES

Cod.	Descrizione	Pounds
ACCY01	Additional cost for outer frame sizes greater than sector I	quote
ACCY02	Additional cost for any non-standard outer frame width between 2020 and 5670 mm (with 10mm intervals)	£ 183
ACCY03	Additional cost for outer frame height 1980-2030-2080 mm	£ 183
ACCY04	Additional cost for any non-standard outer frame height between 2080 and 2980 mm (with 10mm intervals)	£ 183

PRICE LIST IN BRITISH POUNDS (£)

The prices do include: the OverMotion operator 45 W connectable to the home automation system and to any receiver, the external panel powder coated 30% gloss in any standard RAL colour: 3003, 5003, 6005, 6009, 7016, 7035, 7040, 8016, 8019, 9002, 9006 and 9016(Woodgrain, Slightgrain, Smooth) or PVC laminated in any standard wood-alike colour light, medium and medium-dark (Woodstyle) or prepainted in light and medium color (Woodstyle Plus).

Internal side panel finish: embossed stucco white RAL9010 alike. Woodstyle Plus surface, internal side as external.

The prices don't include: receiver, remote control(s), other accessories, packaging, transport and VAT.

Model	Surface	Sector A	Sector B	Sector C	Sector D-E	Sector F-G	Sector H-I
AIR WIDE SOUND	Woodgrain	£ 2333	£ 2583	£ 2667	£ 2833	£ 3000	£ 3167
	Slightgrain *	£ 2400	£ 2658	£ 2742	£ 2925	£ 3100	£ 3292
	Woodstyle (pellicolato)	£ 2500	£ 2767	£ 2854	£ 3063	£ 3250	£ 3479
	Woodstyle Plus**	£ 2642	£ 2933	£ 3017	£ 3250	£ 3458	£ 3708
WAVE	Smooth	£ 2450	£ 2700	£ 2783	£ 2950	£ 3117	£ 3283
BOX	Slightgrain	£ 2483	£ 2742	£ 2825	£ 3008	£ 3183	£ 3375
	Woodstyle	£ 2583	£ 2854	£ 2938	£ 3146	£ 3333	£ 3563

* only the model AIR Slightgrain RAL 9006 is not available, and it is replaced with AIR Smooth RAL 9006

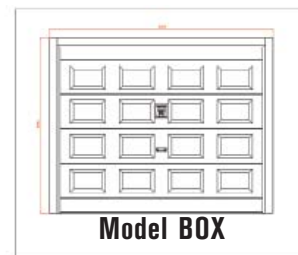
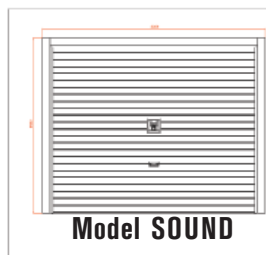
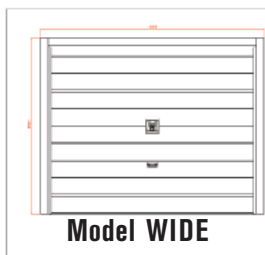
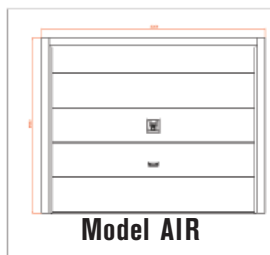
** With Woodstyle Plus the internal side of the panel is realized as Sound Model in the same color of the external side.

POWDER COATING

External panel	Sector A	Sector B-C	Sector D-E	Sector F-G	Sector H-I
NOT STANDARD RAL COLORS	£ 133	£ 150	£ 183	£ 200	£ 250
SAMPLE COLORS	£ 267	£ 300	£ 367	£ 400	£ 500
CORTEN FINISH	£ 1408	£ 1624	£ 1874	£ 2116	£ 2374

Internal panel	Sector A	Sector B-C	Sector D-E	Sector F-G	Sector H-I
ANY RAL COLOR	£ 267	£ 300	£ 367	£ 400	£ 500

Example models photos (handles are accessories):



PRICE LIST IN POUNDS (£) - OVERLAP PLANA RANGE

The prices do include: the OverMotion operator 45 W. External panel coated with one of the standard colors:

Surface Color: 819 - 414 - 1886 - 1885 - 450 - 713 - 871 - 879

Surface Wood: 748 - 759

Surface Stone: 545

Surface Full Glass: glass with transparent finish.

Inside finish panel: stucco RAL 9010. For surface Full Glass, glass.

The prices don't include: receiver, remote control(s), other accessories, packaging, transport and VAT.

Model	Surface	Sector A	Sector B H max 2680	Sector C	Sector D H max 2680	Sector E	Sector F H max 2680
OVERLAP PLANA	COLOUR	£ 3.767	£ 3.933	£ 4.267	£ 4.600	£ 4.683	£ 4.580
	WOOD	£ 3.767	£ 3.933	£ 4.267	£ 4.600	£ 4.683	£ 4.580
	STONE	£ 4.433	£ 4.517	£ 4.767	£ 5.017	£ 5.100	£ 5.350
	FULL GLASS	£ 4767	ND	ND	ND	ND	ND

NOT STANDARD:

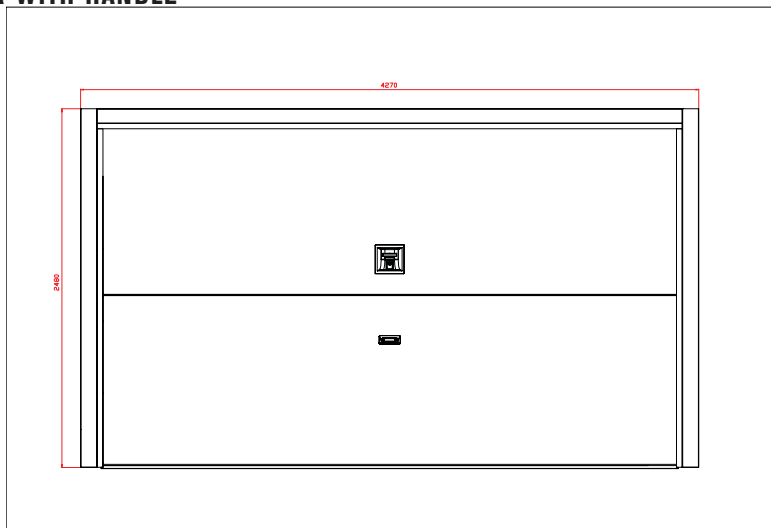
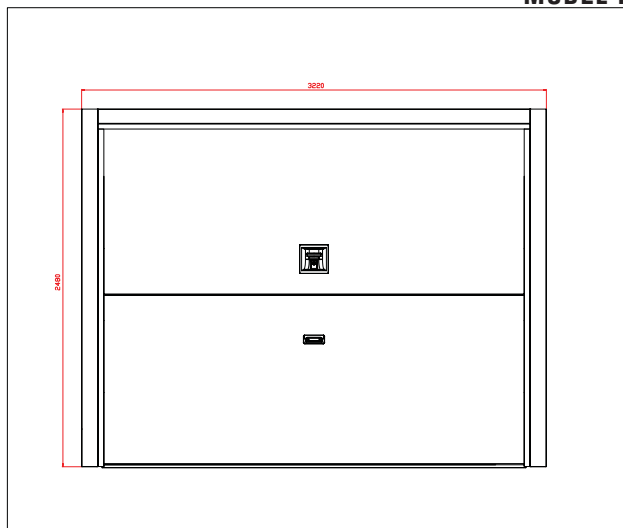
External panel	Surface	Sectors A-B-C-D-E-F
NOT STANDARD COLORS	WOOD 634-770-778-780 COLOR 416-1810-421	£ 417

Internal panel	Sector A	Sector B-C	Sector D-E	Sector F
AS EXTERNAL SIDE	£ 700	£ 808	£ 933	£ 1058

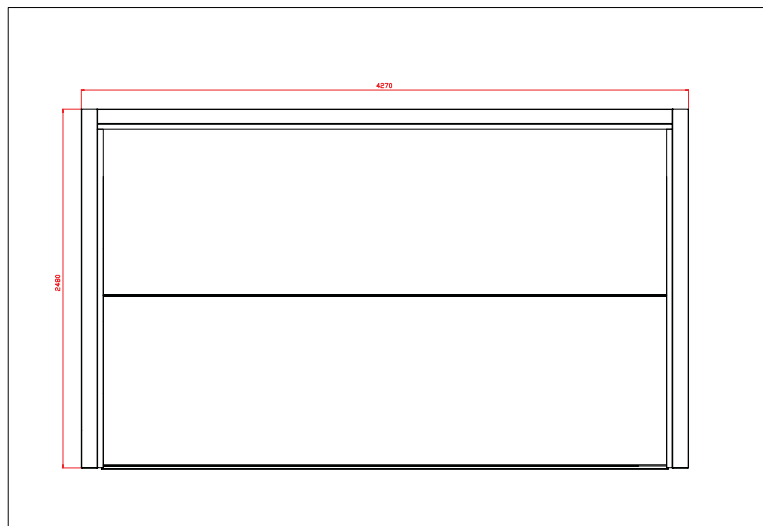
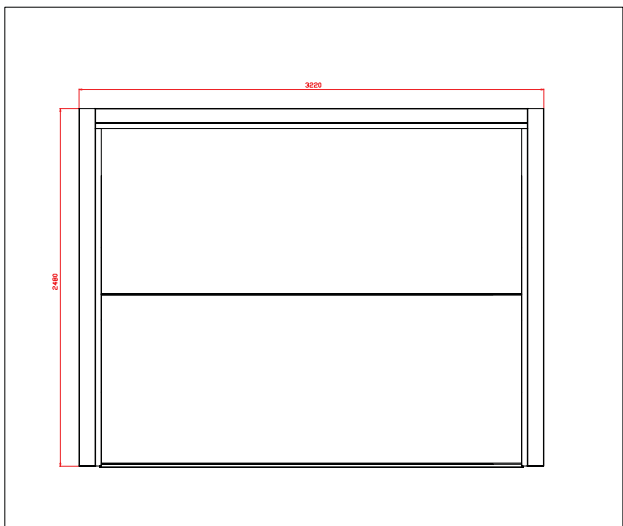
FULL GLASS (Glass)	Sector A
SATINED WHITE	£ 250
PERSONALIZED	quote

Example models photos:

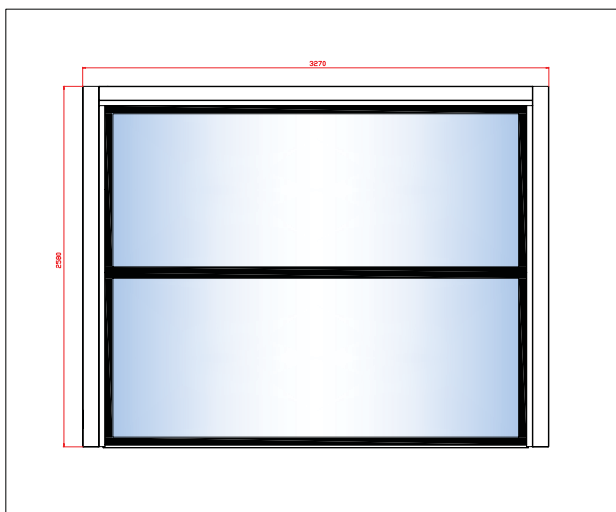
MODEL PLANA WITH HANDLE



MODEL PLANA WITHOUT HANDLE

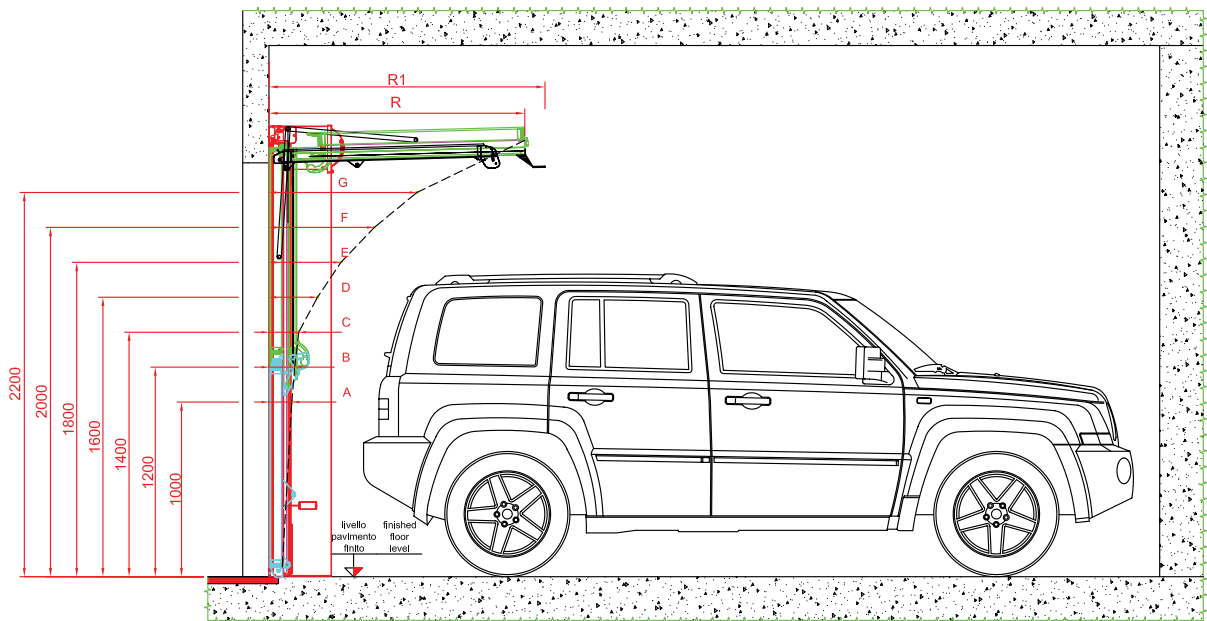


MODEL PLANA FULL GLASS



DOOR CLEARANCE

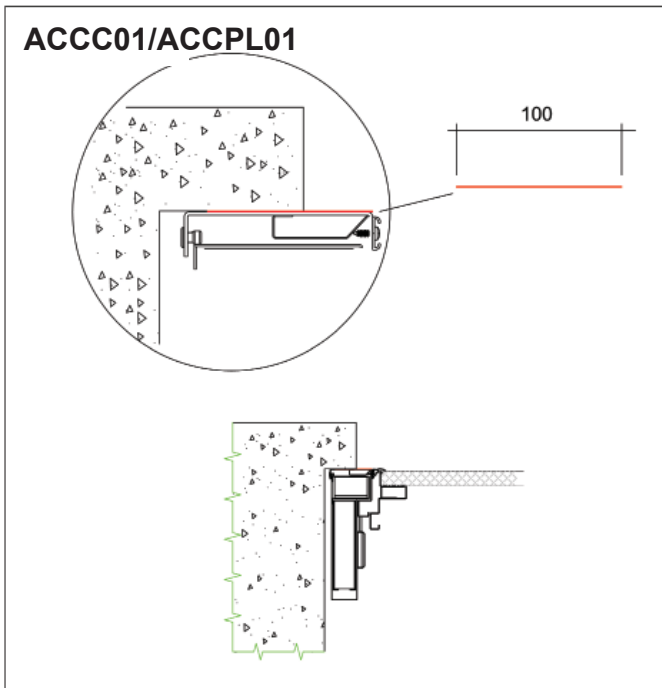
measures in mm



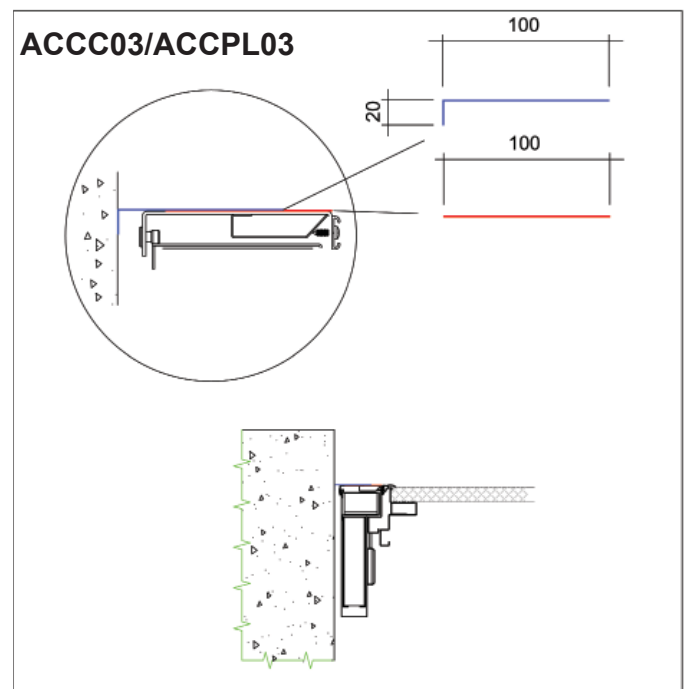
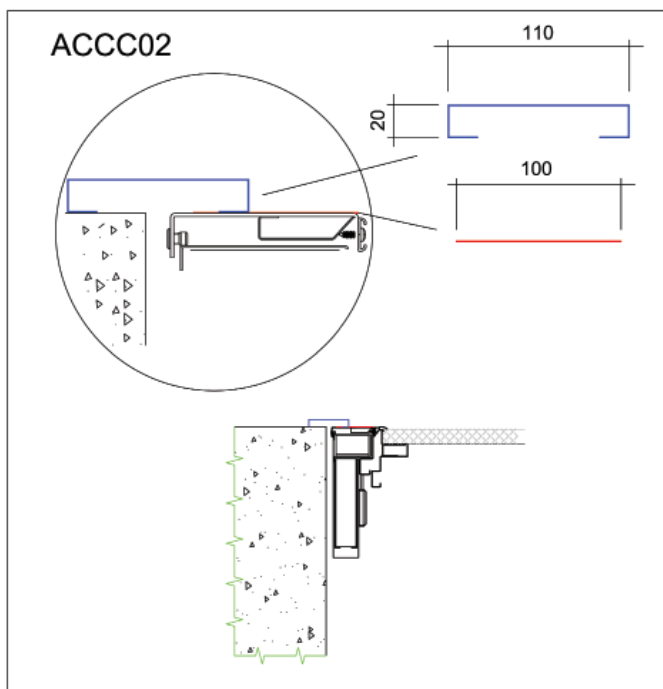
Over all frame	Door opening	A	B	C	D	E	F	G	R	R1
		1000	1200	1400	1600	1800	2000	2200		
2130	1930	149	194	319	487	725	/	/	1270	1350
2180	1980	147	186	300	460	685	/	/	1320	1400
2230	2030	145	177	281	432	646	/	/	1370	1450
2280	2080	142	169	263	405	606	/	/	1395	1500
2330	2130	140	160	261	377	566	776	/	1420	1550
2380	2180	138	158	242	357	536	741	/	1470	1600
2430	2230	137	155	227	338	505	706	/	1520	1650
2480	2280	135	153	198	318	475	670	/	1570	1700
2530	2330	133	150	183	298	444	635	896	1620	1750
2580	2380	131	148	170	278	412	603	847	1670	1575
2630	2430	130	147	168	272	405	590	820	1495	1625
2680	2480	129	146	166	267	399	577	793	1545	1675
2730	2530	128	144	165	262	394	564	766	1595	1725
2780	2580	127	143	163	257	388	551	739	1695	1775
2830	2630	127	142	162	253	383	539	726	1745	1825
2880	2680	126	141	160	249	377	527	714	1795	1875
2930	2730	126	140	159	245	372	514	701	1845	1925
2980	2780	125	139	157	241	366	502	688	1895	1975

Frame coverings

Cod.	Descriptions	Pound
ACCC01	Frame covering "C-shaped" 110 x 10 x 3000 mm, same colour as per the external door panel, including cod. ACCC01	40,00
ACCPL01	Frame covering "C-shaped" 110 x 10 x 3000 mm, same colour as per the external door panel, including cod. ACCC01 - PLANA Model	54,00



Cod.	Descrizione	Pound
ACCC02	Frame covering "L-shaped" 110 x 20 x 3000 mm, same colour as per the external door panel, including cod. ACCC01	54,00
ACCC03	Frame covering "L-shaped" 110 x 20 x 3000 mm, same colour as per the external door panel, including cod. ACCC01	54,00
ACCPL03	Frame covering "L-shaped" 100 x 20 x 3000 mm, same colour as per the external door panel (including cod. ACCC01) - PLANA Model	75,00



Motorisation

Cod.	Descriptions	Pounds
ACCA01	Arrangement for connection to the alarm system with magnetic contacts for motorised doors	58,00
ACCA02	Internal 2-channel receiver 433.92 MHz, self-learning (already mounted and programmed)	48,00
ACCA03	External 4-channel receiver 433.92 MHz, self-learning, including 4 mt cable and a weather resistant box	79,00
ACCA12	External antenna 433.92 MHz to be combined with ACCA02 or ACCA03 in order to boost the signal, including 4 mt cable	42,00
ACCA04	2-channel remote control to be combined with ACCA02 or ACCA03	40,00
ACCA05	4-channel remote control to be combined with ACCA02 or ACCA03	48,00
ACCA06	External yellow flashing light	42,00
ACCA07	Photocells mounted on the counterweight covers	100,00
ACCA10	Wiring for photocells only (recommended when photocells not provided by the Manufacturer should be mounted)	42,00
ACCA09	External 2-channel anti-vandal keypad in stainless steel and radio connection	292,00
ACCA15	External 2-channel anti-vandal keypad in stainless steel and cable connection	292,00
ACCA14	"GSM" Module for door opening and closing by remote	208,00

Tubular metal posts

Cod.	Description	Pounds
ACCC04	Tubular zinc-coated metal post, required for doors in sector E - F - G - H - I installed BETWEEN WALLS, size 120 x 50 mm (price per linear meter).	25,00
ACCC06	Tubular covering "L-shaped" in galvanized steel for tubular metal posts, same colour as per the external panel, it includes cod. ACCC01, size 120 x 50 x 3000 mm (price per unit)	67,00
ACCPL06	Tubular covering "L-shaped" in galvanized steel for tubular metal posts, same colour as per the external panel, it includes cod. ACCC01, size 120 x 50 x 3000 mm (price per unit)- Mod. PLANA	75,00

Handles and Keys

Cod.	Description	Pounds
ACCM01	Double handle in Platinbronze finish for motorised door (mandatory when the garage does not have a secondary access); it includes a lock with cylinder certified European drill resistant and 3 keys	117,00
ACCM02	Additional cost for the double handle ACCM01 powder coating in any RAL colour	58,00
ACCM03	Additional cost for the double handle ACCM01 in Platinsilver finish	58,00

Windows

Cod.	Description	Pounds
ACCF01	Fixed TRANSPARENT window with double polycarbonate sheet 3 mm thick, external size W 496 x H 330, glazing size W 416 x H 265 mm, with smooth plastic frame alike RAL 9016 (unit price)	67,00
ACCF07	Same as ACCF01 but with GRANITE glass window (unit price)	75,00
ACCF02	Additional cost for the external frame of ACCF01 powder coated in of 12 STANDARD RAL color (unit price)	25,00
ACCF03	Additional cost for the external frame of ACCF01 powder coated in any RAL colour (unit price)	25,00
ACCF04	Glasspanel (glazed panel) with aluminum frame, double galzed 20mm, with 2 polycarbonate sheets 4mm thick (linear meter)	216,00
ACCF05	Additional cost for the external frame of ACCF04 powder coated in of 12 STANDARD RAL color (linear meter)	25,00
ACCF06	Additional cost for the external frame of ACCF04 powder coated in any RAL colour (linear meter)	33,00
ACCF20	Fixed TRANSPARENT window aluminum frame and double transparent glass 6/7, external size W500xH350, glazing size W400xH250	183,00

Ventilation

Cod.	Description	Pounds
ACCV01	Rectangular ventilation grill * made of white plastic alike RAL 9016, size W 334 x H 138 mm, closable. The air flow rate is 155/cm ² (unite price)	33,00
ACCV04	Rectangular ventilation grill * made of aluminium, size W 400 x H 200 mm. The air flow rate is 545/cm ² (unite price)	58,00
ACCV02	Additional cost for the external frame of ACCV01 or ACCV04 powder coated in of 12 STANDARD RAL color (unit price)	25,00
ACCV03	Additional cost for the external frame of ACCV01 or ACCV04 powder coated in any RAL colour (unit price)	29,00
ACCC15	Grilled surface with aluminum frame (500mm sections) and perforated sheet with circular holes having a diameter of 10 mm (price per squared meter)	250,00
ACCC53	Grilled surface with aluminum frame (500mm sections) and perforated sheet with square holes 40x40 (price per squared meter)	250,00

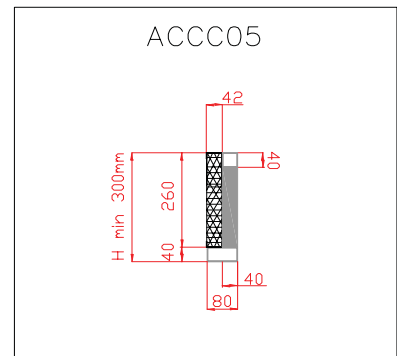
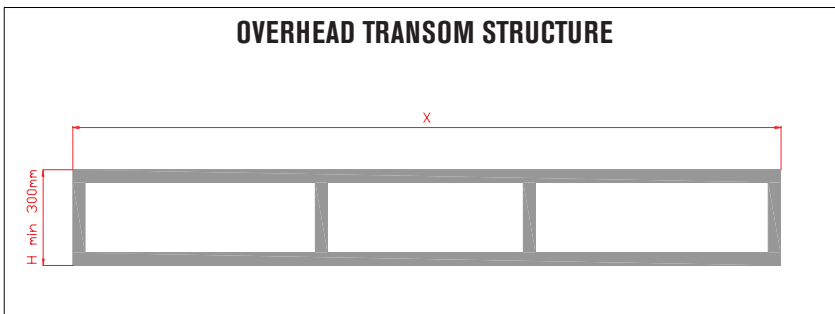
* Ventilation grills are not available on the center of the upper panel when the door has got the handle

Painting Grilled Surface

External/ Internal	Sector A	Sector B-C	Sector D-E	Sector F-G	Sector H-I
SAMPLE COLORS	£ 267,00	£ 300,00	£ 367,00	£ 400,00	£ 500,00

Overhead transom

Cod.	Description	Pounds
ACCC05	Overhead transom mod. AIR - LINE - SOUND - WAVE - WIDE flush to the panel and in the same finish than the panel, it does not include window, H min. 300 mm, max. 3 m ² area (price per linear meter). If a window ACCF01 or ACCF07 is required, then H min. 400 mm	283,00
ACCC07	Overhead transom mod. BOX flush to the panel and in the same finish than the panel, it does not include window, H min. 300 mm high, max. 3 m ² area (price per linear meter). If a window ACCF01 or ACCF07 is required, then H min. 400 mm	308,00
ACCC09	Overhead transom in metallic perforated sheet with circular holes having a diameter of 10 mm in the same finish than the panel. H max 500mm. (price per linear meter)	333,00
ACCC54	Overhead transom in metallic perforated sheet with square 40x40 in the same finish than the panel. H max 500mm. (price per linear meter)	333,00
ACCC49	Overhead transom Full Glass with aluminum frame and glass of security 6/7. (price per linear meter)	250,00



Accessories for retailers (net price)

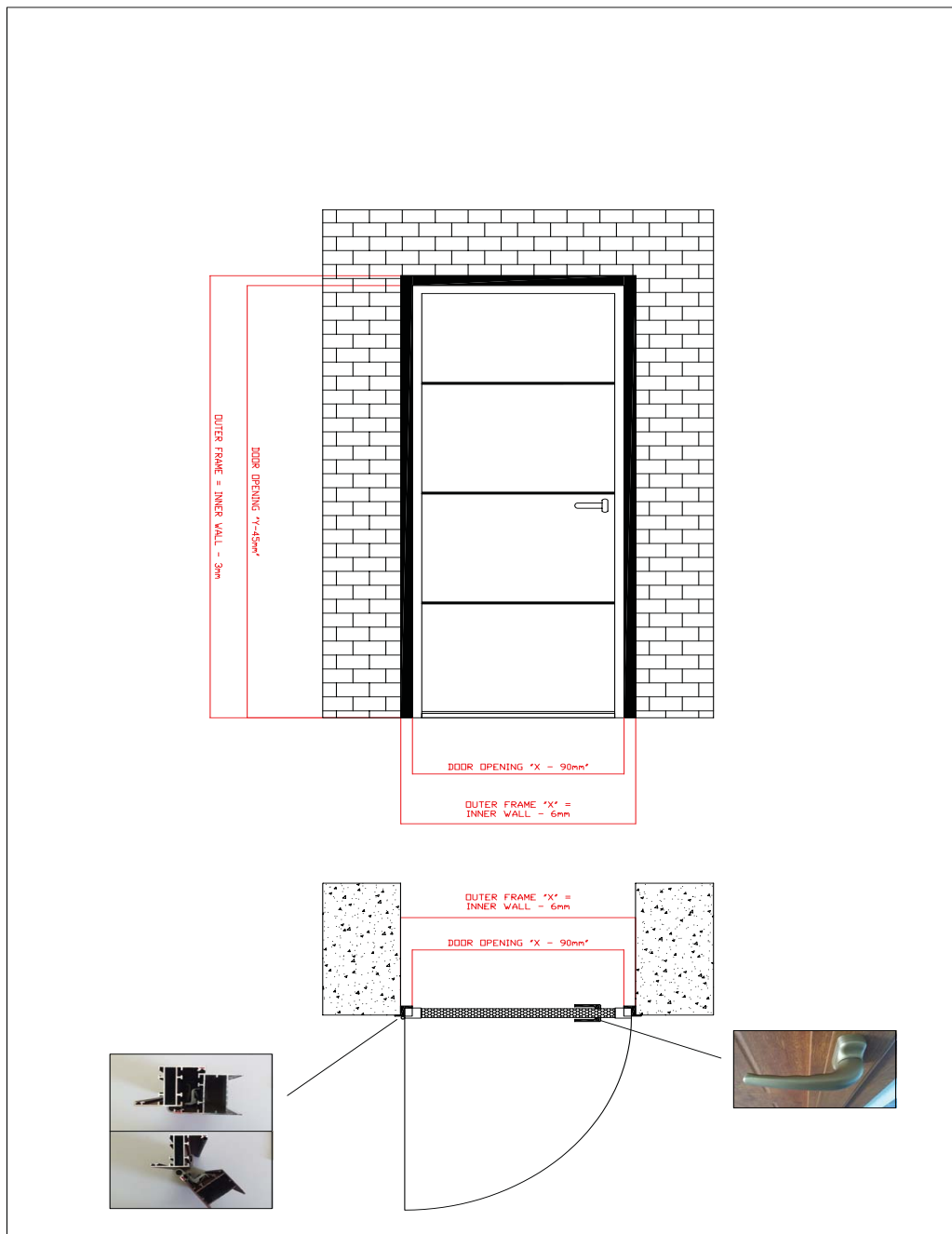
Cod.	Description	Pounds
ACCC11	Metallic self-standing display for sample doors, including adjustable feet in RAL 9016	583,00
ACCC55	Metallic self-standing display for sample doors, including adjustable feet in RAL 7016	583,00
R3400482	Bluetooth USB dongle to connect to the OverMotion operator via the app OverMotion (available for free for any Android or iOS device)	83,00

Pedestrian Door

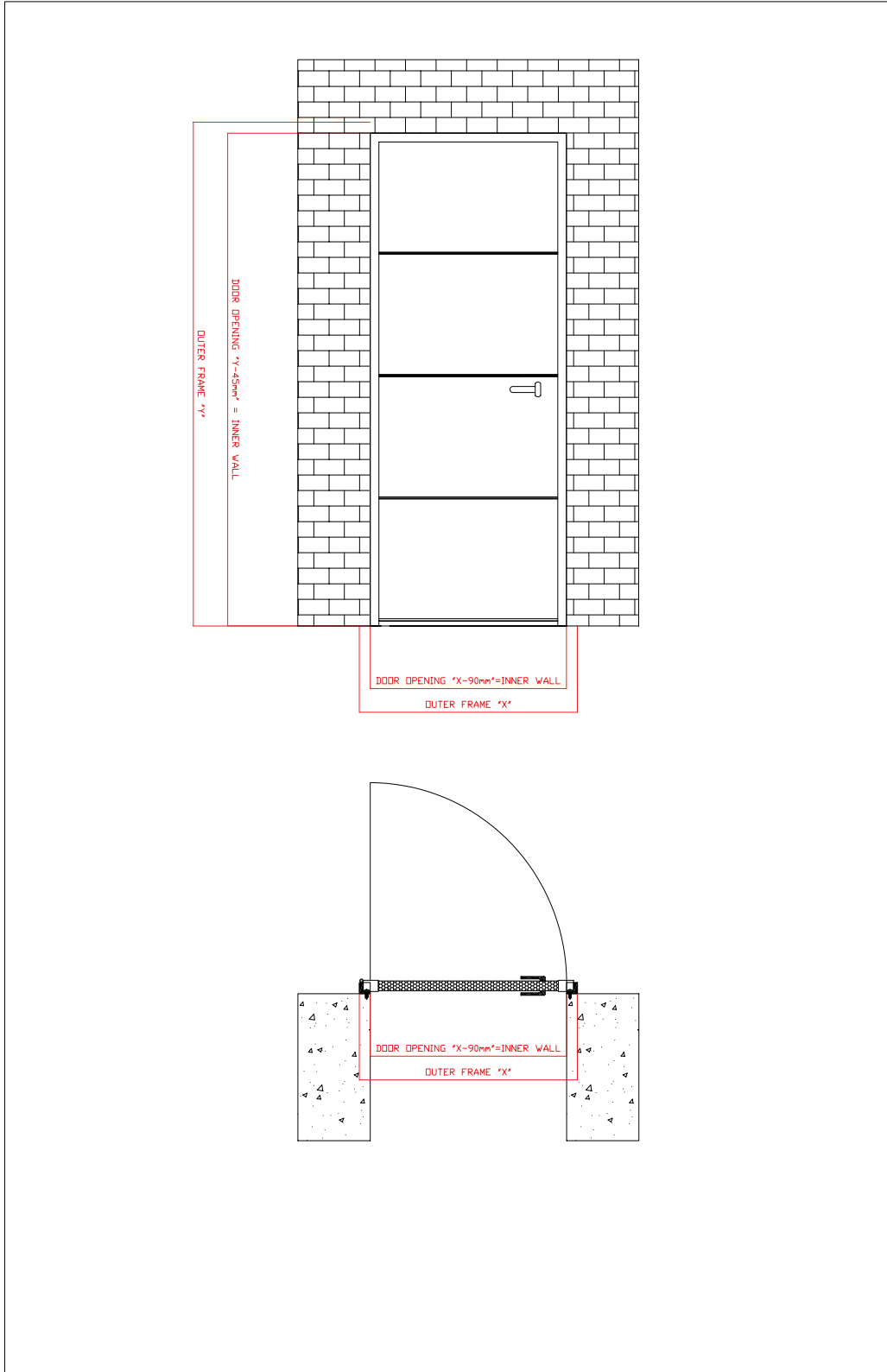
Pedestrian door made by aluminium frame and sandwich panels in the same model/surface/color of Overlap Door. The opening can be realized with push or pull opening.
 Feasibles dimensions: Width from 900mm to 1300mm, Height from 1900mm to 2500mm.

Cod.	Description	Pound
ACCP01	Pedestrian door with sectional panels 500 mm high, aluminium frame 45 mm thick, cylinder lock and handle	958,00
ACCP02	Pedestrian door with perforated sheet (with circular or square holes) and aluminium frame	1.292,00
ACCP03	Pedestrian door with Plana coating and aluminium frame toward inside or outside.	1.292,00

Between Wall Installation Pedestrian Door



Behind Wall Installation Pedestrian Door



SUPPLY CONDITIONS

Delivery time

STANDARD RAL COLOR - NOT STANDARD RAL COLOR - WOODSTYLE (pvc) - WOODSTYLE PLUS	6 week
SAMPLE COLOR - STANDARD PLANA RANGE - FULLGLASS - GRILLED	8 week
NOT STANDARD PLANA RANGE	10 week

Delivery terms are for indicative production time from arrival of the order. The deadline for final delivery will be indicated in the order confirmation.

Packaging (mandatory, net price)

	Door Sector A - B	Door Sector C - D - E - F	Door Sector G - H - I
Cardboard packaging, not assembled door	£ 29,00	£ 37,00	£ 46,00
Fumigated wooden cage with phytosanitary treatment ISPM-15 (for doors sector A - B)	£ 208,00		
Fumigated wooden cage with phytosanitary treatment ISPM-15 (for doors sector C - D - E - F)	£ 292,00		
Fumigated wooden cage with phytosanitary treatment ISPM-15 (for doors sector G - H - I)	£ 375,00		

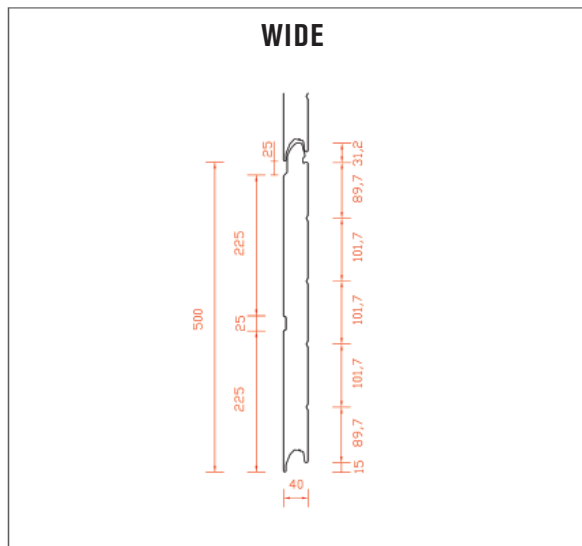
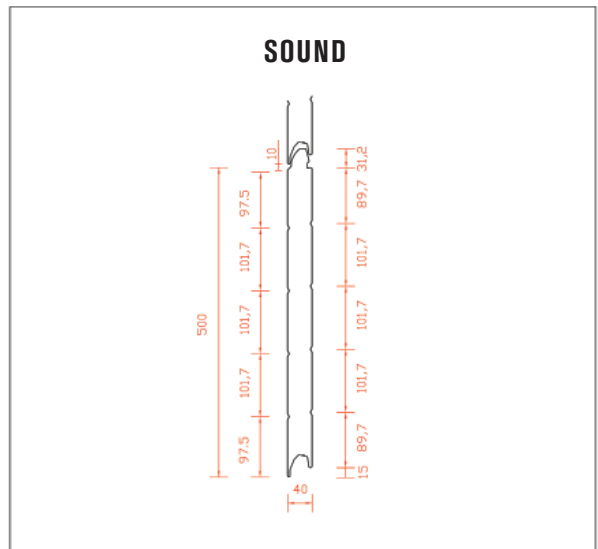
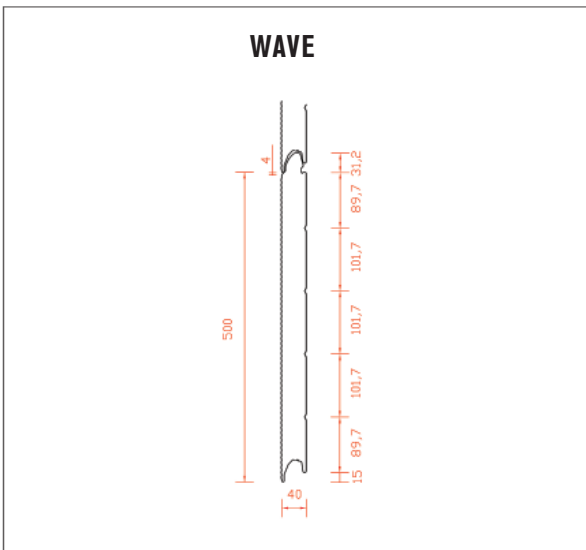
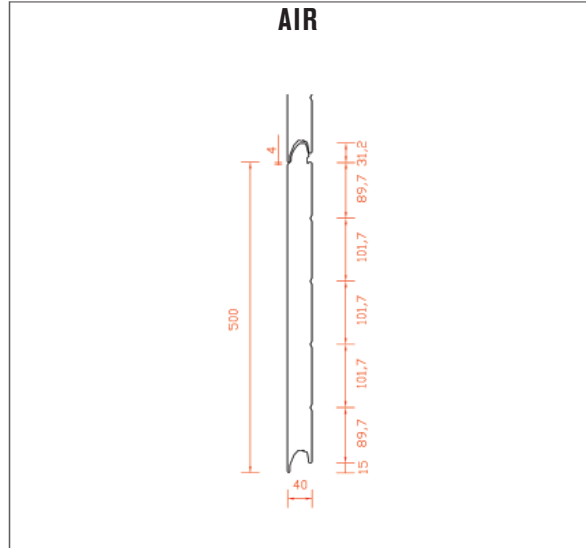


Delivery to EU-28 mainland and Switzerland, unloading excluded (net price per door)

Door quantity	Door Sector A - B	Door Sector C - D	Door Sector E - F	Door Sector G - H - I
1 - 3 doors	£ 333,00	£ 375,00	£ 417,00	£ 458,00
4 - 6 doors	£ 250,00	£ 292,00	£ 333,00	£ 375,00
7 or more doors	quote	quote	quote	quote

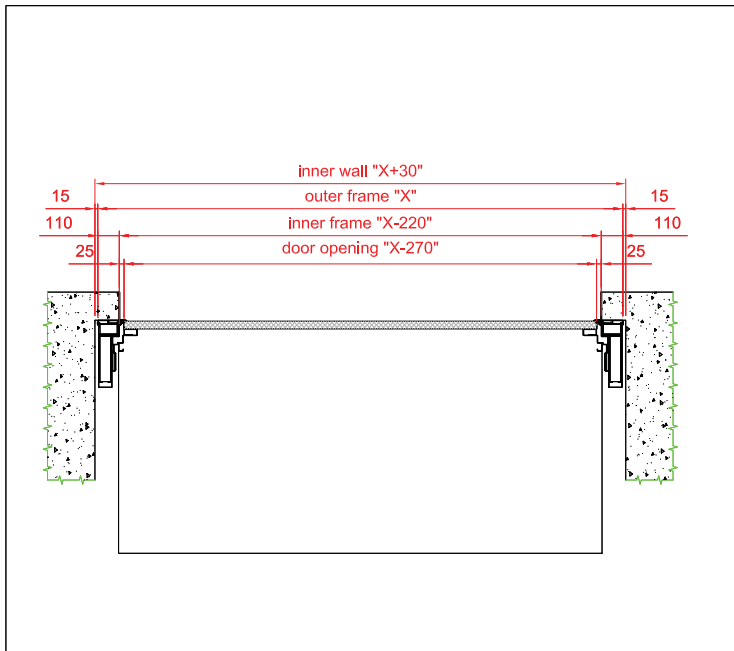
PANELS

Thermal transmittance of the door $U=1,5 \text{ W/m}^2\text{K}$ (value obtained for a door without windows and grids with behind wall installation). Panels in galvanized steel in accordance with UNI EN 10326, UNI EN 10327 and UNI EN 10143, and rigid polyurethane foam density 40kg/m^3 , dimensional stability max. 1% between -25°C and $+70^\circ\text{C}$ in accordance with UNI EN 8069, working temperature between -90°C and $+80^\circ\text{C}$, cellular structure in non-hygroscopic material with 95% closed cells and an absorption value of the water of less than 3% in volume

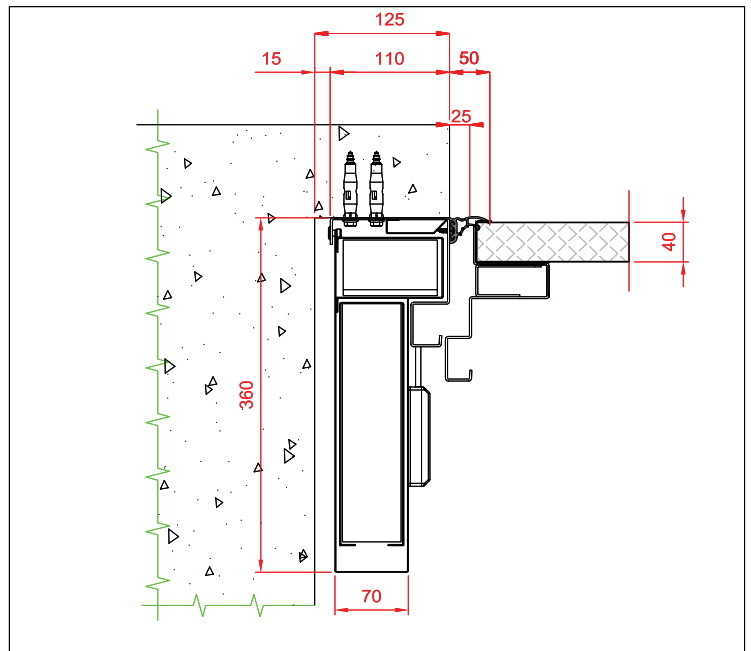


BEHIND WALL INSTALLATION

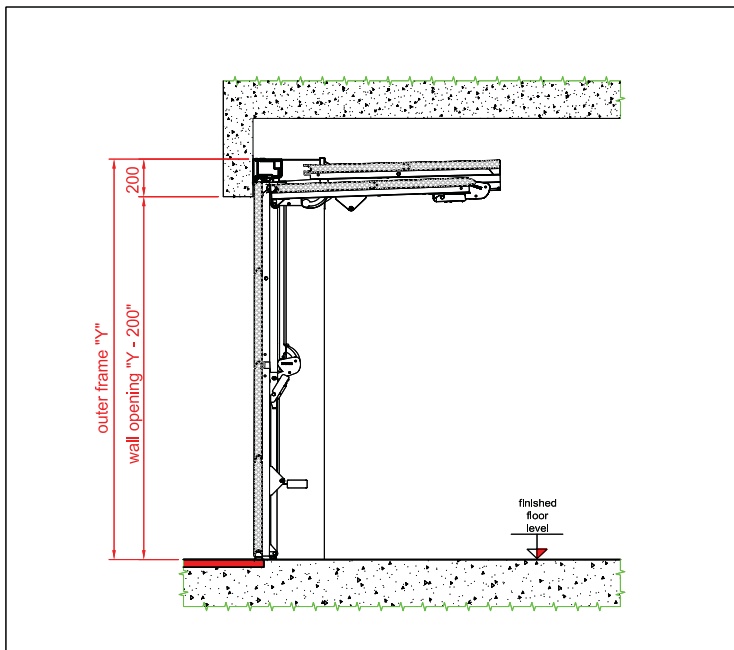
Horizontal section



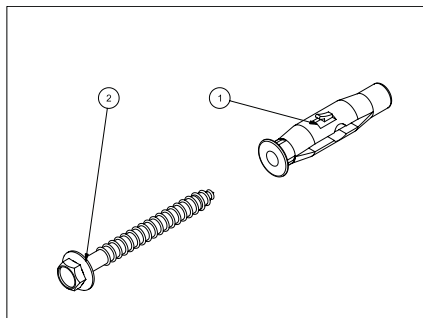
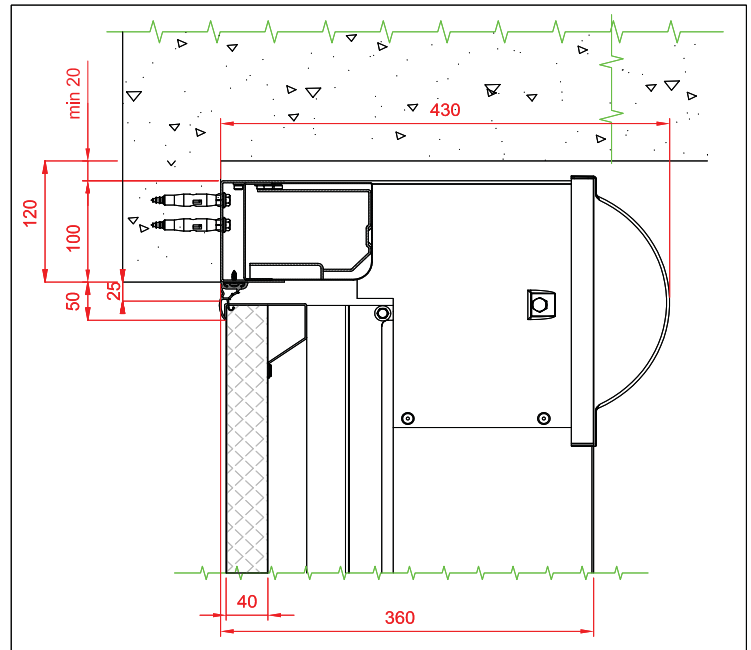
Horizontal section - detail



Vertical section - general



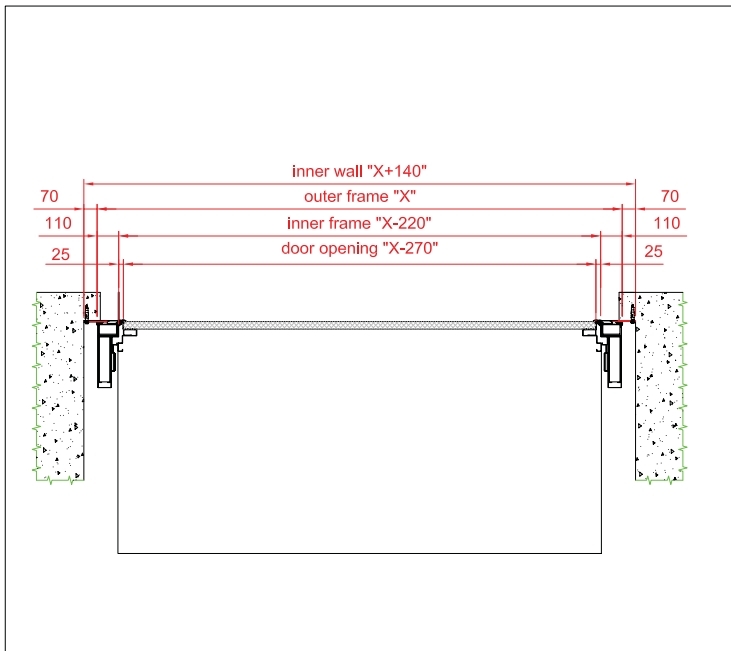
Vertical section - detail



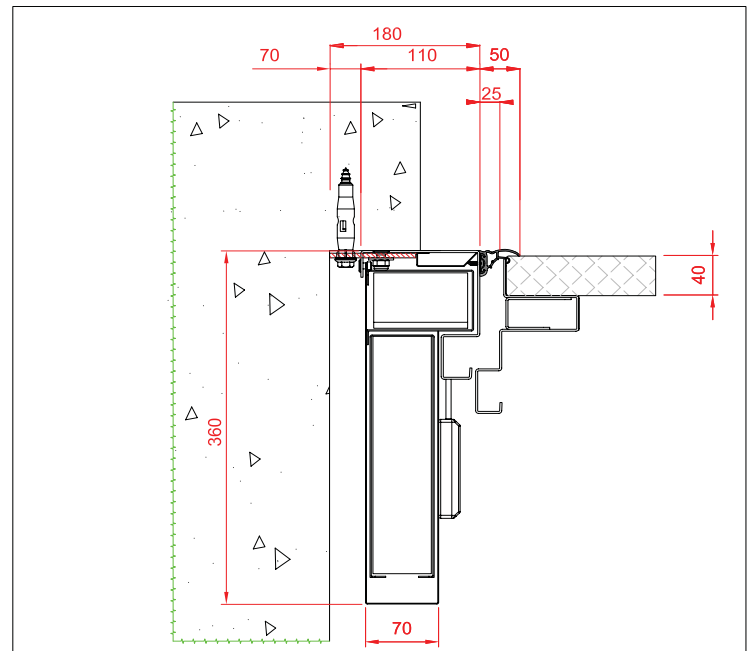
Fixing Kit (q.ty 13 pcs)

PARTIALLY BEHIND WALL INSTALLATION

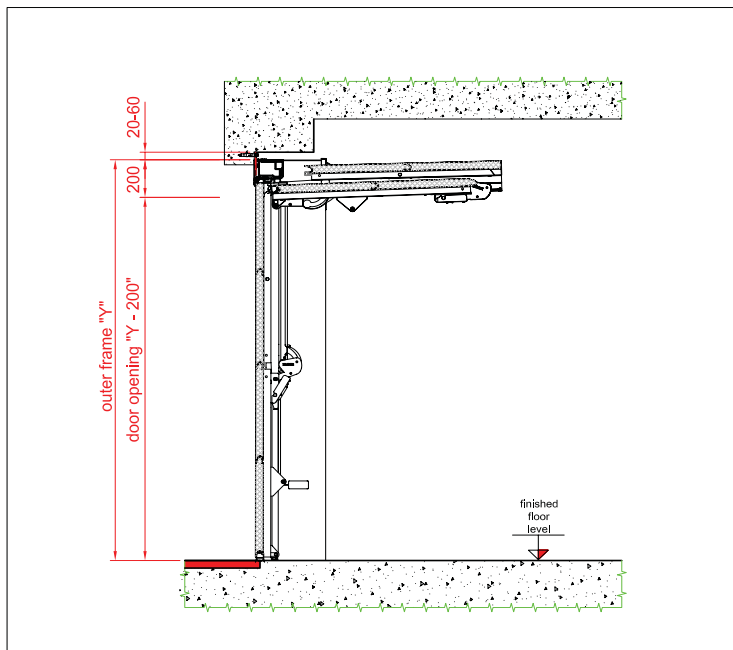
Horizontal section



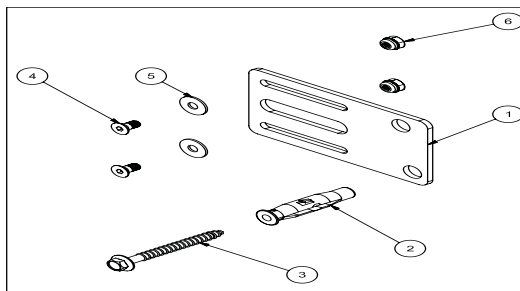
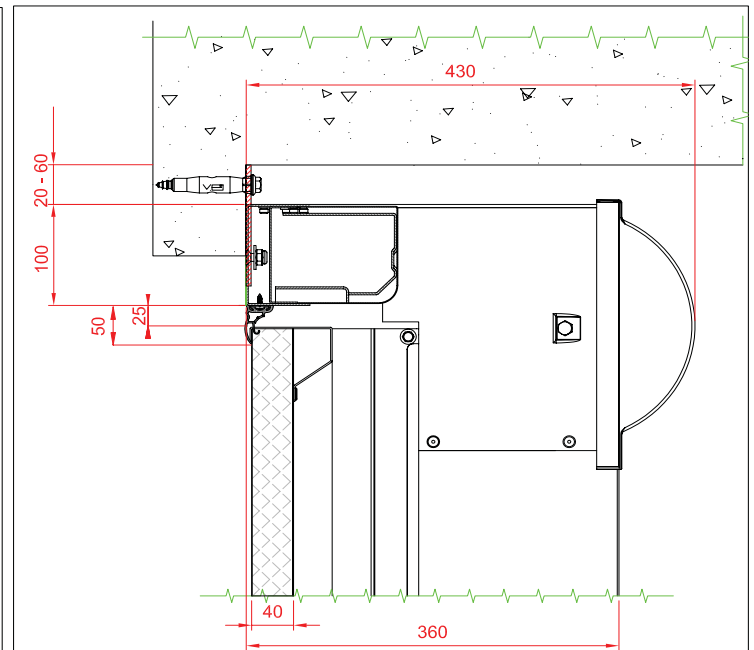
Horizontal section - detail



Vertical section - general



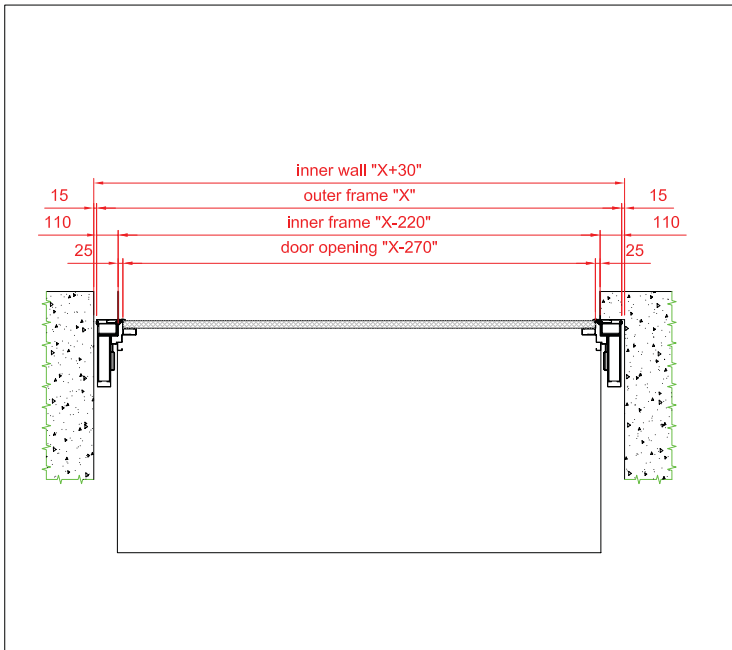
Vertical section - detail



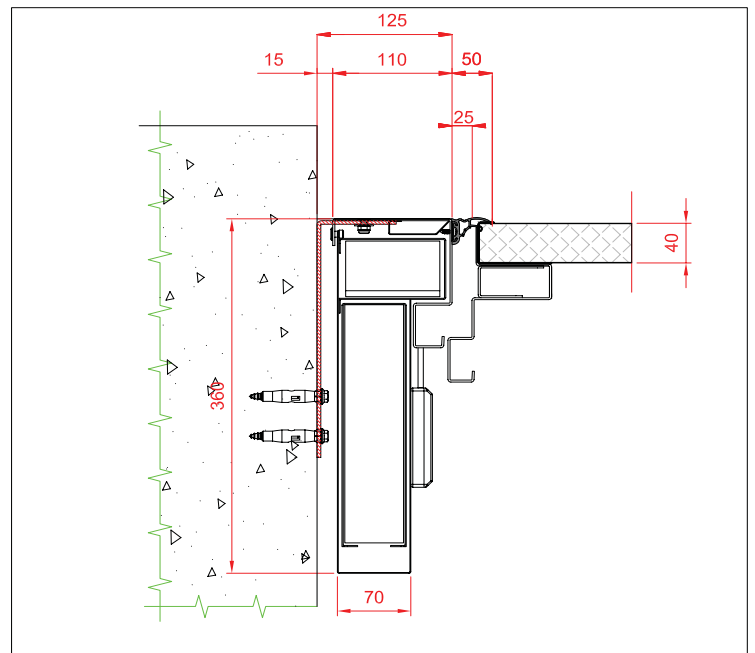
Fixing Kit (q.ty 13 pcs)

BETWEEN WALL INSTALLATION SECTORS A - B - C - D (WITHOUT TUBULARS POSTS)

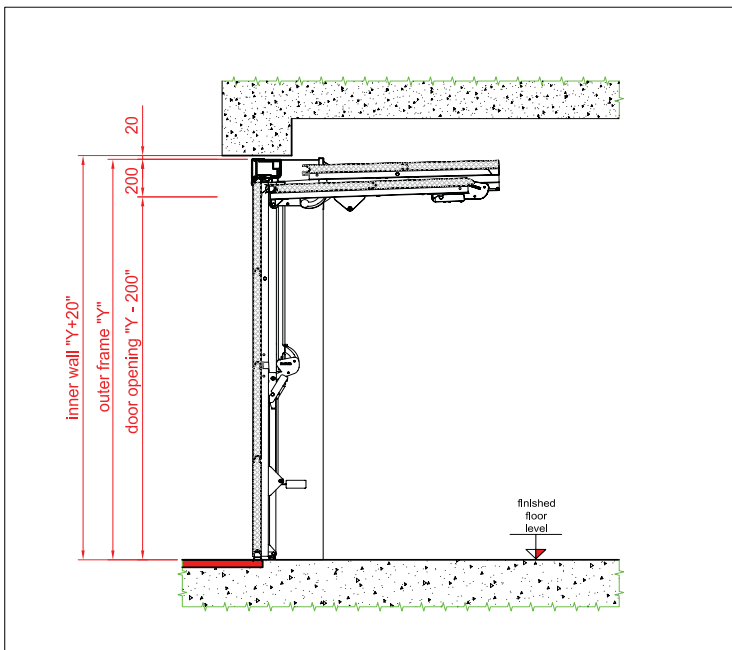
Horizontal section - general



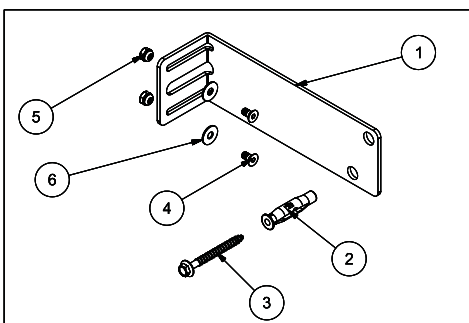
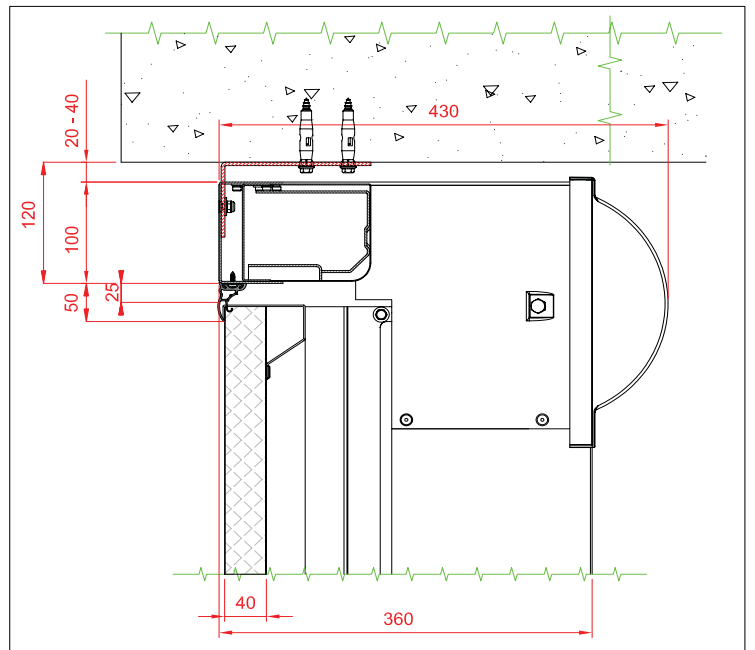
Horizontal section - detail



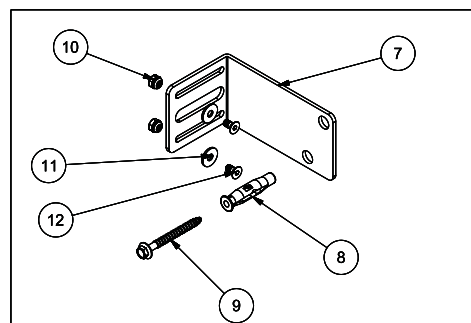
Vertical section - general



Vertical section - detail



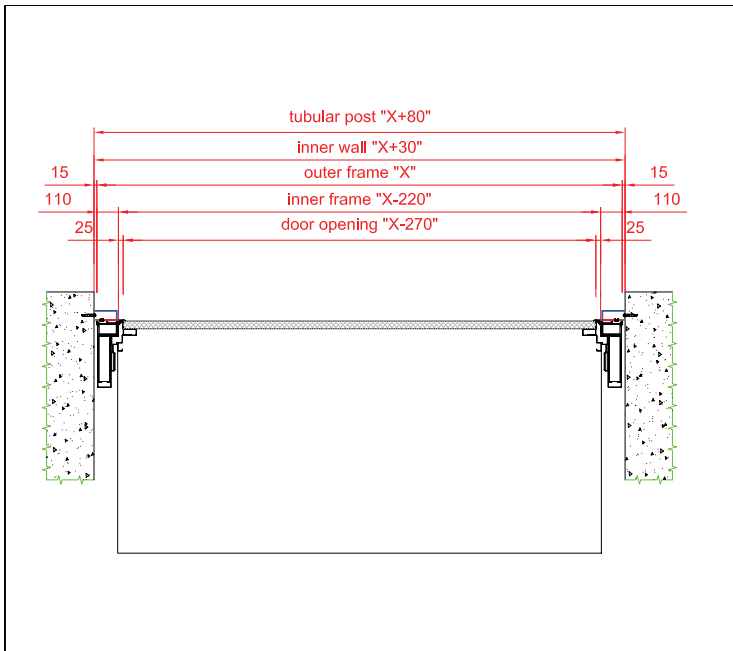
**Fixing Kit
(q.ty 8 pcs)**



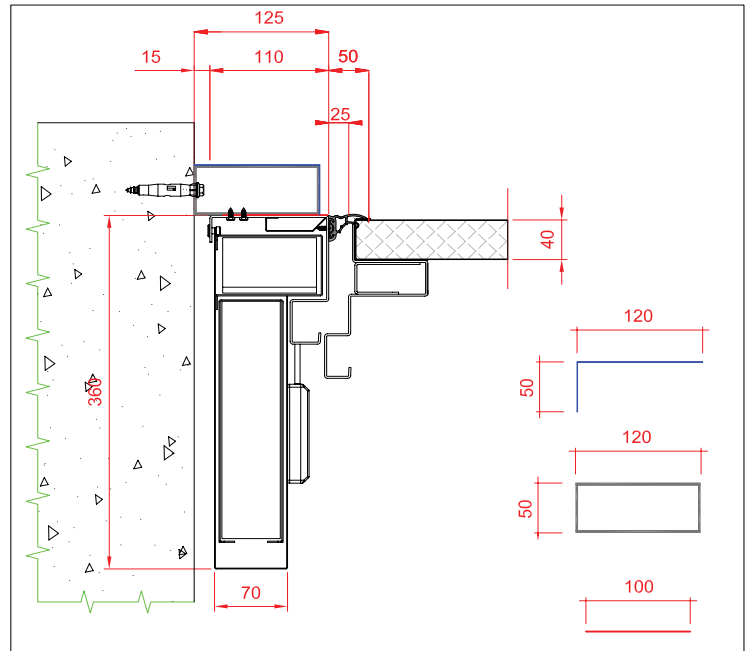
**Fixing Kit
(q.ty 8 pcs)**

BETWEEN WALL INSTALLATION - ALL FRAME BETWEEN WALL SECTORS E - F - G - H - I (WITH TUBULARS POSTS)

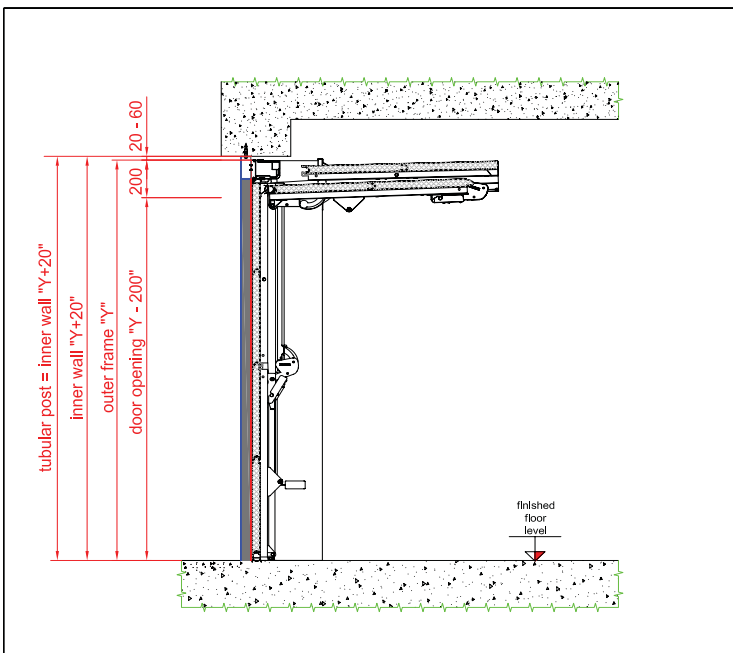
Horizontal section - general



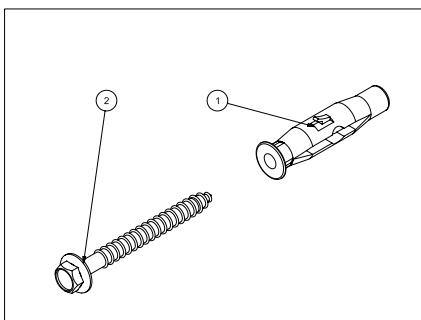
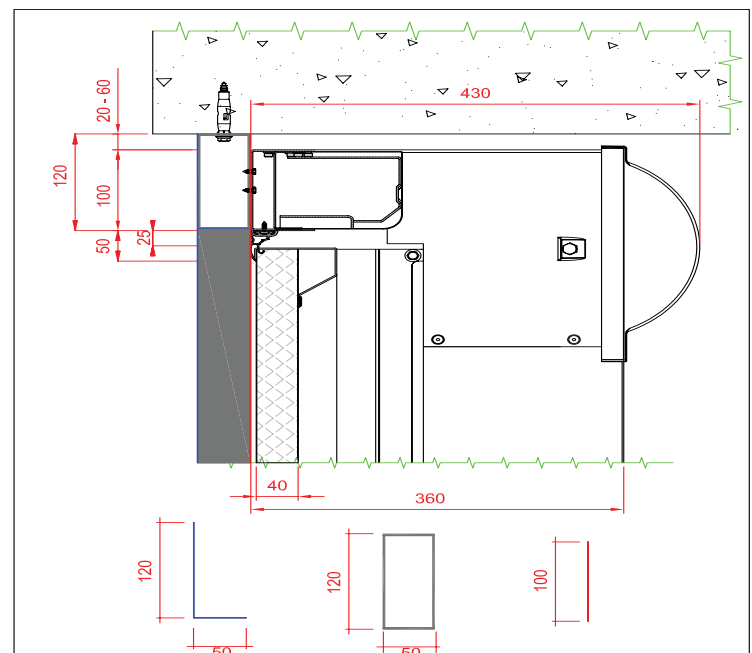
Horizontal section - detail



Vertical section - general



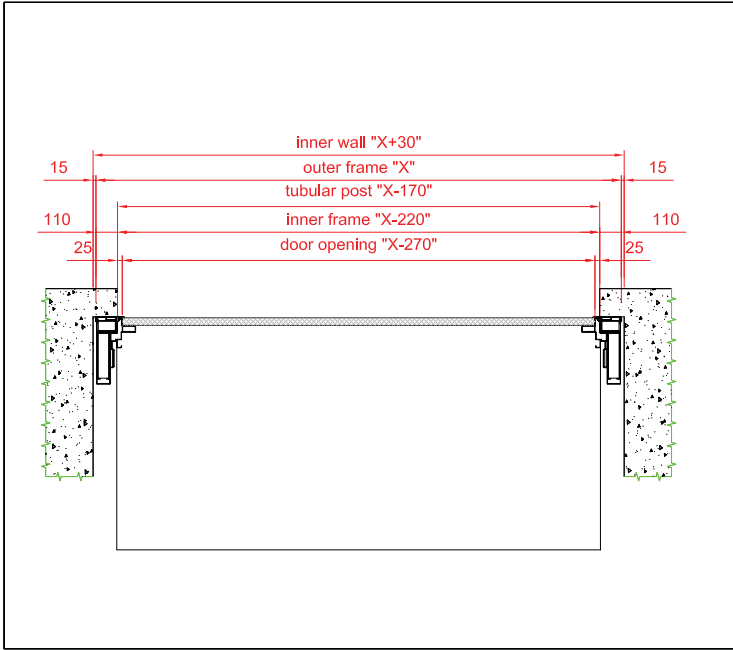
Vertical section - detail



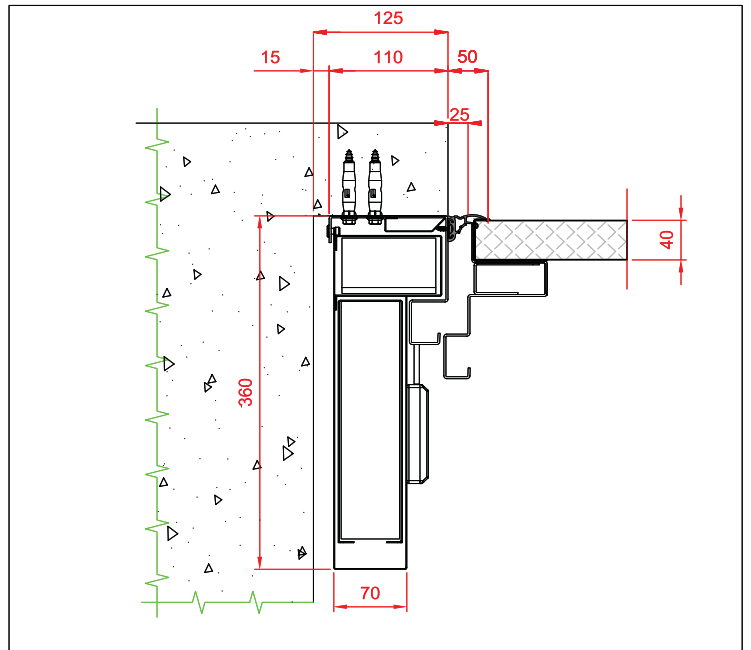
Fixing Kit (q.ty 8 pcs)

BETWEEN WALL INSTALLATION - ONLY CROSSBAR BETWEEN WALL SECTORS E - F - G - H - I (WITH TUBULAR POSTS)

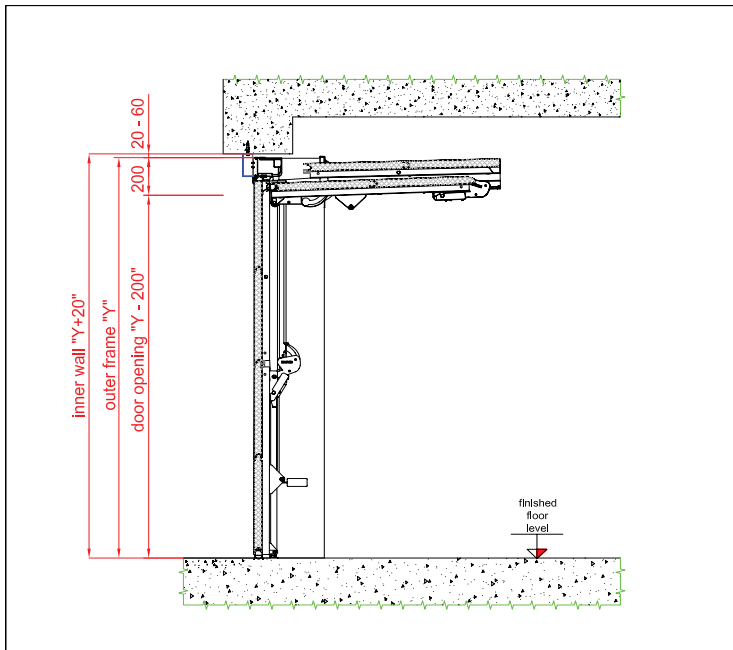
Horizontal section - general



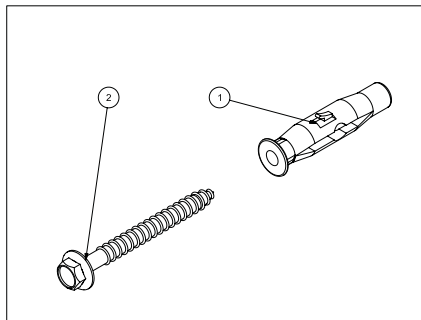
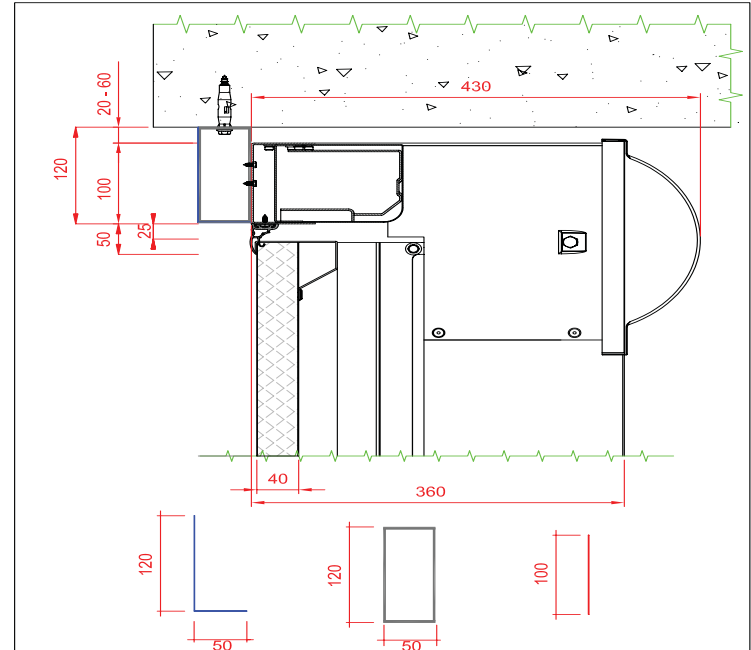
Horizontal section - detail



Vertical section - general



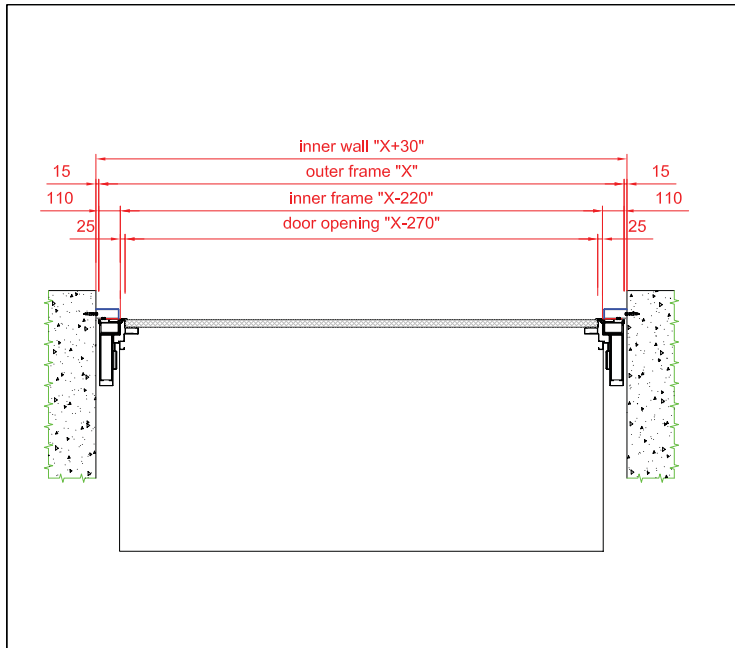
Vertical section - detail



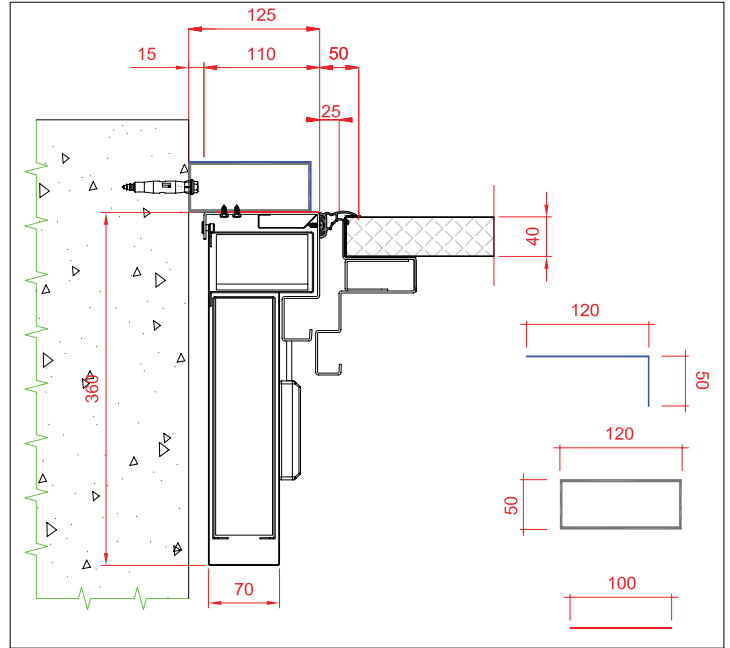
Fixing Kit (q.ty 13 pcs)

BETWEEN WALL INSTALLATION - ONLY UPRIGHTS BETWEEN WALL SECTORS E - F - G - H - I (WITH TUBULAR POSTS)

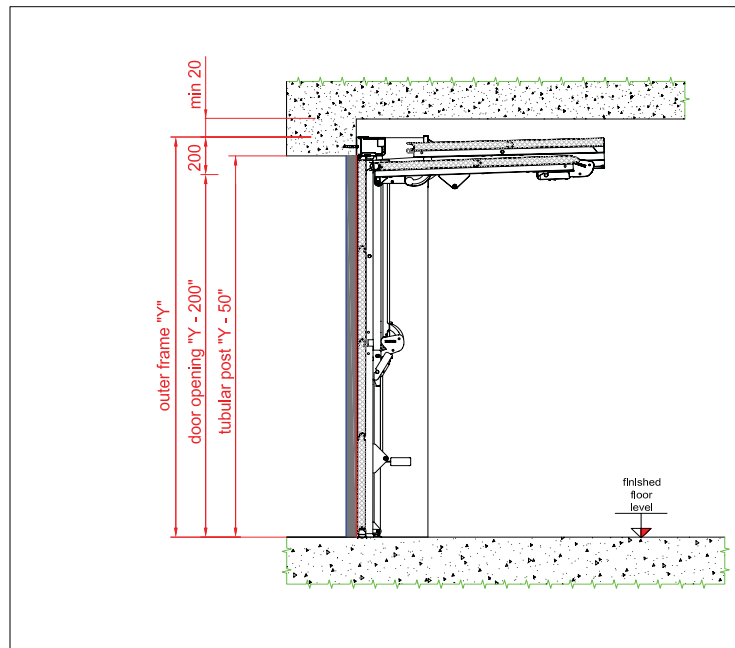
Horizontal section - general



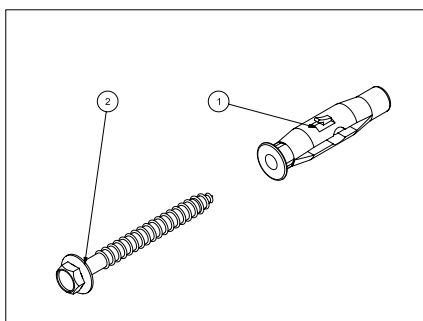
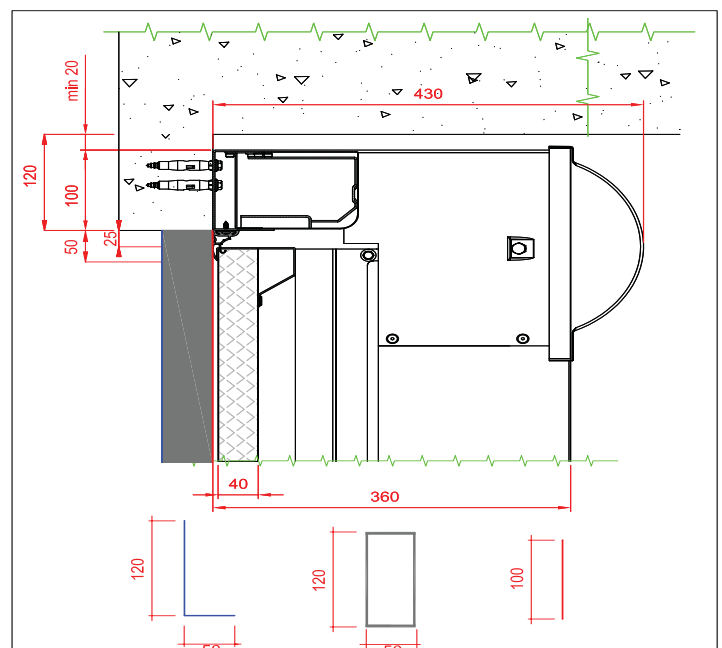
Horizontal section - detail



Vertical section - general



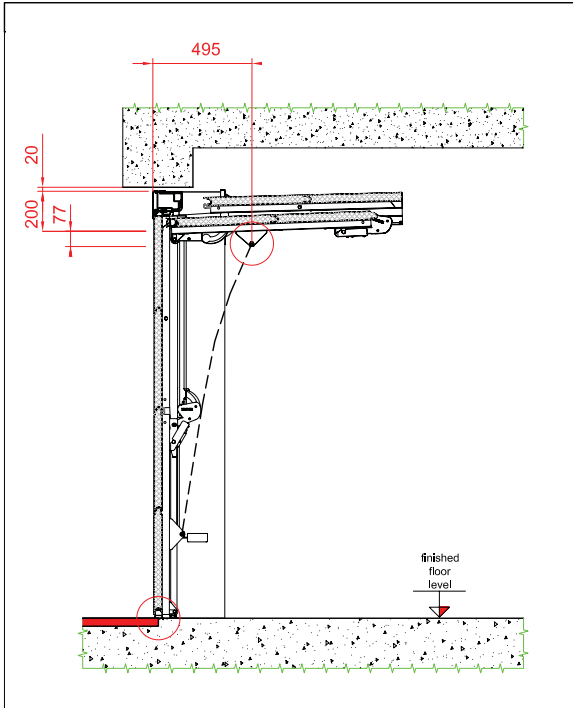
Vertical section - detail



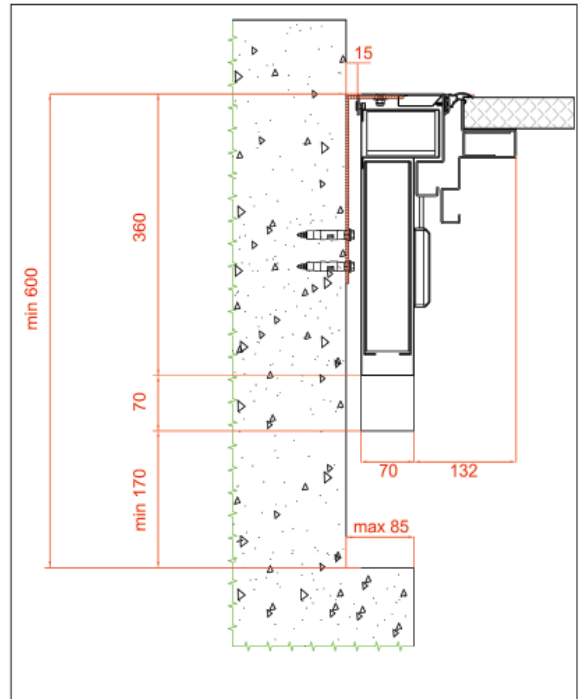
Fixing Kit (q.ty 13 pcs)

TECHNICAL DETAILS

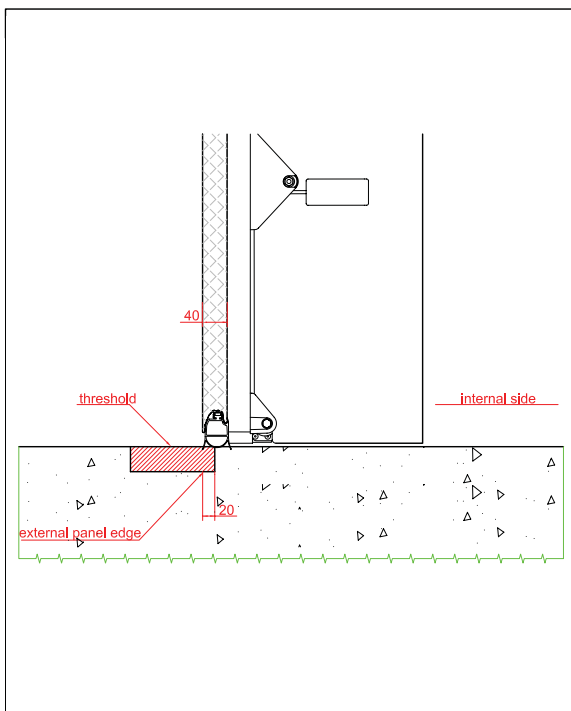
Pivot



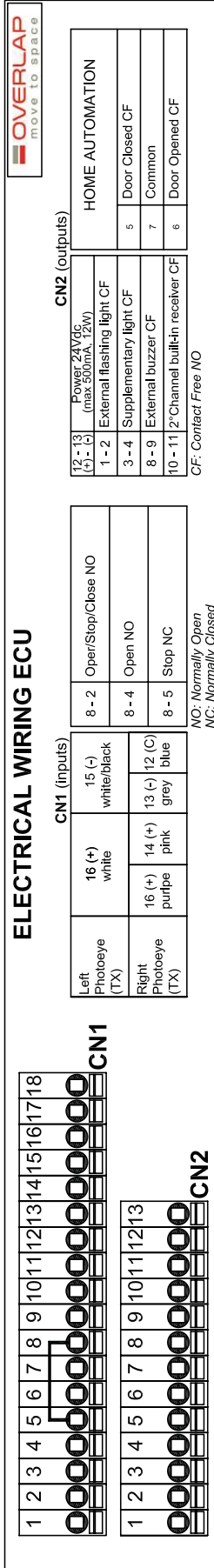
Internal side



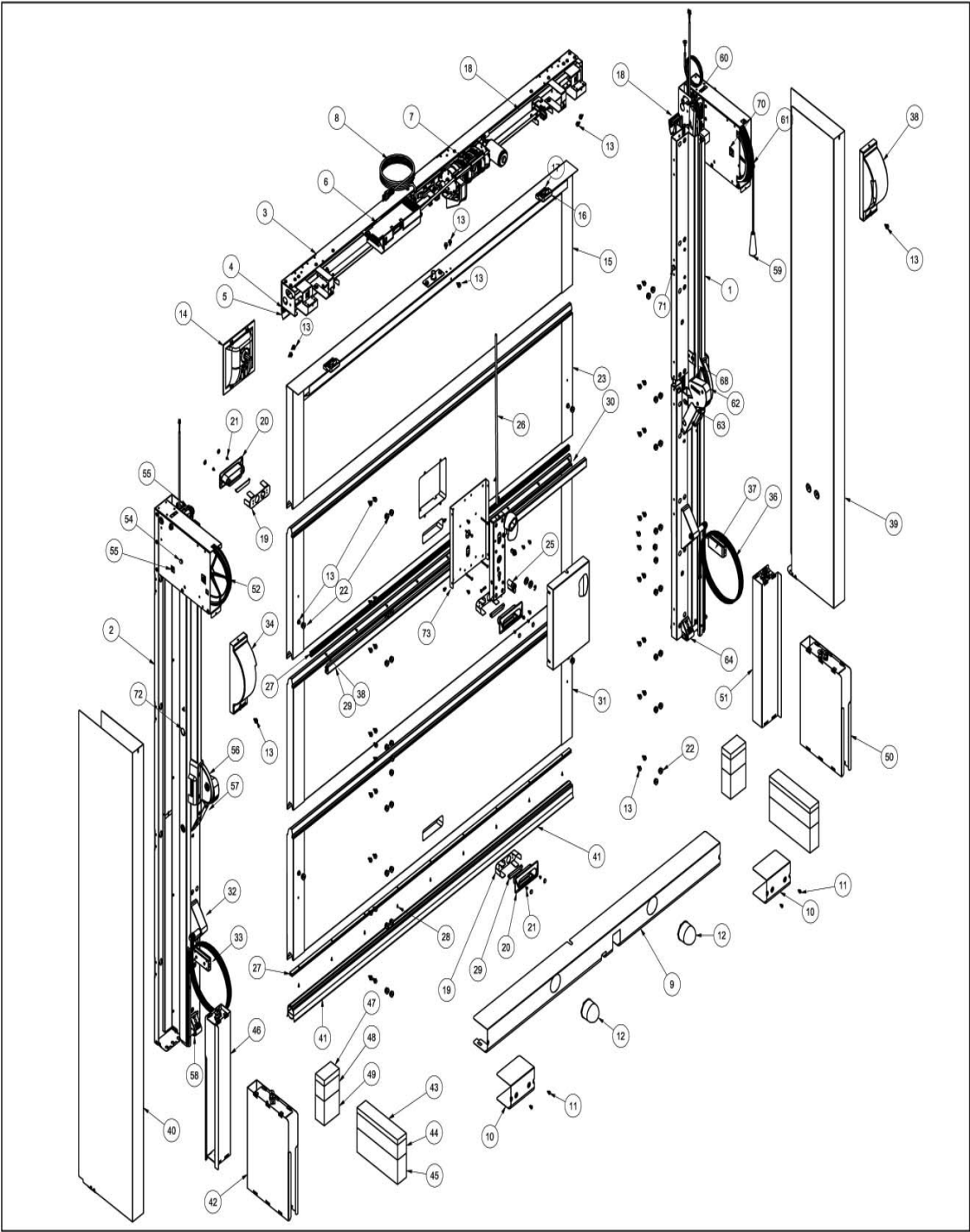
Threshold



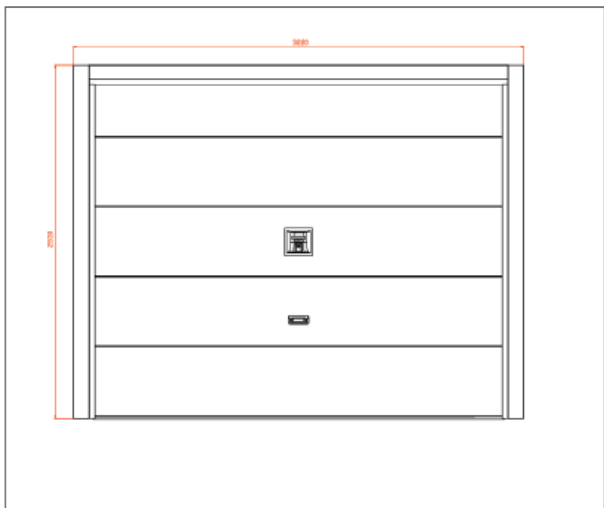
ELECTRONIC BOARD



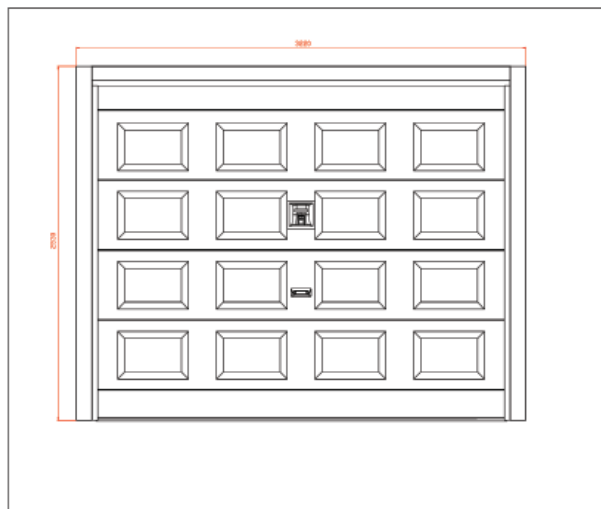
EXPLODED VIEW DRAWING



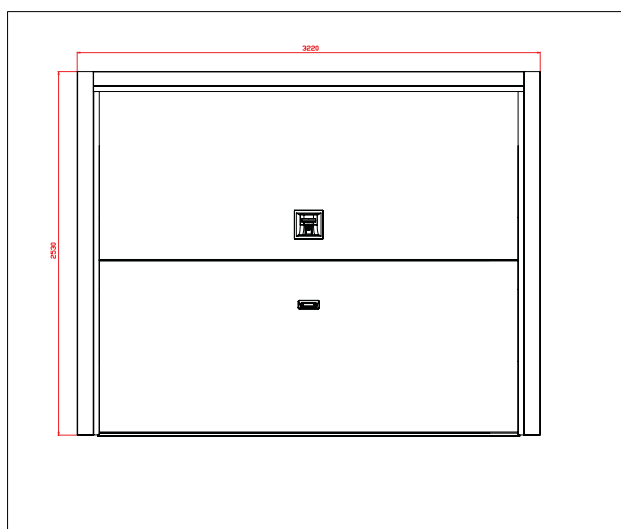
HANDLES H < 2580



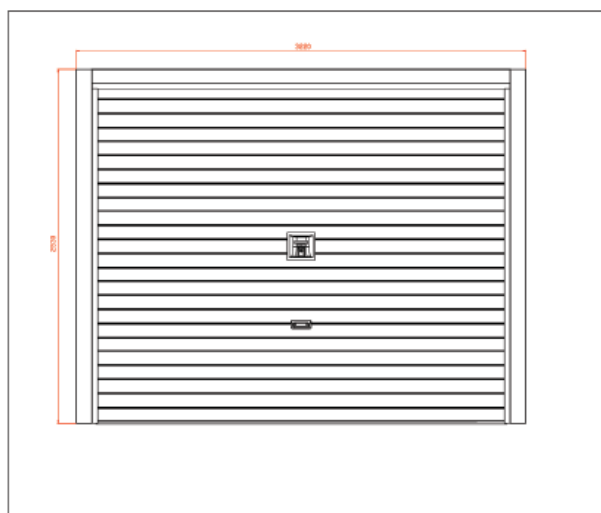
Model AIR



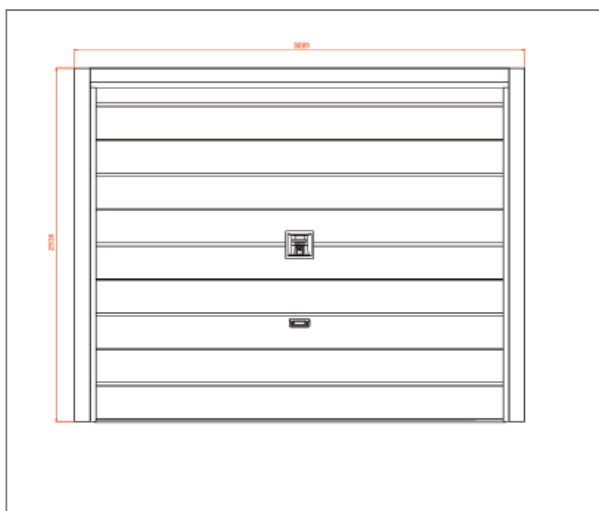
Model BOX



Model PLANA

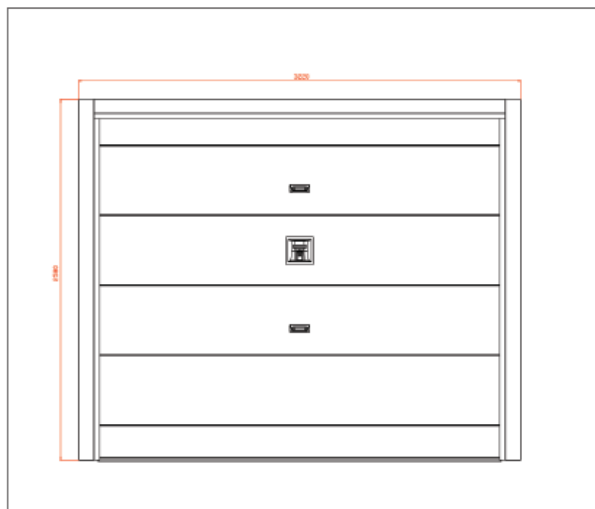


Model SOUND

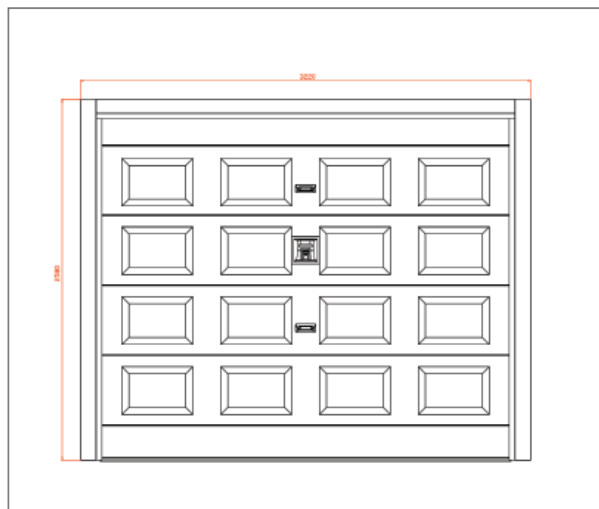


Model WIDE

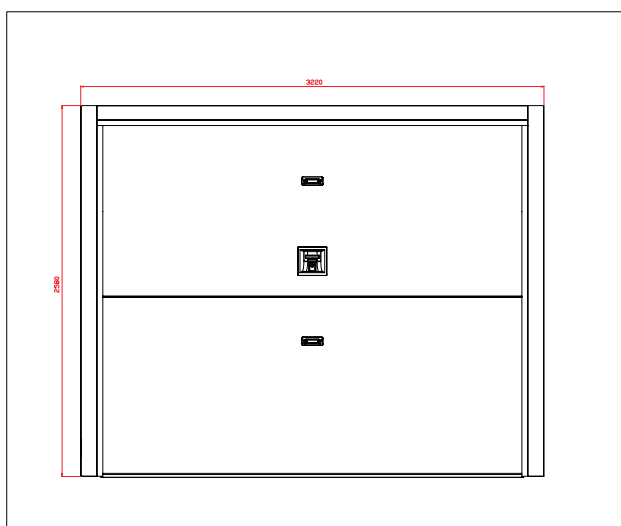
HANDLES H \geq 2580



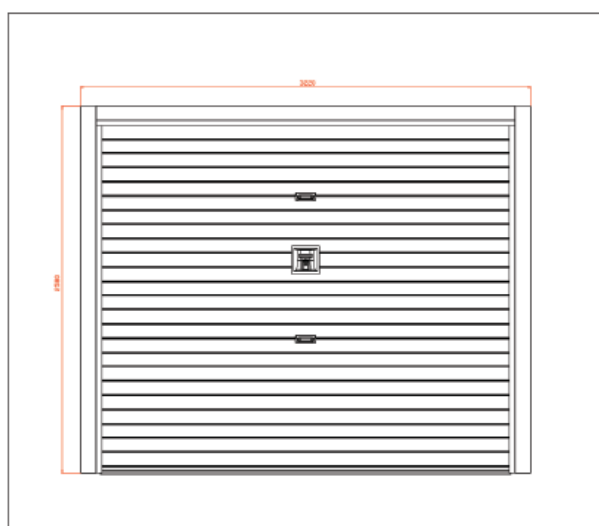
Model AIR



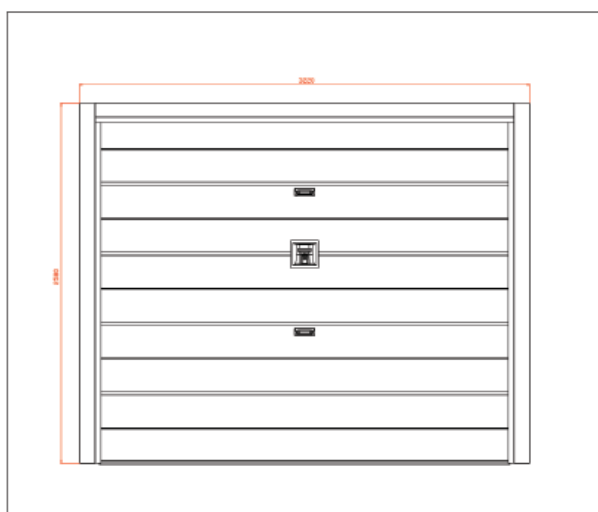
Model BOX



Model PLANA

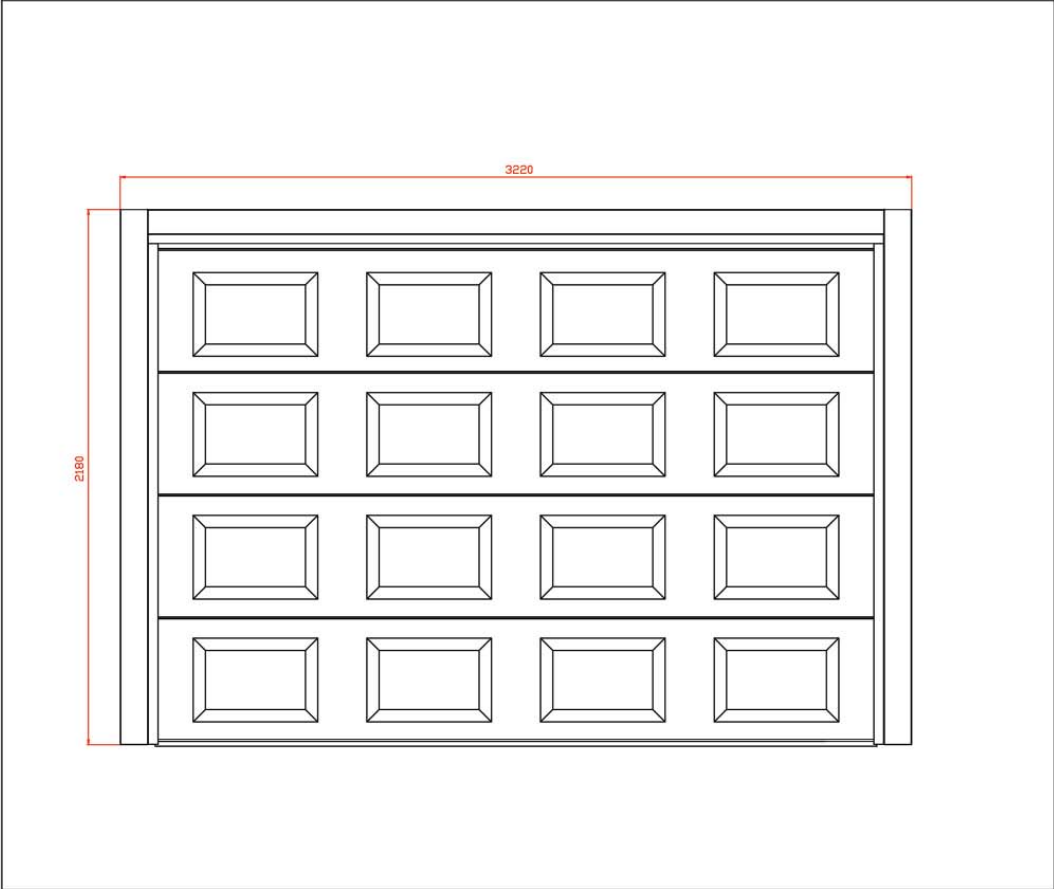
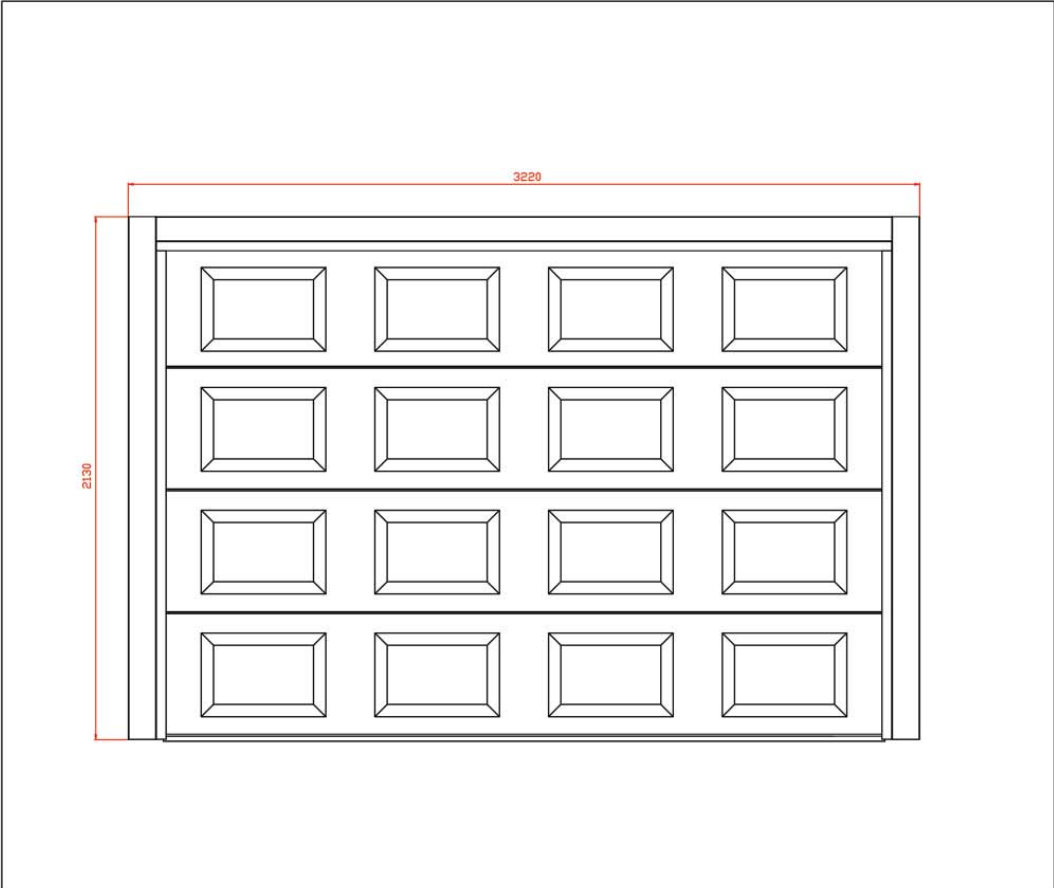


Model SOUND

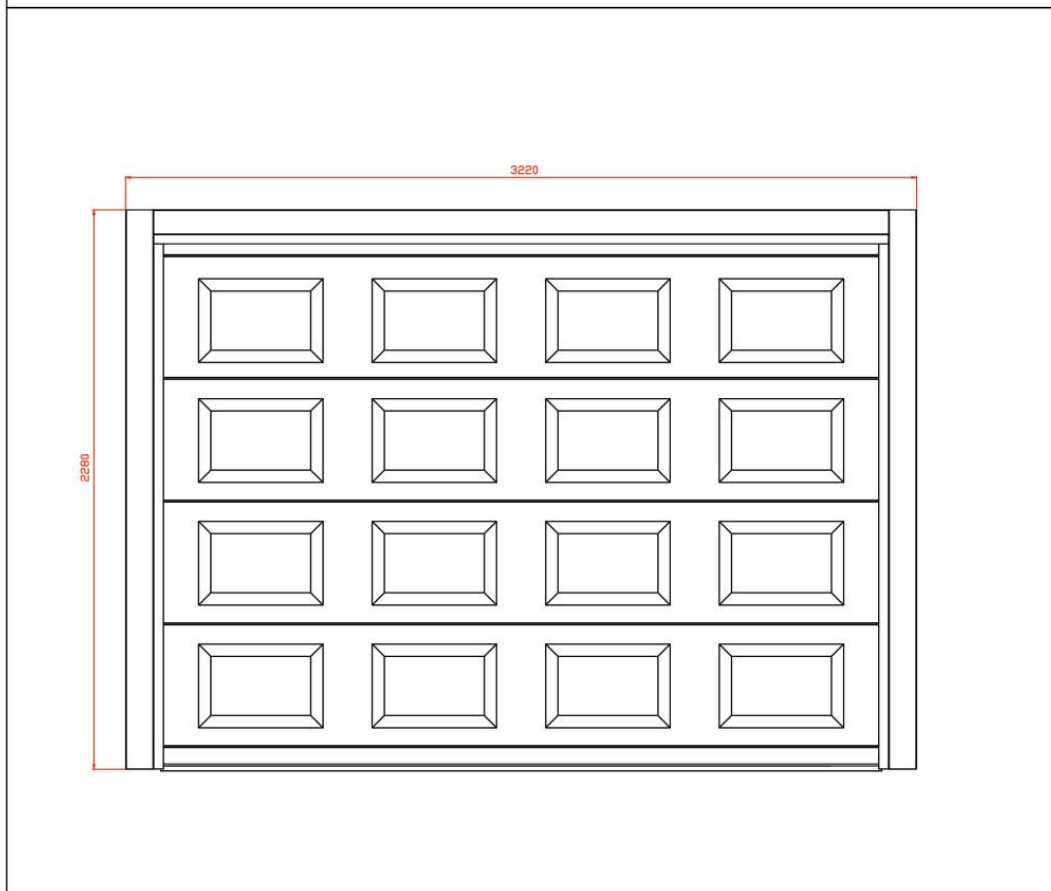
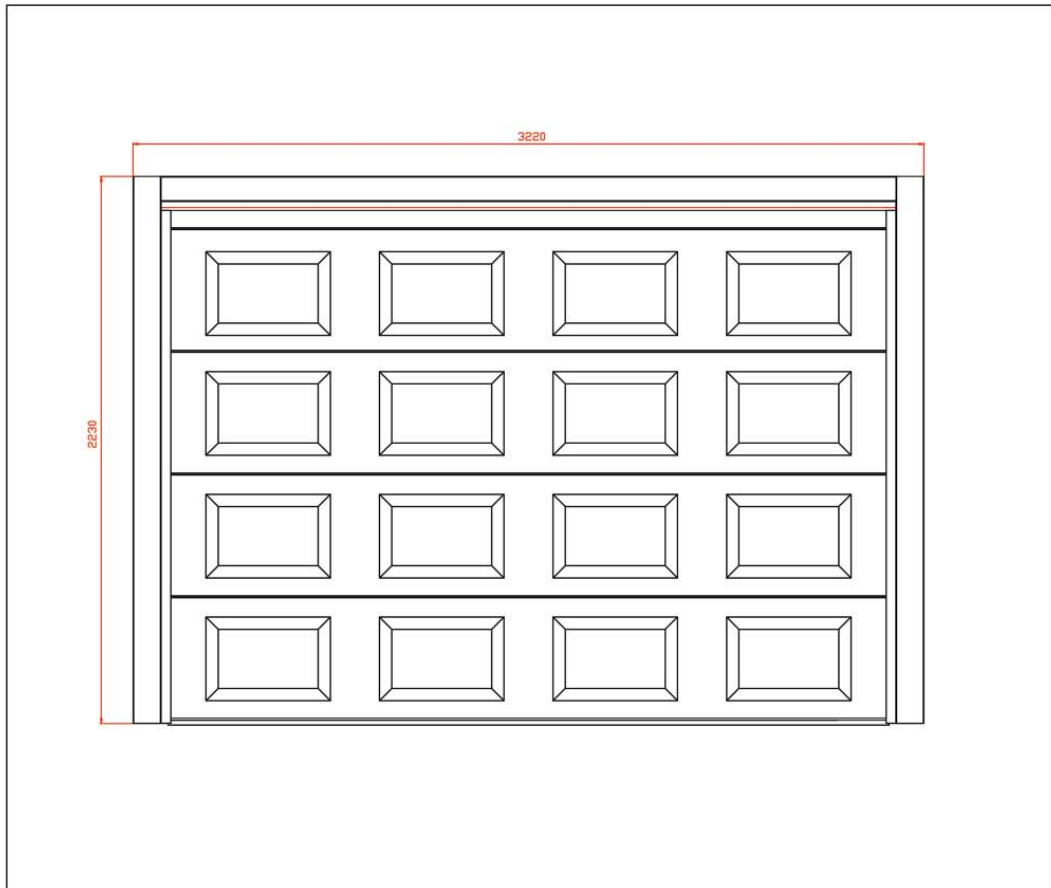


Model WIDE

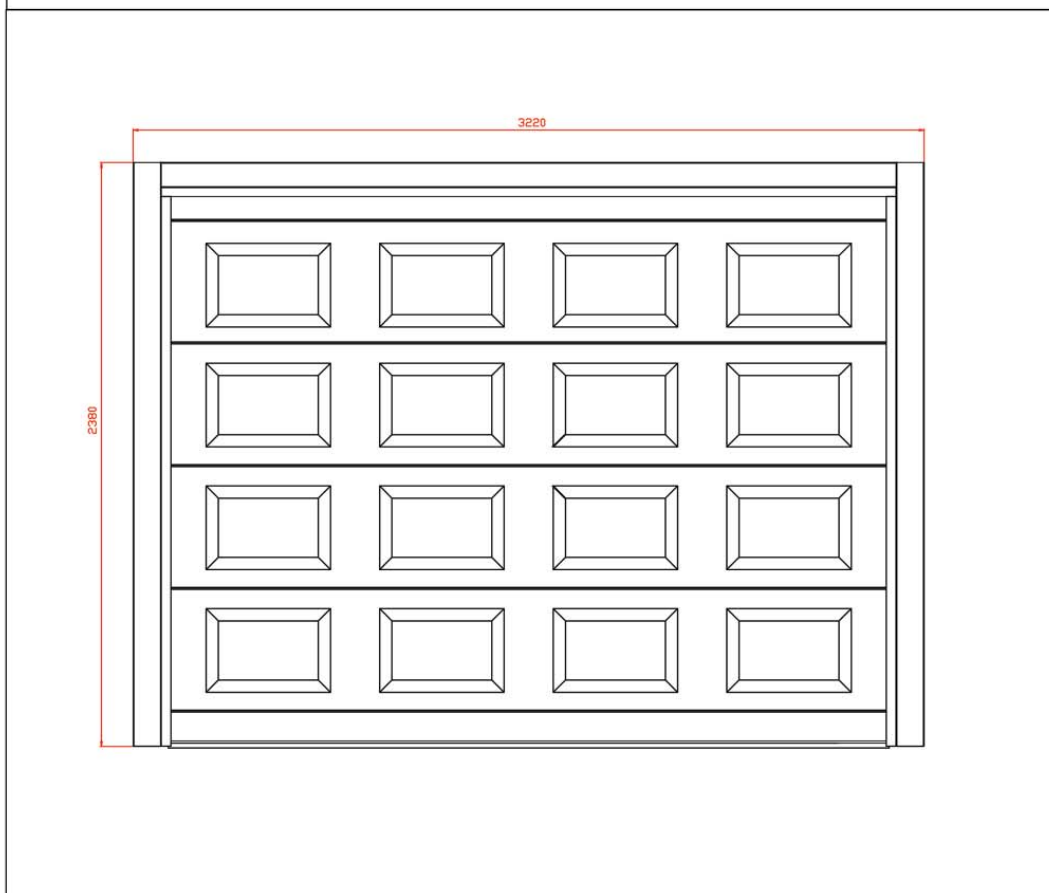
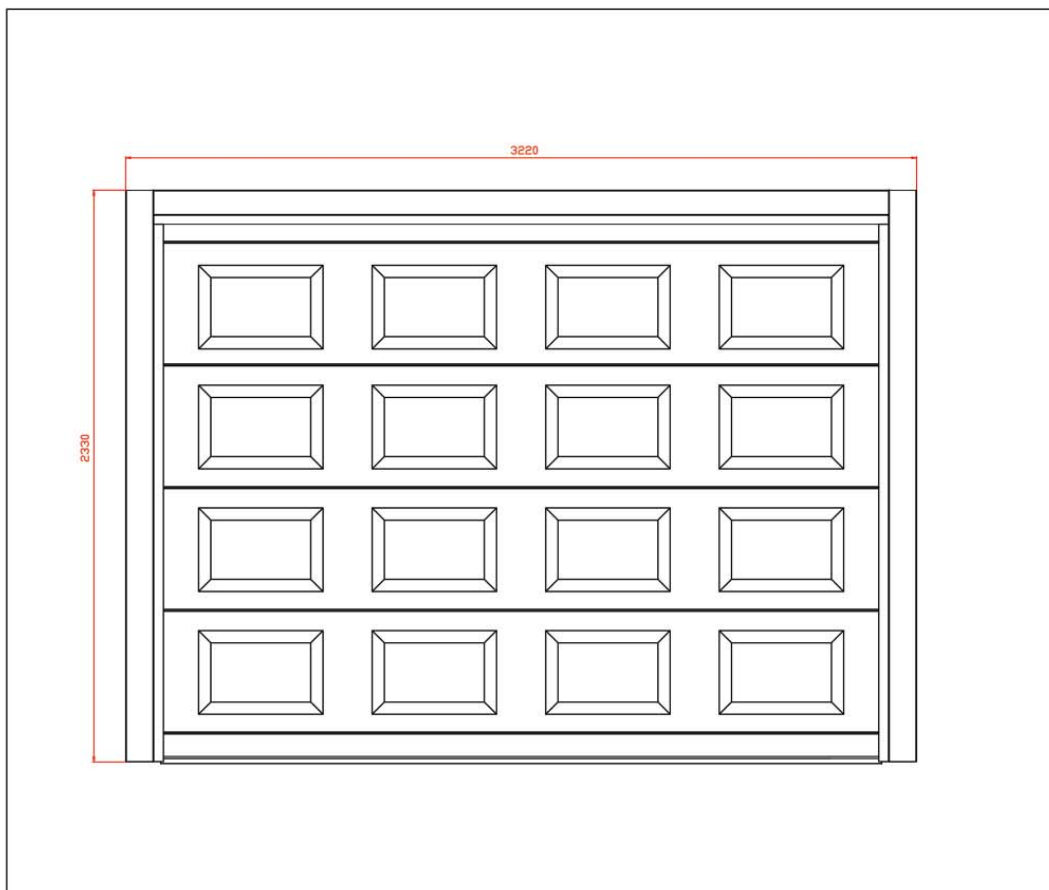
CONFIGURATIONS BY HEIGHT - MODEL BOX



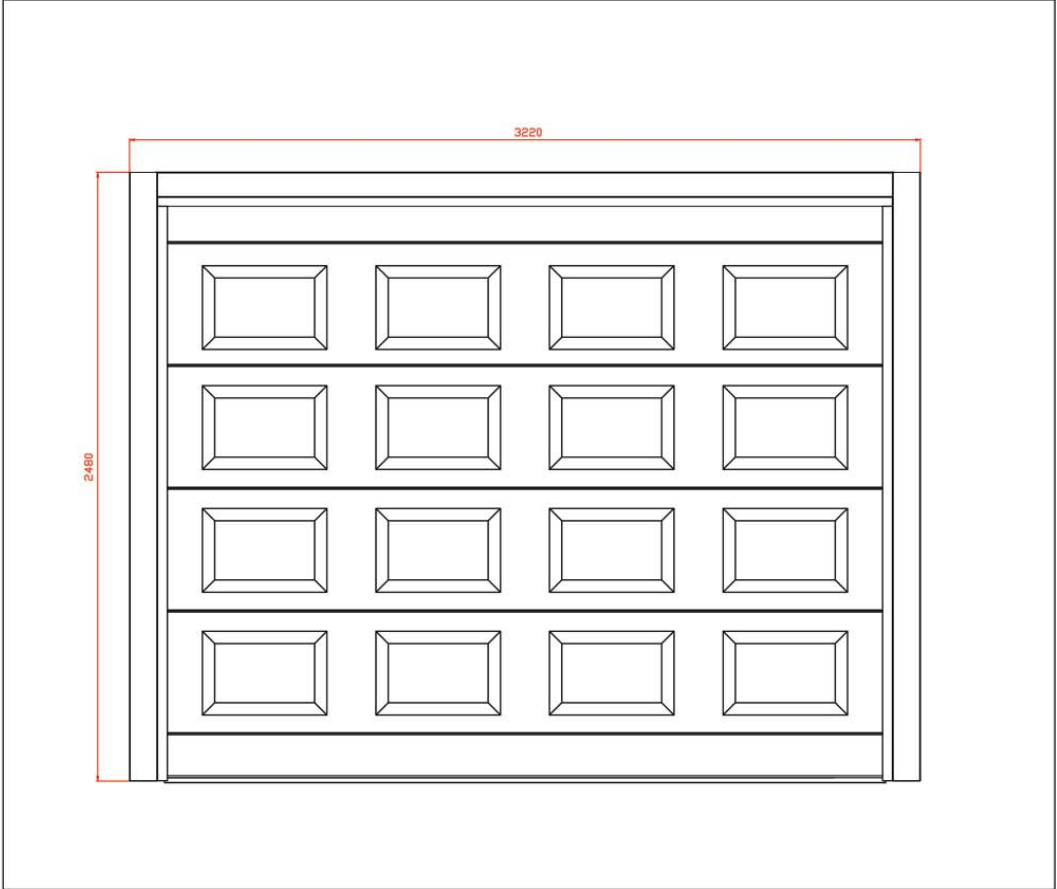
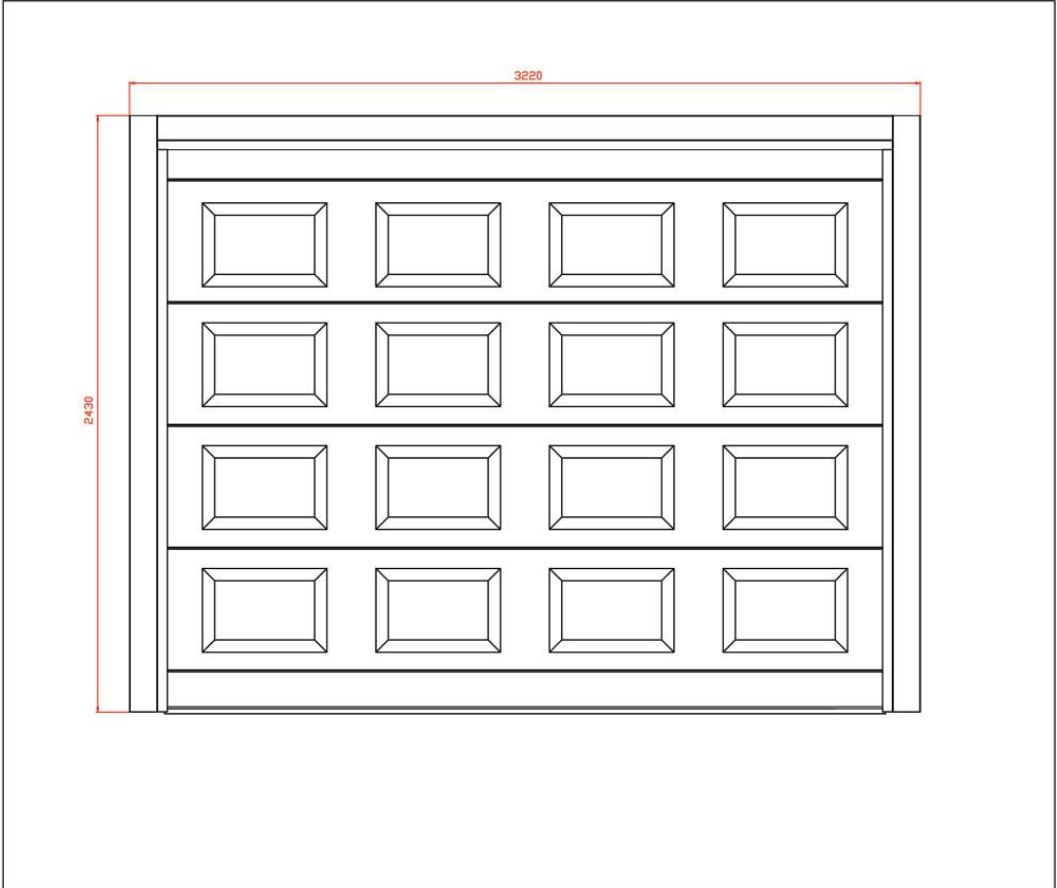
CONFIGURATIONS BY HEIGHT - MODEL BOX



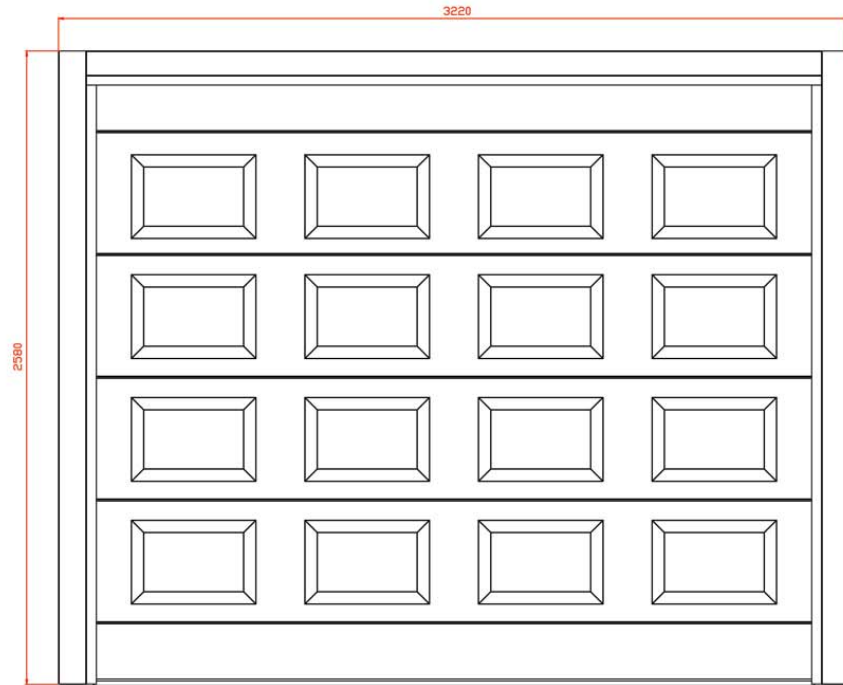
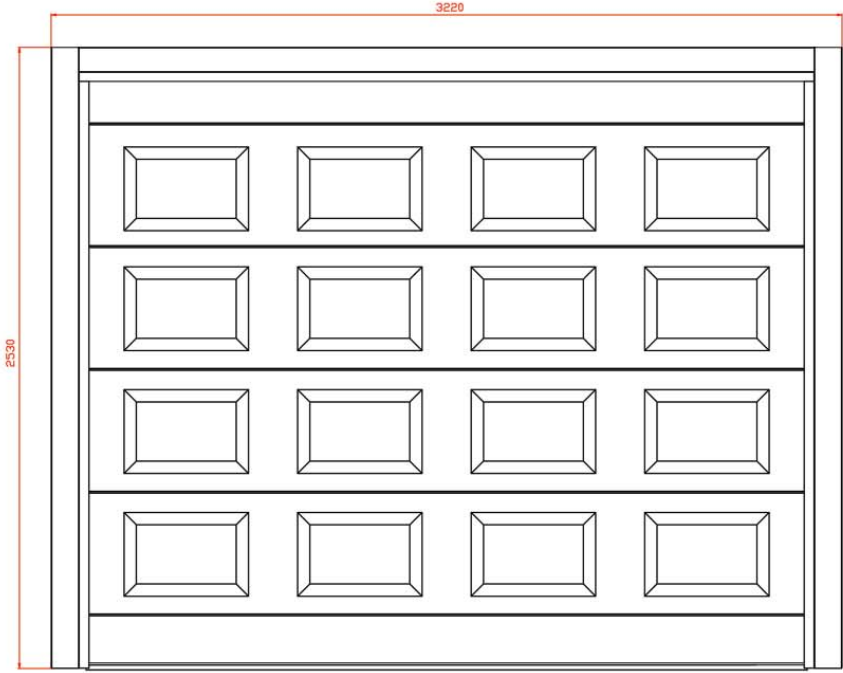
CONFIGURATIONS BY HEIGHT - MODEL BOX



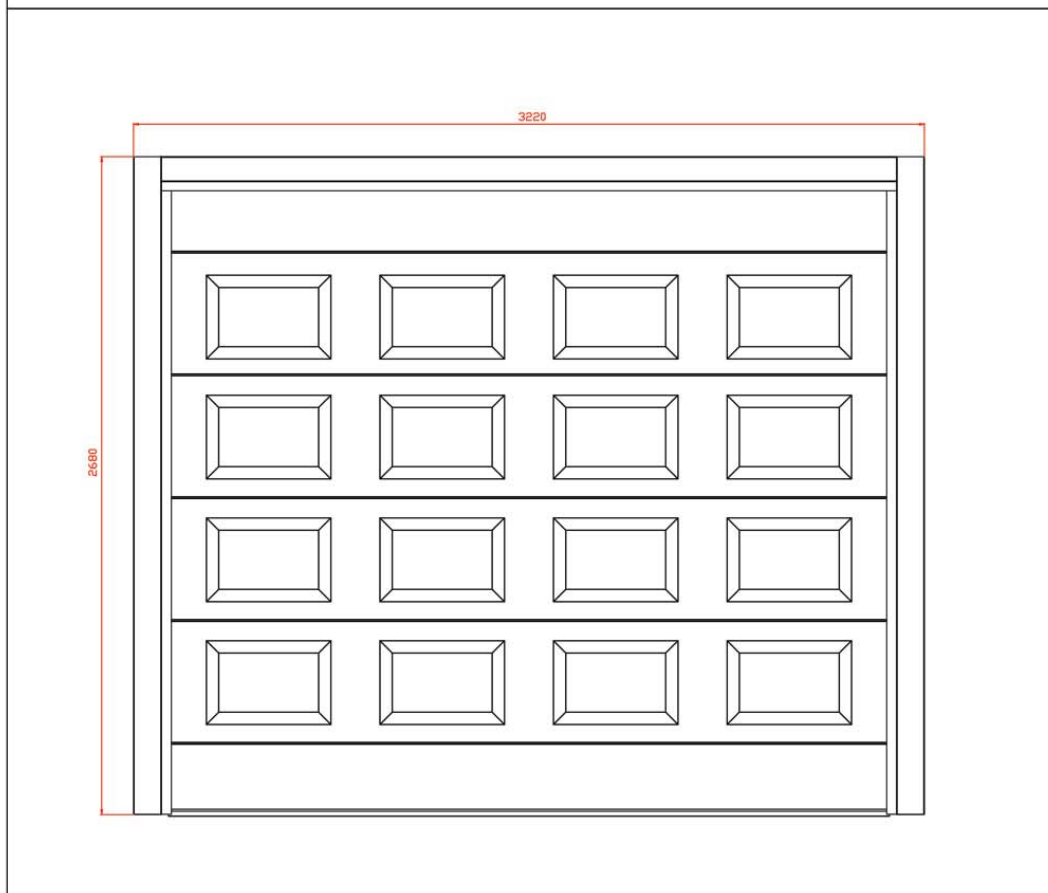
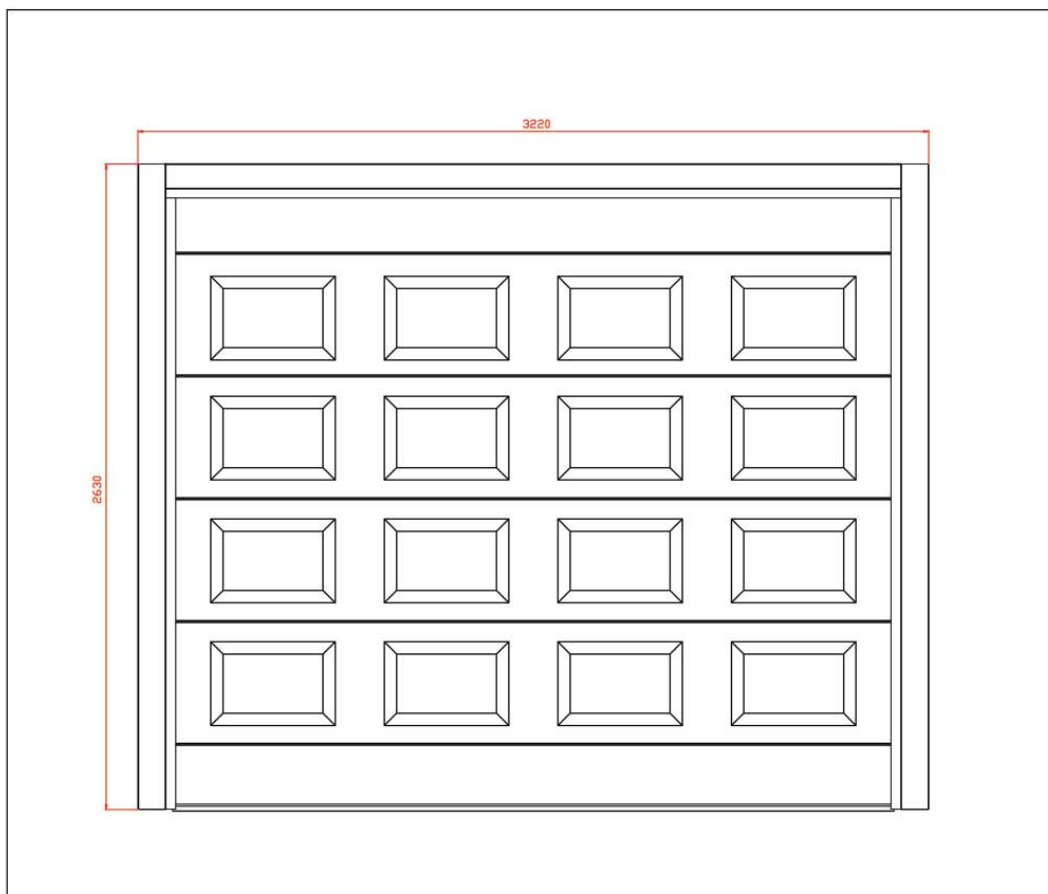
CONFIGURATIONS BY HEIGHT - MODEL BOX



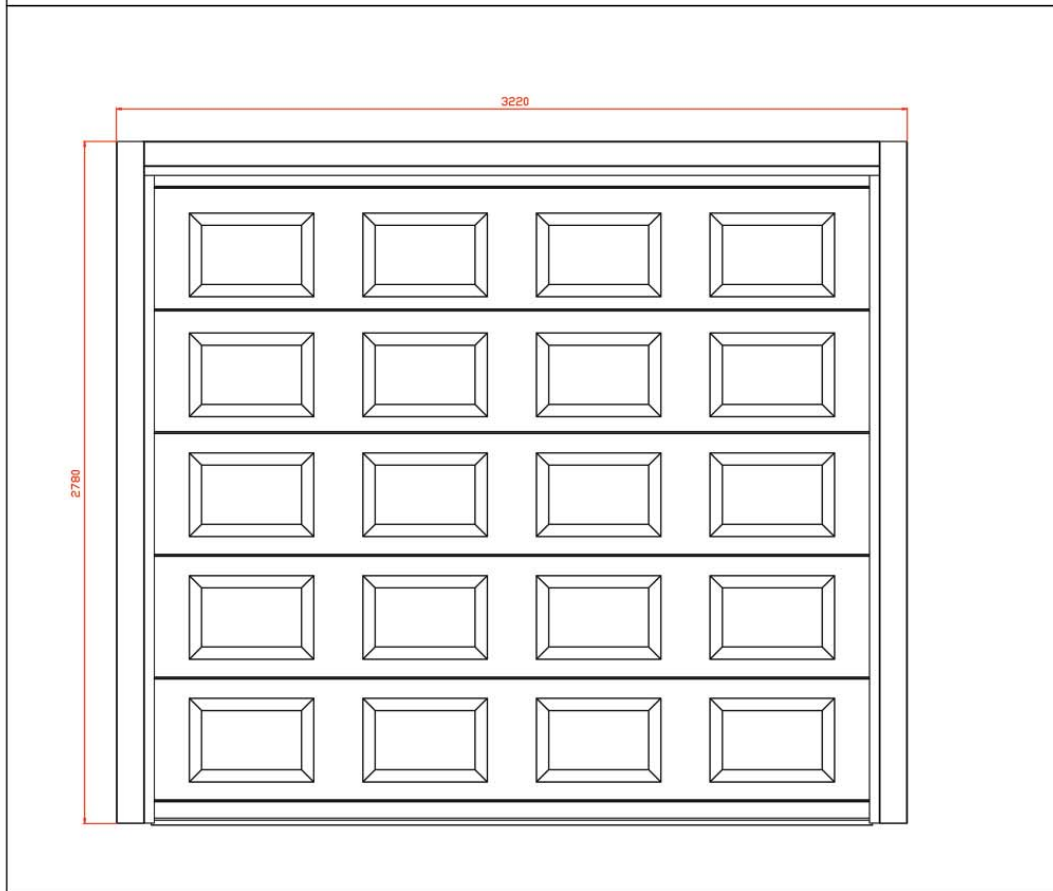
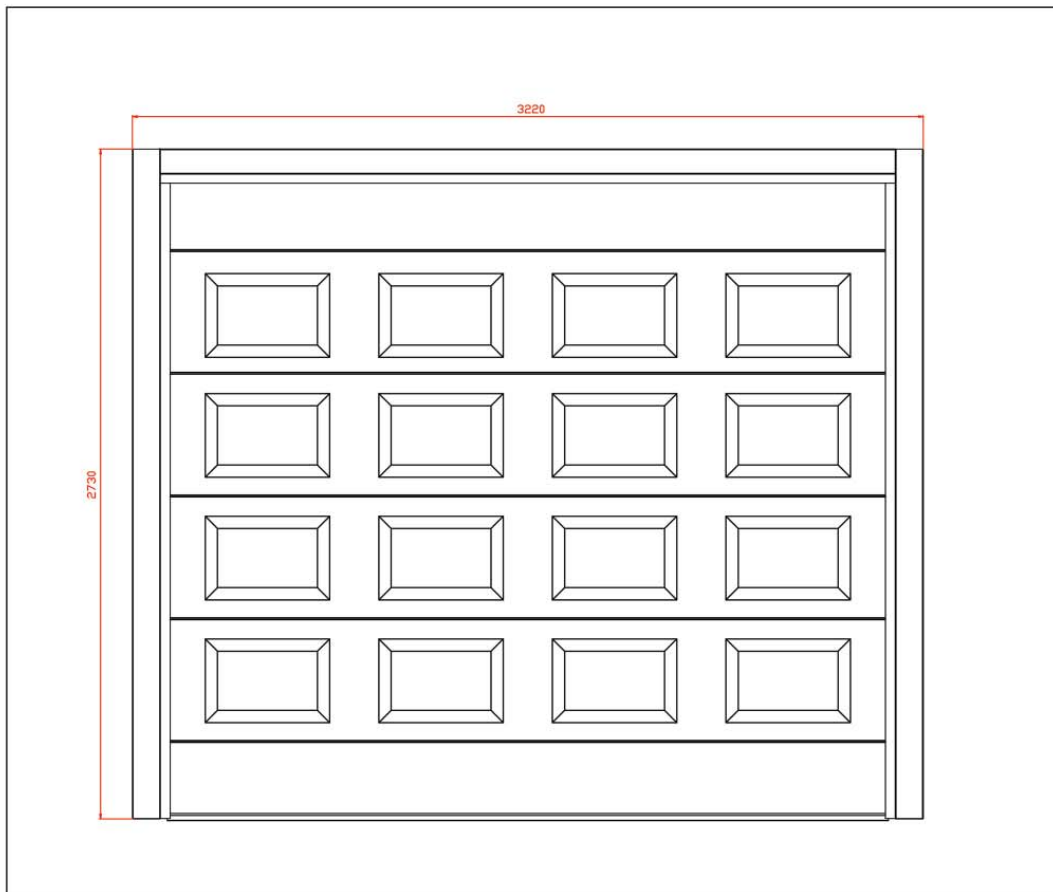
CONFIGURATIONS BY HEIGHT - MODEL BOX



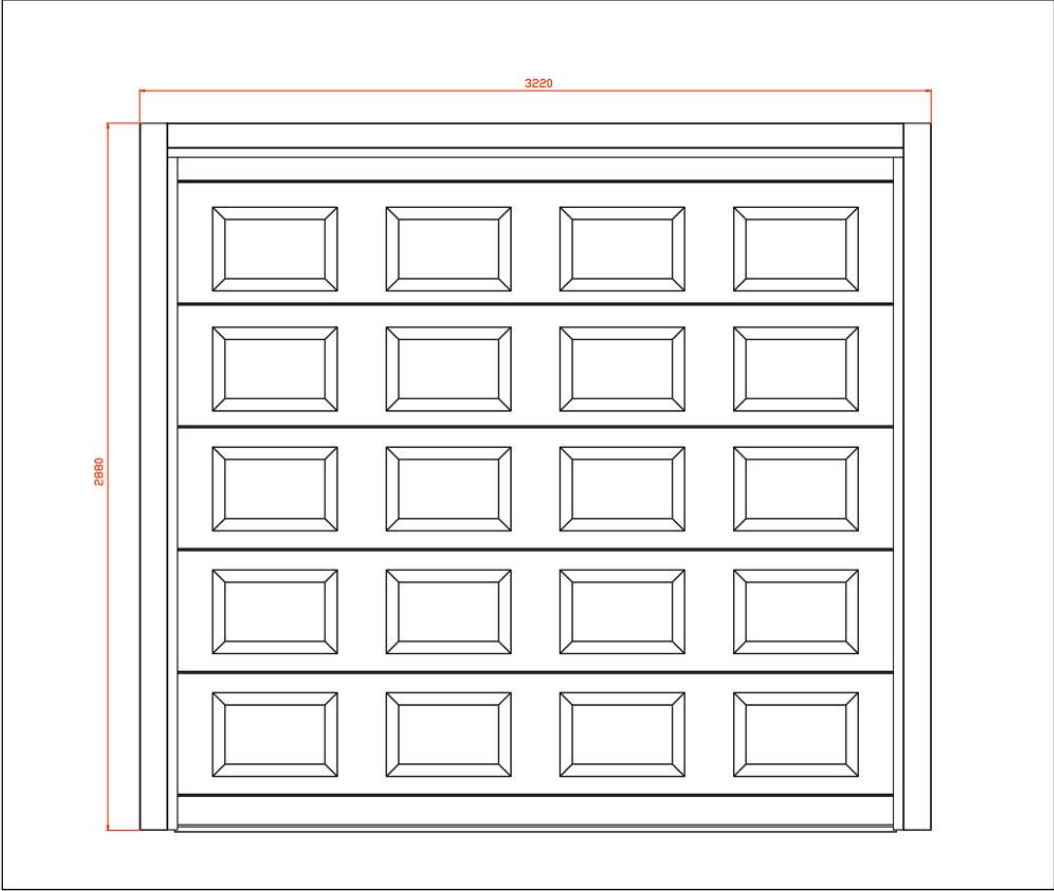
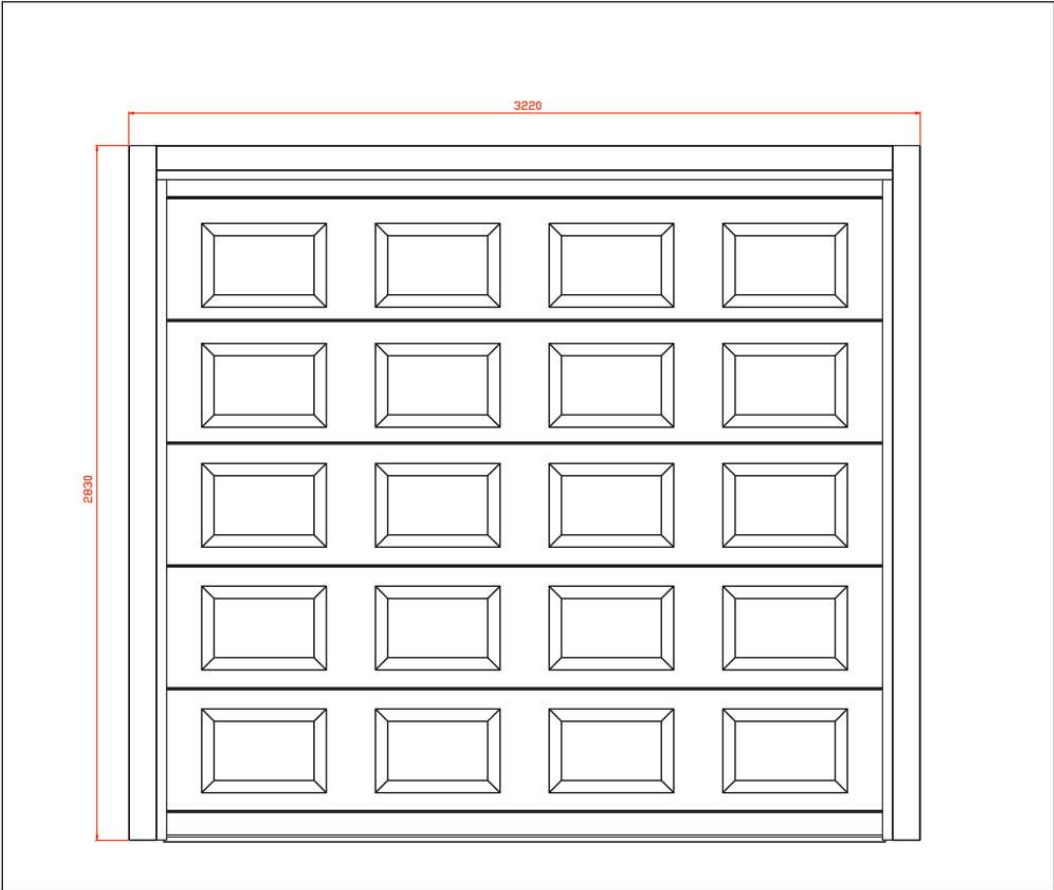
CONFIGURATIONS BY HEIGHT - MODEL BOX



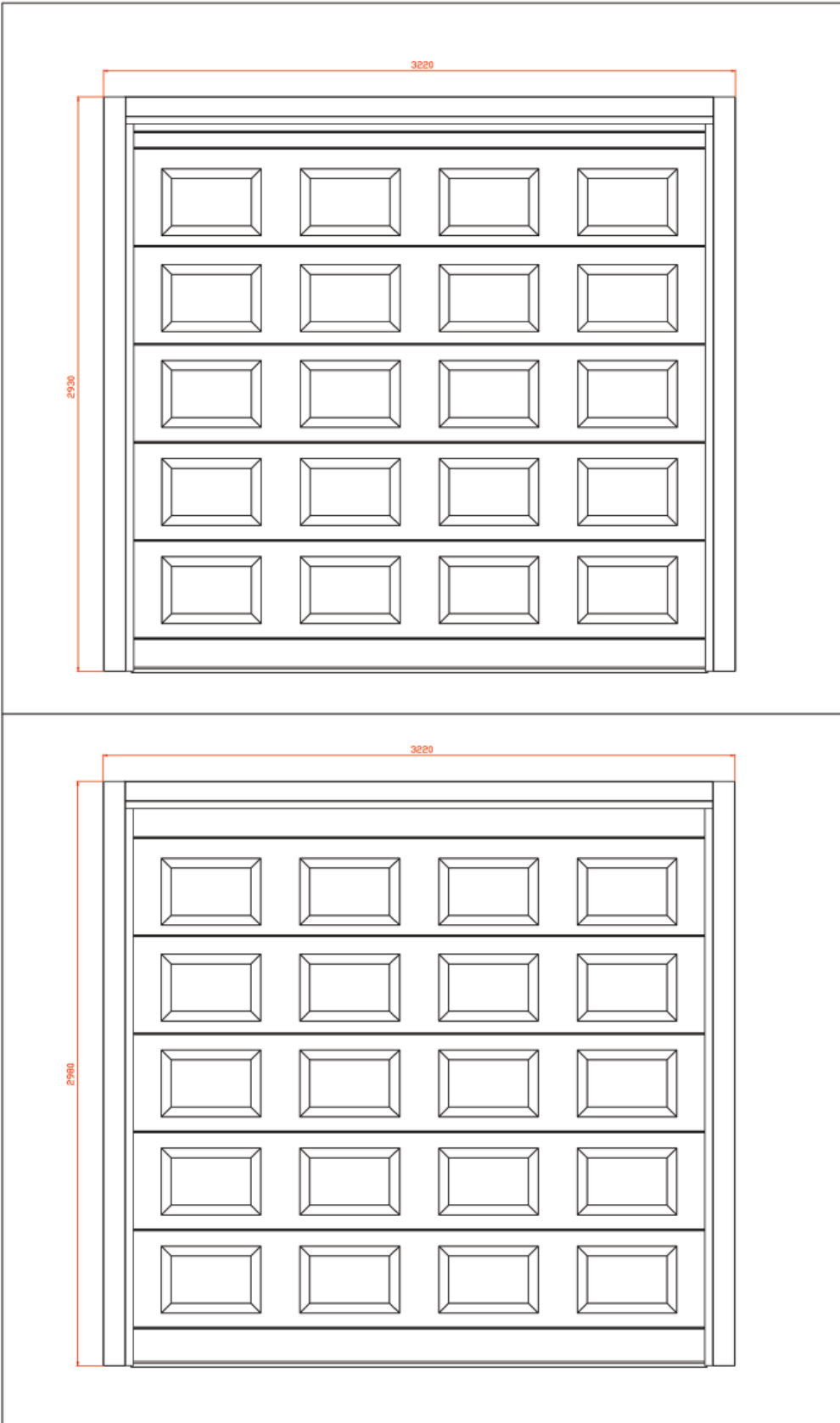
CONFIGURATIONS BY HEIGHT - MODEL BOX



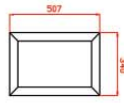
CONFIGURATIONS BY HEIGHT - MODEL BOX



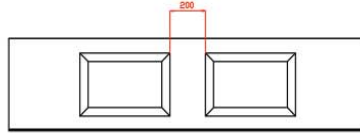
CONFIGURATIONS BY HEIGHT - MODEL BOX



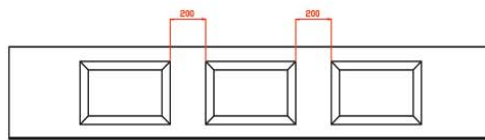
CONFIGURATIONS BY WIDTH - BOX



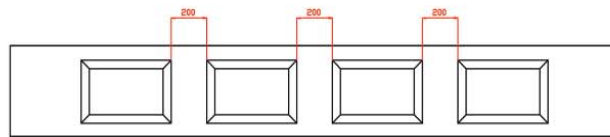
2020 - 2220 mm



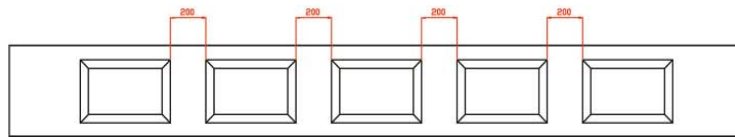
2270 - 2970 mm



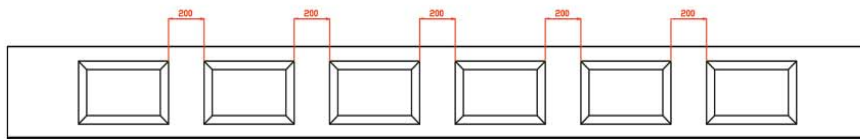
3020 - 3670 mm



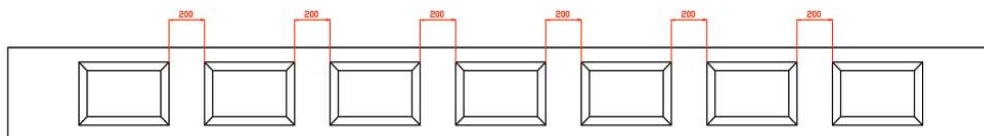
3720 - 4370 mm



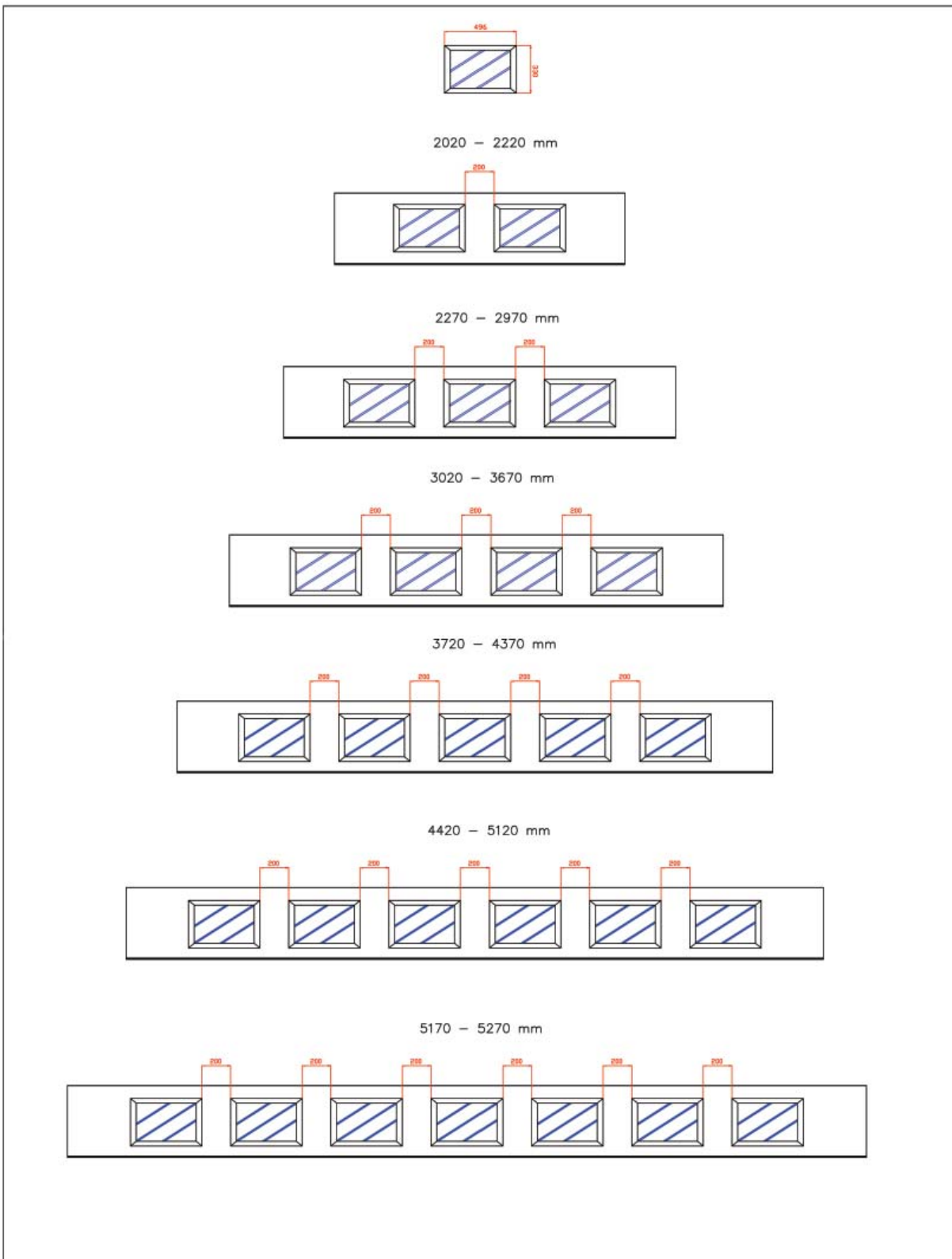
4420 - 5120 mm



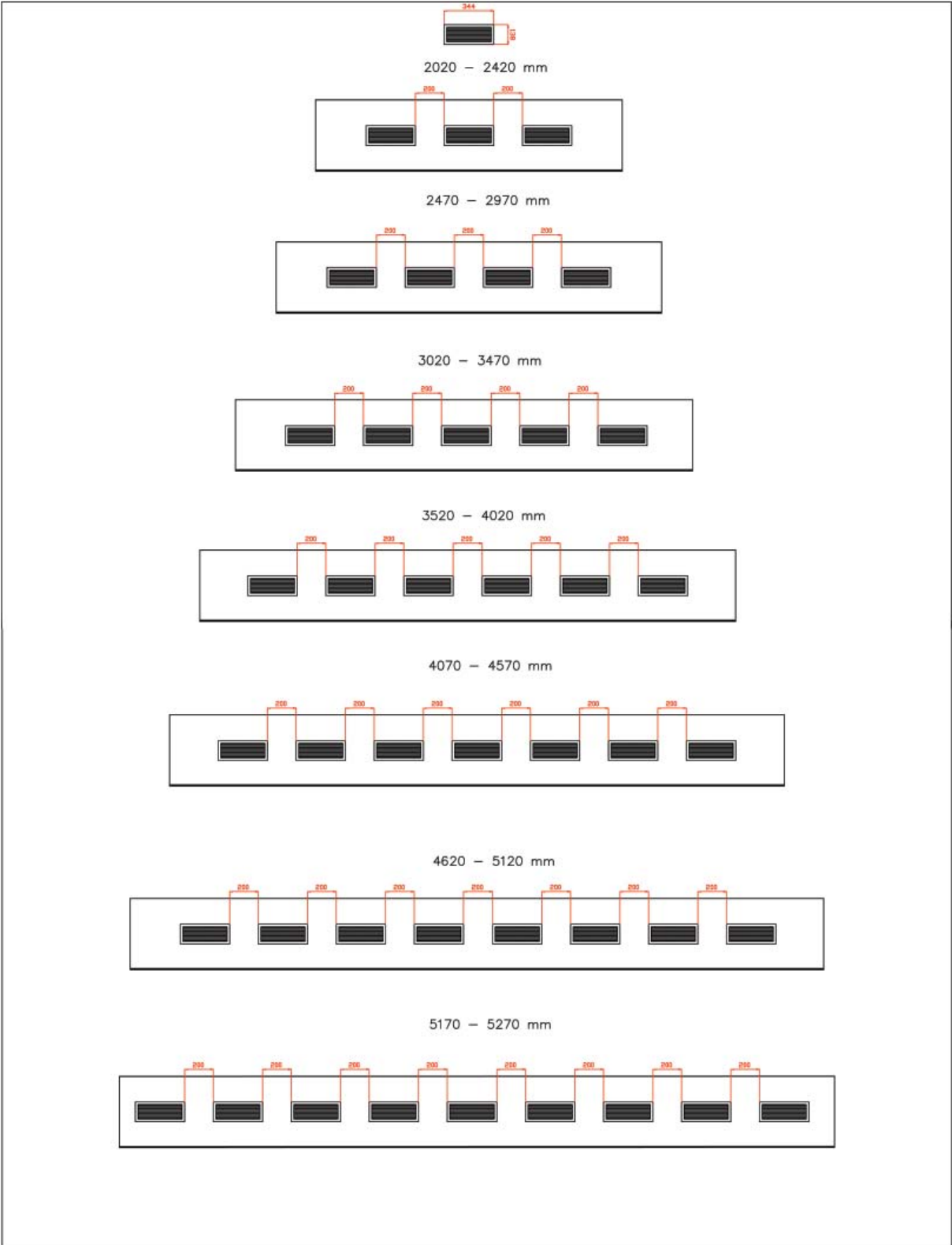
5170 - 5270 mm



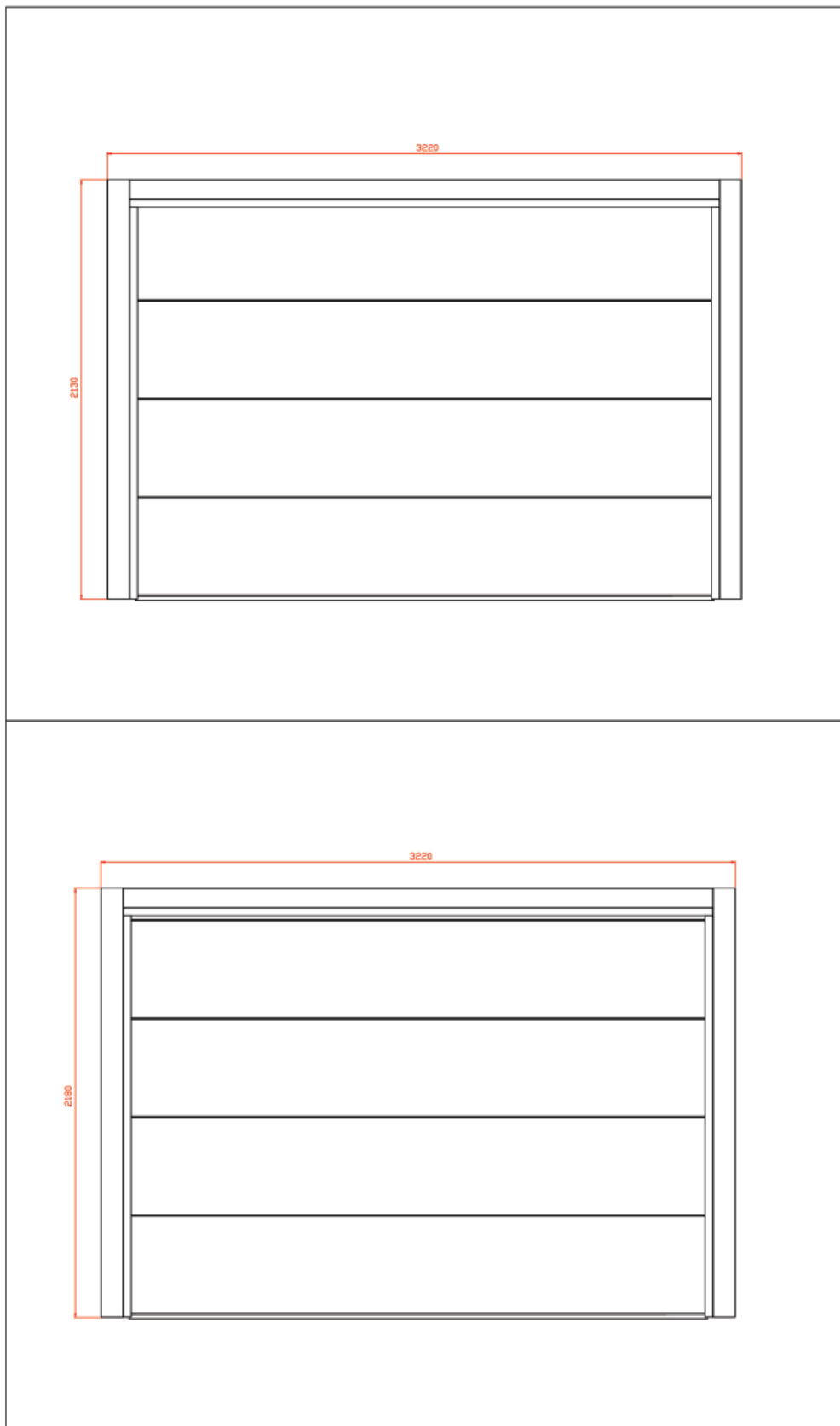
CONFIGURATIONS BY WIDTH - WINDOWS



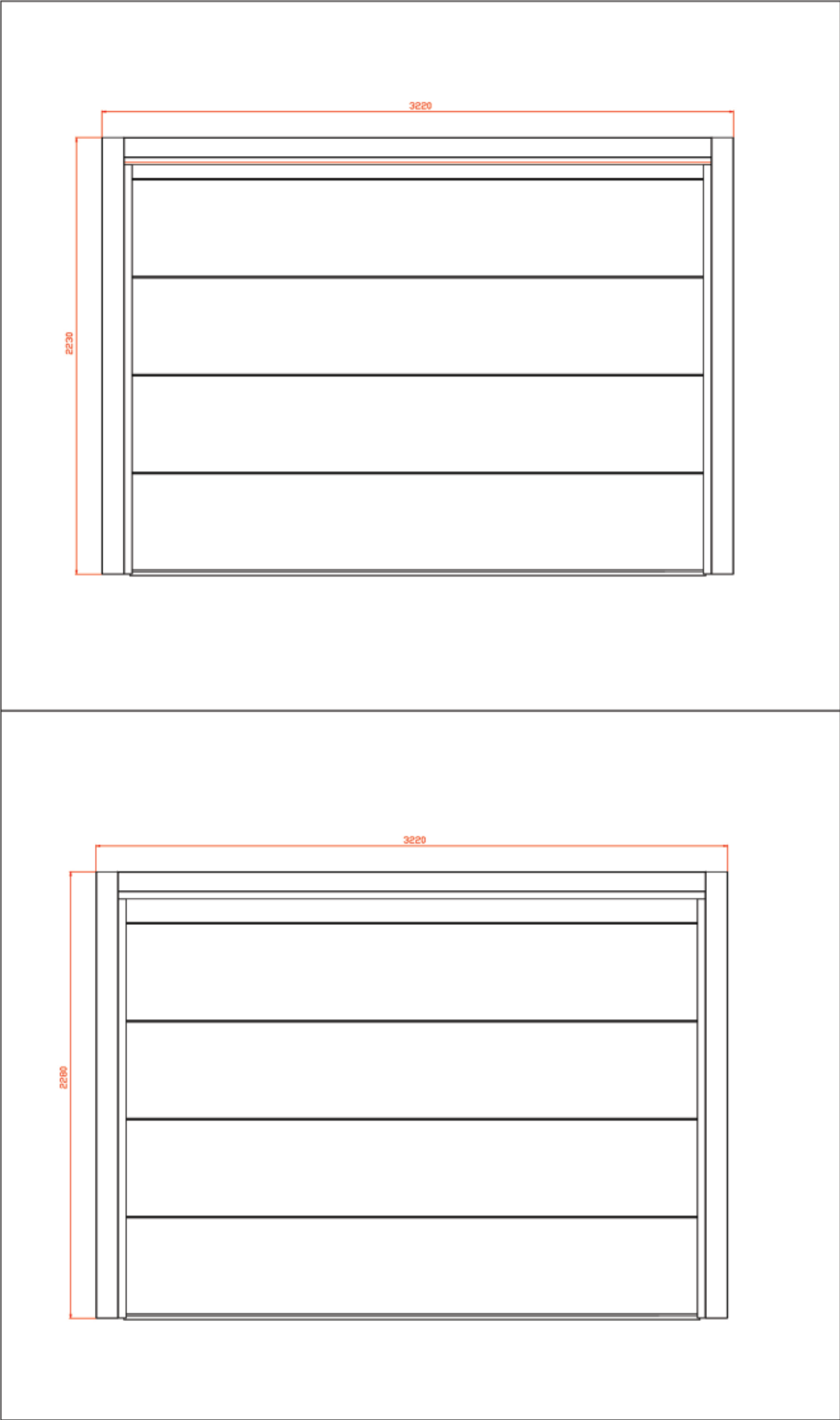
CONFIGURATIONS BY WIDTH - VENTILATION GRILLS



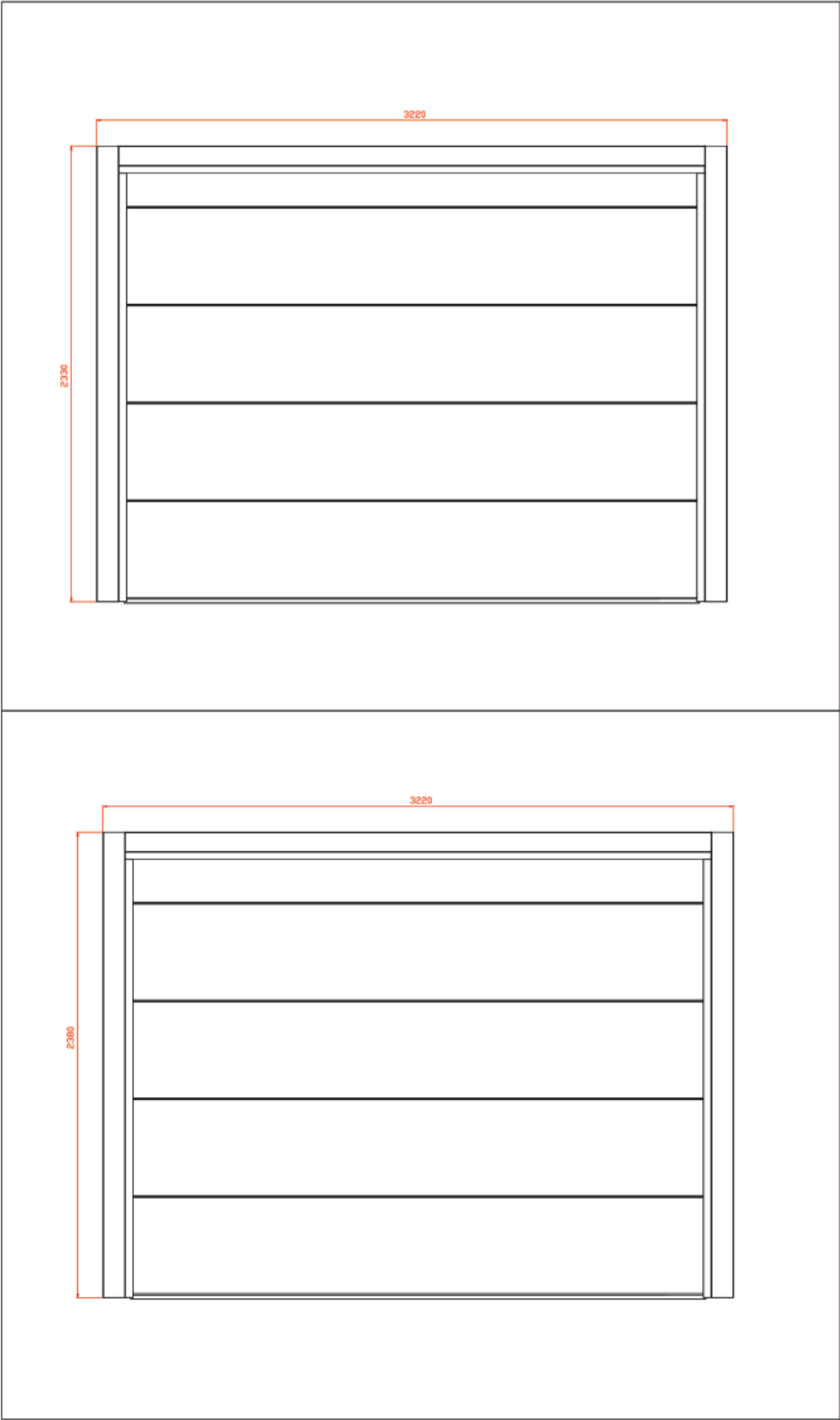
CONFIGURATIONS BY HEIGHT - MODEL AIR



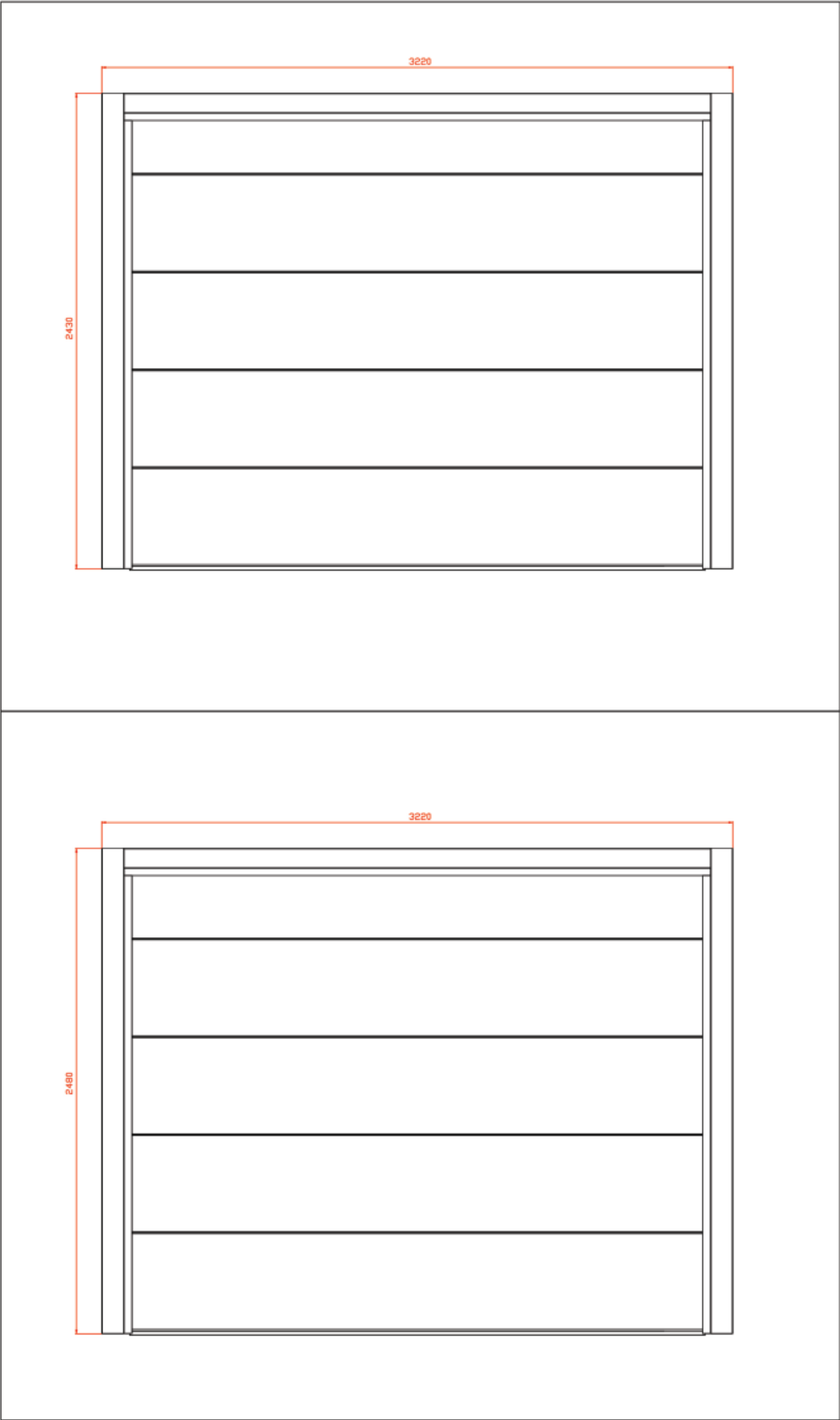
CONFIGURATIONS BY HEIGHT - MODEL AIR



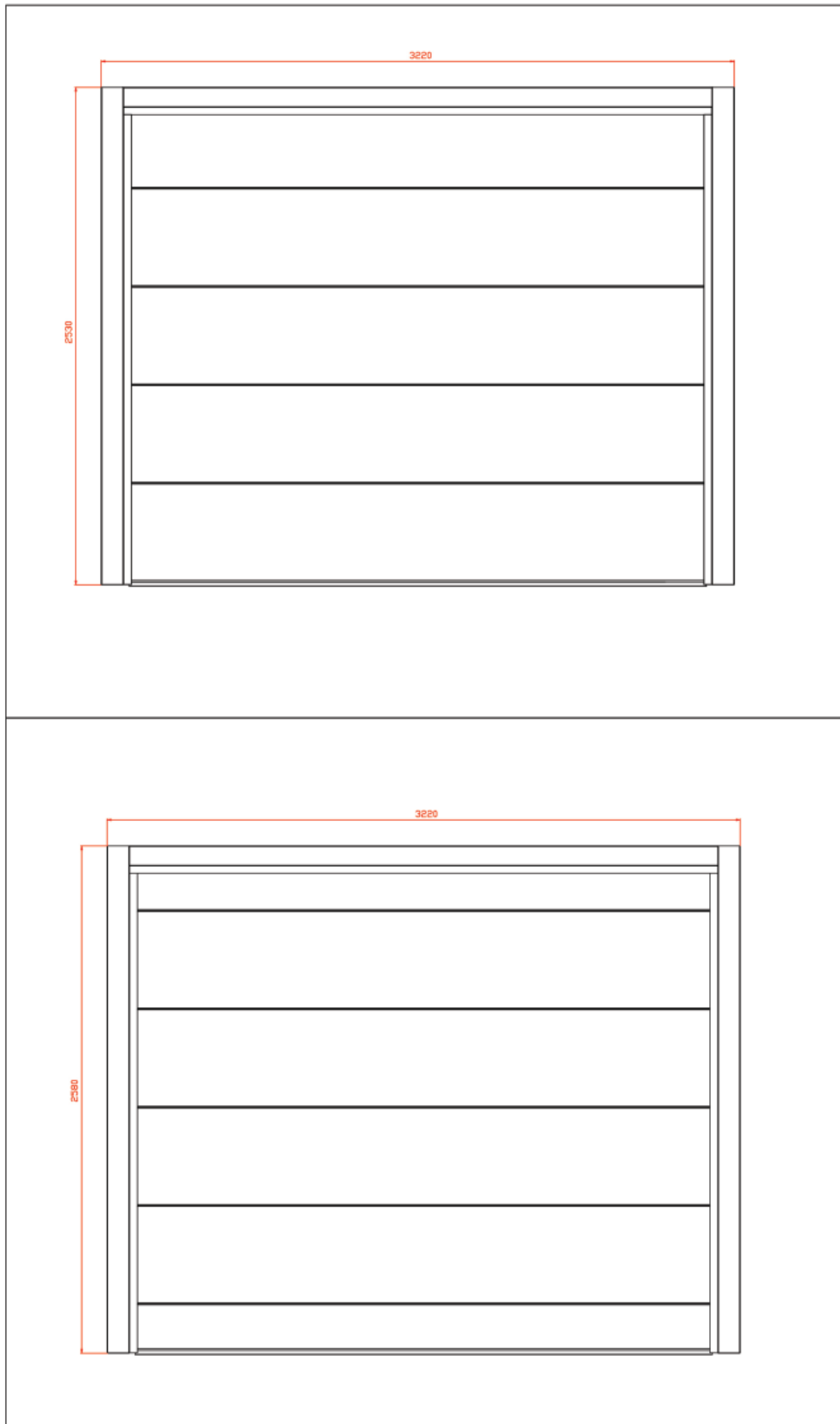
CONFIGURATIONS BY HEIGHT - MODEL AIR



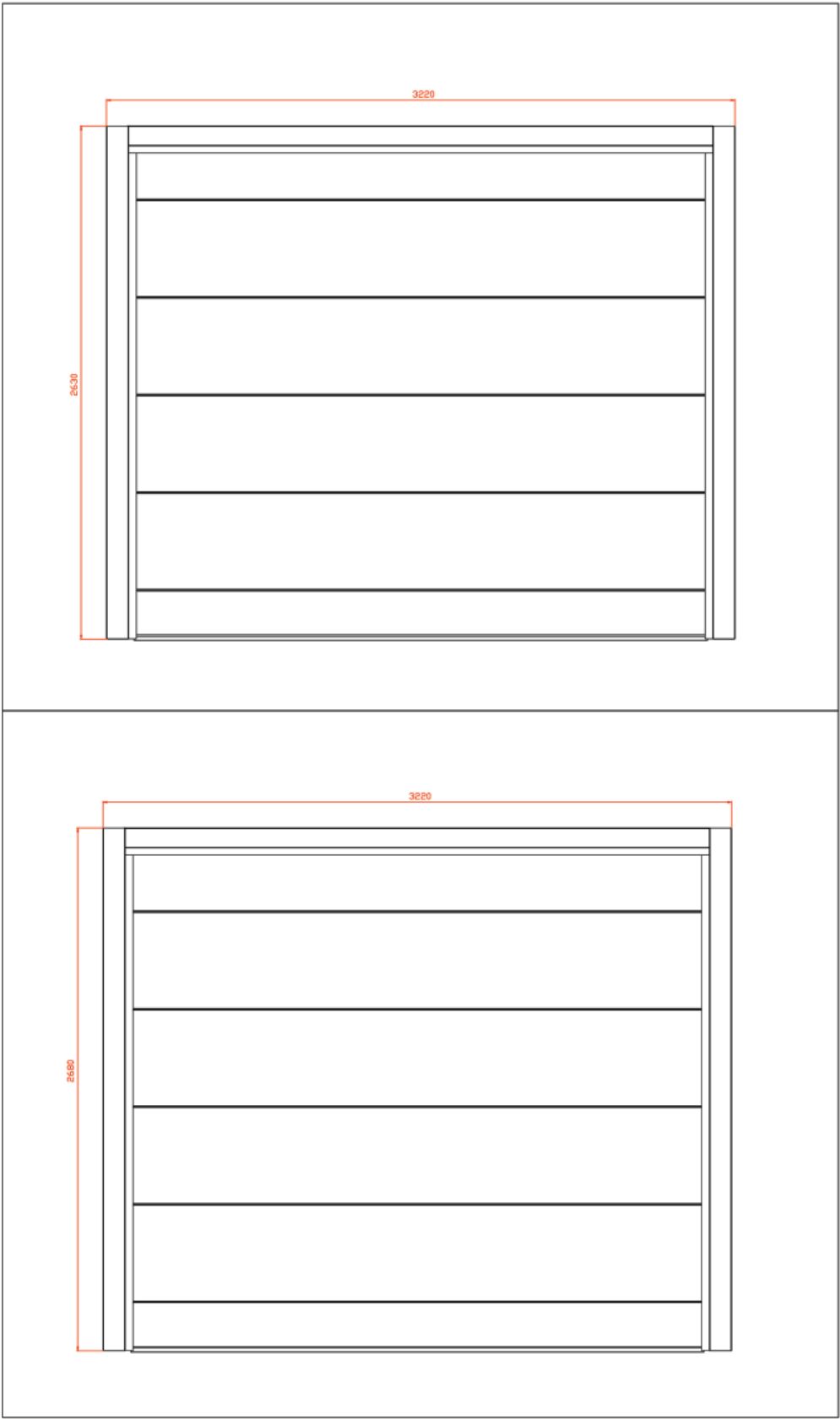
CONFIGURATIONS BY HEIGHT - MODEL AIR



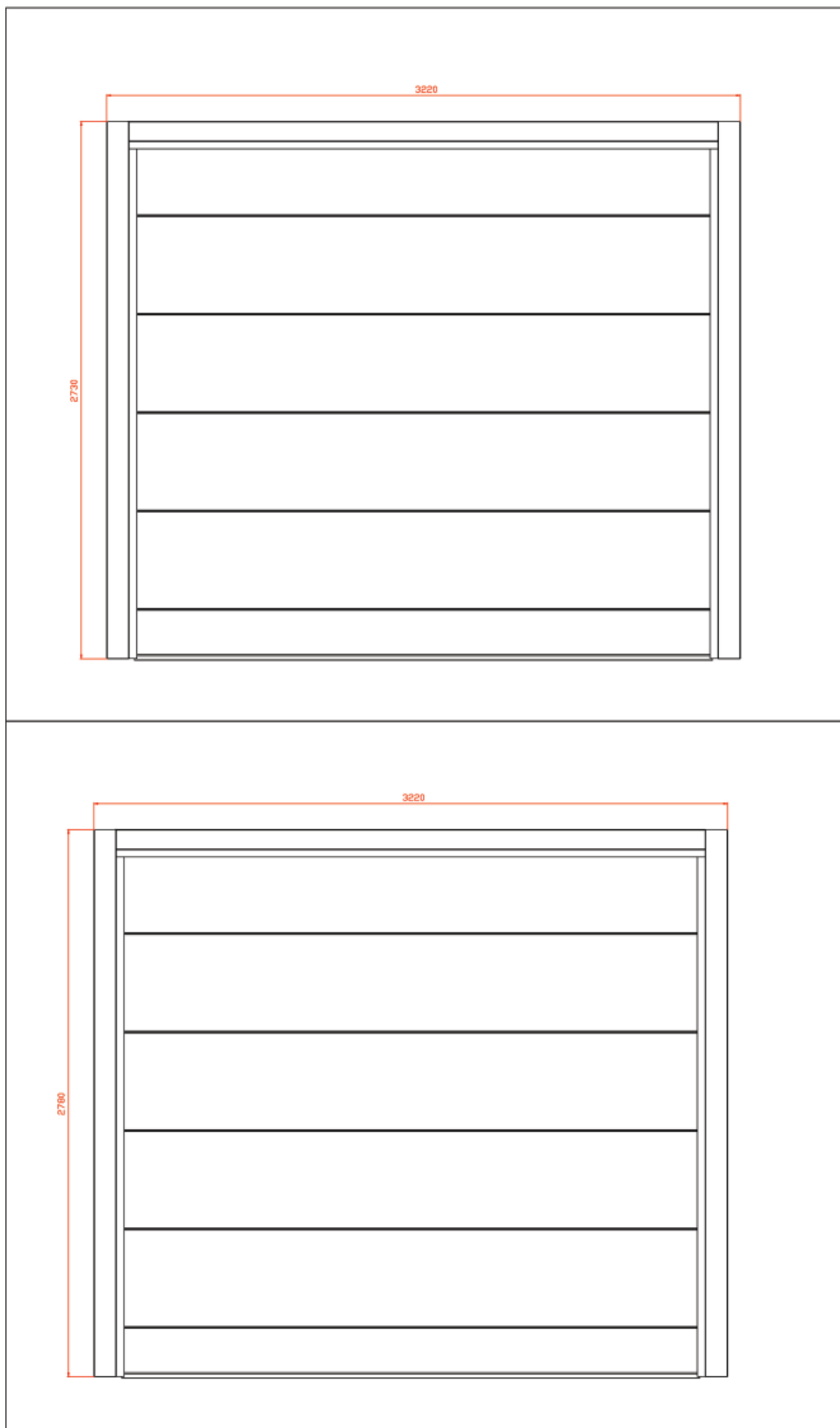
CONFIGURATIONS BY HEIGHT - MODEL AIR



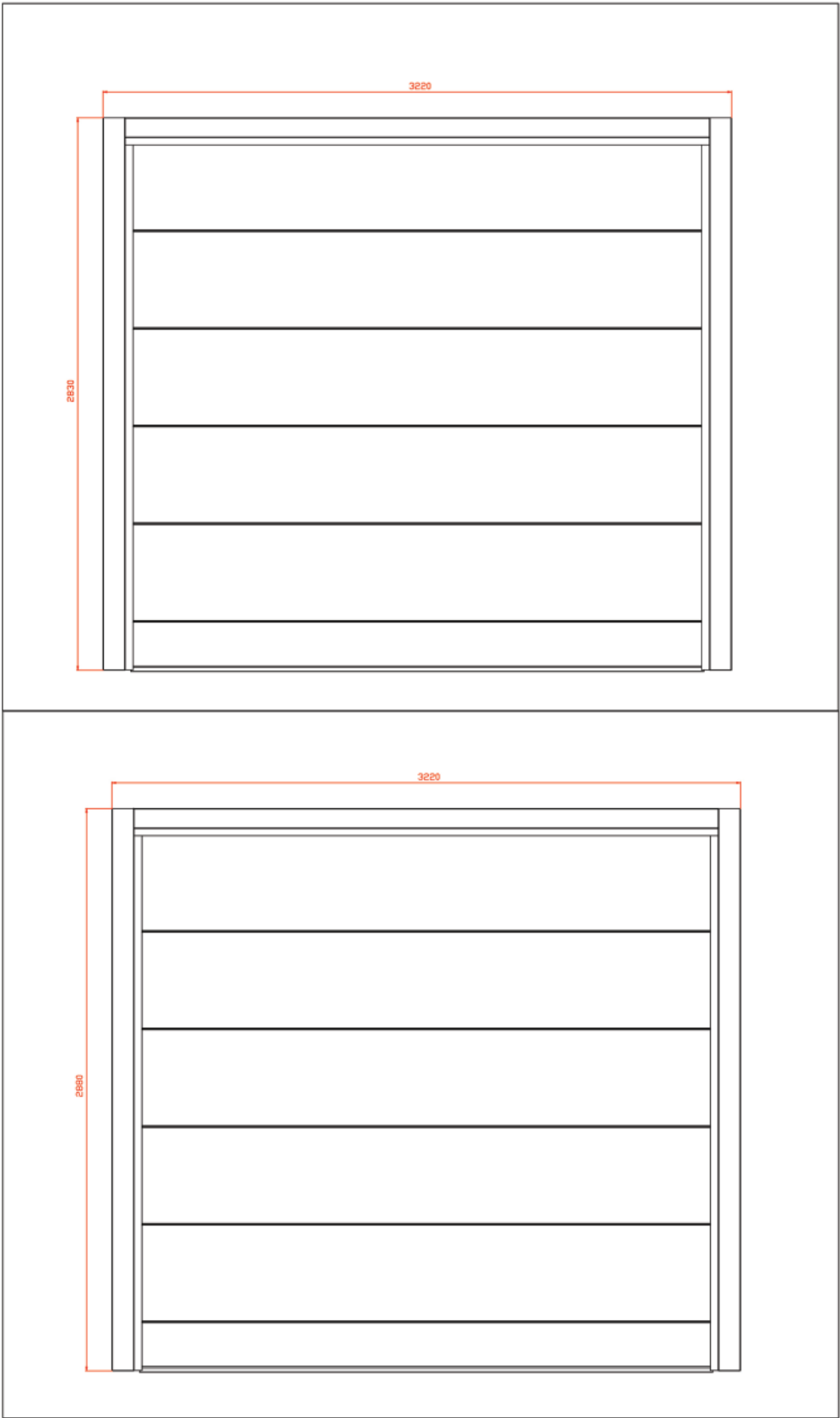
CONFIGURATIONS BY HEIGHT - MODEL AIR



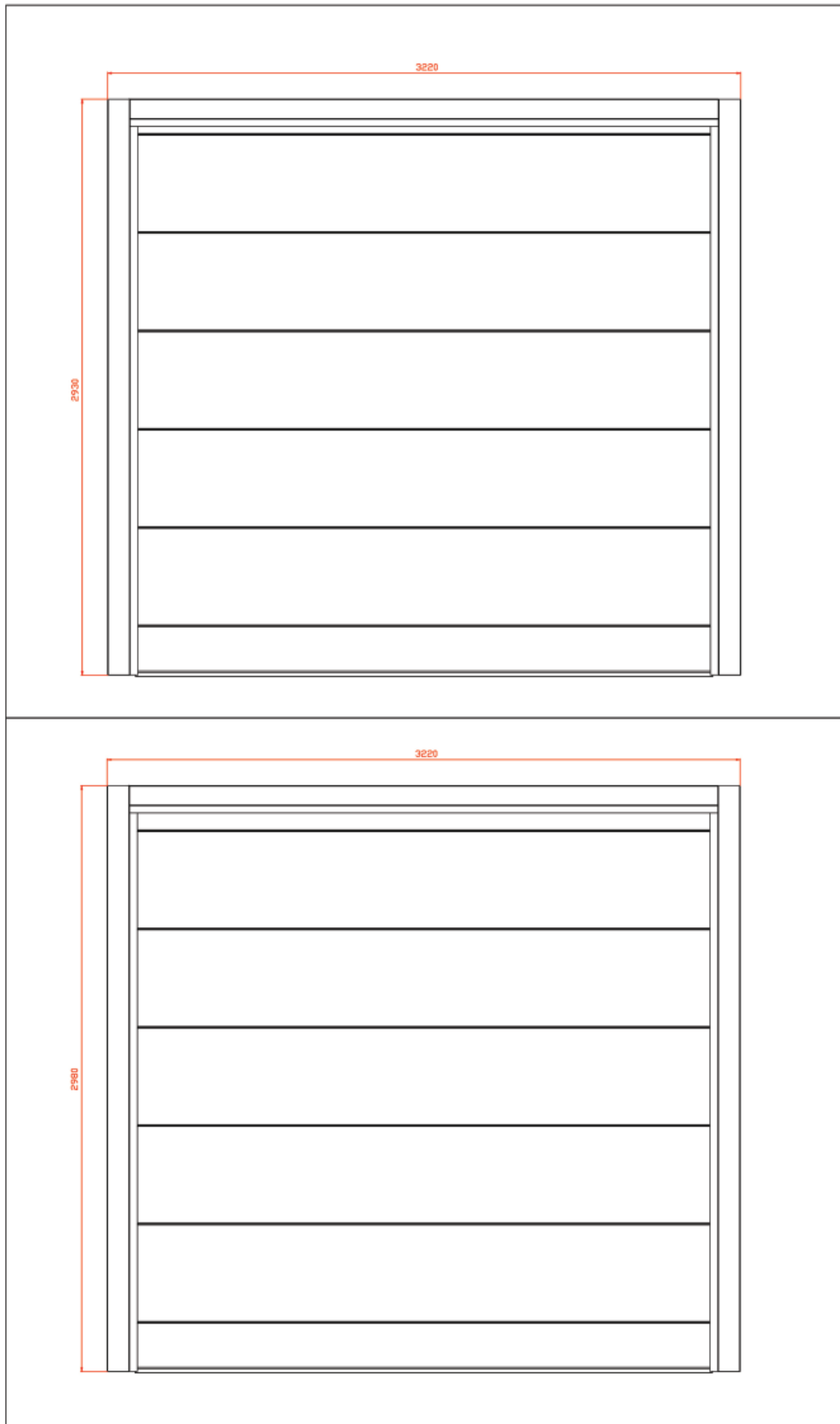
CONFIGURATIONS BY HEIGHT - MODEL AIR



CONFIGURATIONS BY HEIGHT - MODEL AIR



CONFIGURATIONS BY HEIGHT - MODEL AIR



DELTA OVERLAP S.R.L.

Legal Headquarter: Via Albertini 26, I-60131 Ancona (AN)
Production Site: Zona Industriale Loc. Porrara, I-83054 Sant' Angelo dei Lombardi (AV)

Tel. +39 (0)71 9033455
Fax +39 (0)71 9203459
sales@deltaoverlap.com

overlapgaragedoors.com
deltaoverlap.com

EN - Rev. 01/01/2016